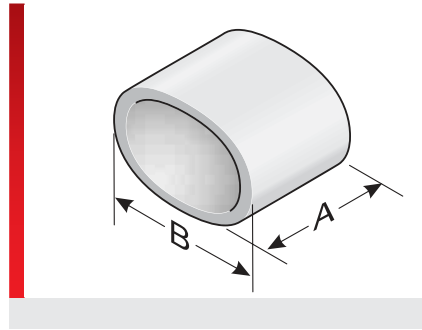
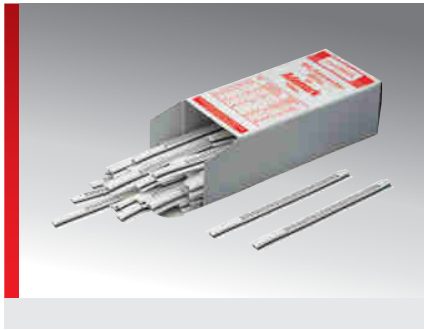


Idents BK 30 white



Single wire, cable, and conduit labelling

PRODUCT INFORMATION

Pre-inscribed murr-fix idents made from special PVC. The individual labels come on plastic strips, each containing 20 labels.

BK 30: Label width 3.0 mm (A); Label height 4.0 mm (B)
Font width 2.0 mm; font height 3.5 mm;
black lettering

Suitable for KT*- , KTH*- and KTH/Q* sleeves, as well as KM*- , KKM*- , KMH*- , KMH/Q*- and KTN* label holders.

Recommended tools to process idents (mounting frames, metal tab, metal hook) are listed in "Accessories".

SPECIFICATIONS

- Polyvinyl chloride (PVC)
- 30 – 80 °C
- V0
- Holder frame AK is recommended for mounting.
- MZ assembly aid, available in various sizes.



Type	Order No.	Colour	Pack qty.
Upper case letters			
A	86131211	White	1000
B	86131212	White	1000
C	86131213	White	1000
D	86131214	White	1000
E	86131215	White	1000
s	86131216	White	1000
G	86131217	White	1000
H	86131218	White	1000
I	86131219	White	1000
J	86131220	White	1000
K	86131221	White	1000
L	86131222	White	1000
M	86131223	White	1000
N	86131224	White	1000
O	86131225	White	1000
P	86131226	White	1000
Q	86131227	White	1000
R	86131228	White	1000
S	86131229	White	1000
T	86131230	White	1000
U	86131231	White	1000
V	86131232	White	1000
W	86131233	White	1000

Idents BK 30 white

Type	Order No.	Colour	Pack qty.
X	86131234	White	1000
Y	86131235	White	1000
Z	86131236	White	1000
Lower case letters			
a	86131237	White	1000
b	86131238	White	1000
c	86131239	White	1000
d	86131240	White	1000
e	86131241	White	1000
f	86131242	White	1000
g	86131243	White	1000
h	86131244	White	1000
i	86131245	White	1000
j	86131246	White	1000
k	86131247	White	1000
l	86131248	White	1000
m	86131249	White	1000
n	86131250	White	1000
o	86131251	White	1000
p	86131252	White	1000
q	86131253	White	1000
r	86131254	White	1000
s	86131255	White	1000
t	86131256	White	1000
u	86131257	White	1000
v	86131258	White	1000
w	86131259	White	1000
x	86131260	White	1000
y	86131261	White	1000
z	86131262	White	1000
Numbers			
0	86131210	White	1000
1	86131278	White	1000
2	86131279	White	1000
3	86131280	White	1000
4	86131281	White	1000
5	86131282	White	1000
6	86131283	White	1000
7	86131284	White	1000
8	86131285	White	1000
9	86131286	White	1000
Signs			
+	86131264	White	1000

Single wire, cable, and conduit labelling

Idents BK 30 white

Type	Order No.	Colour	Pack qty.
-	86131265	White	1000
/	86131266	White	1000
=	86131267	White	1000
.	86131268	White	1000
*	86131269	White	1000
:	86131270	White	1000
Special characters			
Left arrow	86131271	White	1000
Right arrow	86131272	White	1000
AC voltage	86131273	White	1000
Earthing symbol	86131274	White	1000
Star connection	86131275	White	1000
Delta connection	86131276	White	1000
Blank space			
Blank	86131277	White	1000
Font colours red, yellow, green, brown, as well as special characters upon request			

MATERIAL PROPERTIES

 Polyvinyl chloride (PVC)


THERMAL PROPERTIES

 **Temperature / temperature range**
-30 – 80 °C

FIRE BEHAVIOUR

 **Fire classification**
V0

GENERAL TECHNICAL DATA

 Holder frame AK is recommended for mounting.

 MZ assembly aid, available in various sizes.

Single wire, cable, and conduit labelling

Idents BK 30 white

INSTALLATION METHOD



Sleeve system



Cable tie system with sleeves



Clamping system



Self-clamping system

LABELLING TECHNOLOGY



idents

All details given in our sales material prospectuses and catalogues as well as the information available online are based on our current knowledge of the products described.

The electronic data and files made available by Murrplastik, particularly CAD files are based on our current knowledge of the product described.

A legally binding assurance of certain properties or the suitability for a certain purpose can not be determined from this information.

All information with respect to the chemical and physical properties of Murrplastik products as well as application advice given verbally, in writing or by tests, is given to the best of our knowledge.

This does not free the purchaser of carrying out their own inspections and tests in order to determine the suitability of a product for a specific purpose.

Murrplastik accepts no responsibility for the available information being up-to-date, correct or complete. Neither do we accept responsibility for the quality of this information.

Murrplastik accepts no liability for damage caused as a result of using our products.

Murrplastik reserves the right to make technical changes and improvements through constant further development of products and services.

Our General Terms and Conditions apply.

© Murrplastik Systemtechnik GmbH • proID_60419~20170822~890286~acs_mod_bk_30_ws