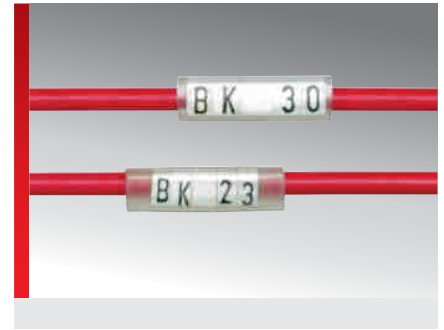
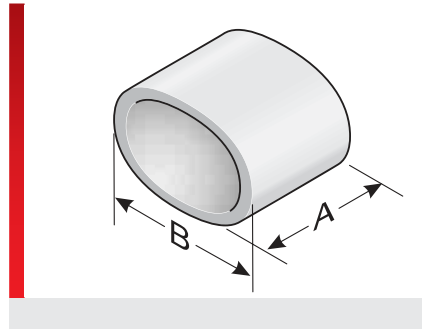
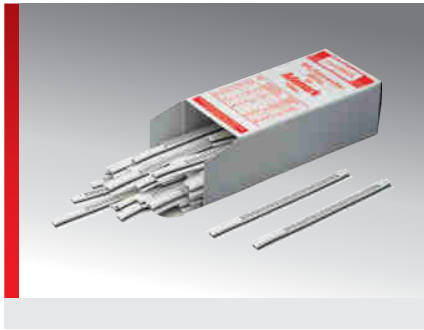


Idents BK 23 white



Single wire, cable, and conduit labelling

PRODUCT INFORMATION

Pre-inscribed murr-fix idents made from special PVC. The individual labels come on plastic strips, each containing 20 labels.

BK 23: Label width 2.3 mm (A); Label height 4.0 mm (B)
Font width 1.6 mm; font height 3.5 mm;
black lettering

Suitable for KT*- , KTH*- and KTH/Q* sleeves, as well as KM*- , KKM*- , KMH*- , KMH/Q*- and KTN* label holders.

Recommended tools to process idents (mounting frames, metal tab, metal hook) are listed in "Accessories".

SPECIFICATIONS

- Polyvinyl chloride (PVC)
- 30 – 80 °C
- V0
- Holder frame AK is recommended for mounting.
- MZ assembly aid, available in various sizes.

Type	Order No.	Colour	Pack qty.
Upper case letters			
A	86131811	White	1000
B	86131812	White	1000
C	86131813	White	1000
D	86131814	White	1000
E	86131815	White	1000
s	86131816	White	1000
G	86131817	White	1000
H	86131818	White	1000
I	86131819	White	1000
J	86131820	White	1000
K	86131821	White	1000
L	86131822	White	1000
M	86131823	White	1000
N	86131824	White	1000
O	86131825	White	1000
P	86131826	White	1000
Q	86131827	White	1000
R	86131828	White	1000
S	86131829	White	1000
T	86131830	White	1000
U	86131831	White	1000
V	86131832	White	1000
W	86131833	White	1000

Idents BK 23 white


Single wire, cable, and conduit labelling

Type	Order No.	Colour	Pack qty.
X	86131834	White	1000
Y	86131835	White	1000
Z	86131836	White	1000
Lower case letters			
a	86131837	White	1000
b	86131838	White	1000
c	86131839	White	1000
d	86131840	White	1000
e	86131841	White	1000
f	86131842	White	1000
g	86131843	White	1000
h	86131844	White	1000
i	86131845	White	1000
j	86131846	White	1000
k	86131847	White	1000
l	86131848	White	1000
m	86131849	White	1000
n	86131850	White	1000
o	86131851	White	1000
p	86131852	White	1000
q	86131853	White	1000
r	86131854	White	1000
s	86131855	White	1000
t	86131856	White	1000
u	86131857	White	1000
v	86131858	White	1000
w	86131859	White	1000
x	86131860	White	1000
y	86131861	White	1000
z	86131862	White	1000
Numbers			
0	86131810	White	1000
1	86131877	White	1000
2	86131878	White	1000
3	86131879	White	1000
4	86131880	White	1000
5	86131881	White	1000
6	86131882	White	1000
7	86131883	White	1000
8	86131884	White	1000
9	86131885	White	1000
Signs			
+	86131863	White	1000

Idents BK 23 white

Type	Order No.	Colour	Pack qty.
-	86131864	White	1000
/	86131865	White	1000
=	86131866	White	1000
.	86131867	White	1000
*	86131868	White	1000
:	86131869	White	1000
Special characters			
Left arrow	86131870	White	1000
Right arrow	86131871	White	1000
AC voltage	86131872	White	1000
Earthing symbol	86131873	White	1000
Star connection	86131874	White	1000
Delta connection	86131875	White	1000
Blank space			
Blank	86131876	White	1000
Font colours red, yellow, green, brown, as well as special characters upon request			

MATERIAL PROPERTIES

 Polyvinyl chloride (PVC)


THERMAL PROPERTIES


 **Temperature / temperature range**
-30 – 80 °C

FIRE BEHAVIOUR

 **Fire classification**
V0

GENERAL TECHNICAL DATA

 Holder frame AK is recommended for mounting.

 MZ assembly aid, available in various sizes.

Single wire, cable, and conduit labelling

Idents BK 23 white

INSTALLATION METHOD



Sleeve system



Cable tie system with sleeves



Clamping system



Self-clamping system

LABELLING TECHNOLOGY



idents

All details given in our sales material prospectuses and catalogues as well as the information available online are based on our current knowledge of the products described.

The electronic data and files made available by Murrplastik, particularly CAD files are based on our current knowledge of the product described.

A legally binding assurance of certain properties or the suitability for a certain purpose can not be determined from this information.

All information with respect to the chemical and physical properties of Murrplastik products as well as application advice given verbally, in writing or by tests, is given to the best of our knowledge.

This does not free the purchaser of carrying out their own inspections and tests in order to determine the suitability of a product for a specific purpose.

Murrplastik accepts no responsibility for the available information being up-to-date, correct or complete. Neither do we accept responsibility for the quality of this information.

Murrplastik accepts no liability for damage caused as a result of using our products.

Murrplastik reserves the right to make technical changes and improvements through constant further development of products and services.

Our General Terms and Conditions apply.

© Murrplastik Systemtechnik GmbH • proID_60265~20170823~890286~acs_mod_bk_23_ws