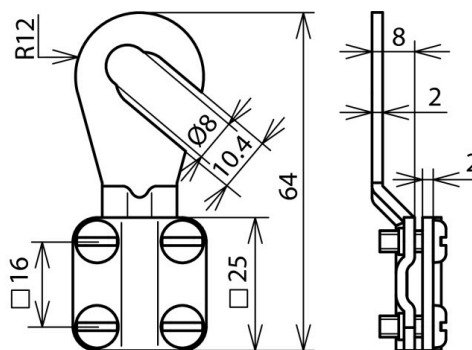


**EKSO 8.10 AQ6 16 CUGALZN (444 010)**



Figure without obligation



| Type  | EKSO 8.10 AQ6 16 CUGALZN |
|---|--------------------------|
| Part No.                                      | 444 010                  |
| Cable cross section                           | 6-16 mm <sup>2</sup>     |
| Cable lug fitting                             | M8 / M10                 |
| Material                                      | Cu/gal Sn                |
| Screw   | ⬆ M4 x 10 mm             |
| Material of screw                             | St/gal Zn                |
| Certification                                 | according to VG 95 211   |
| Certification document                        | K17/96 170               |
| Weight  | 34 g                     |
| Customs tariff number (Comb. Nomenclature EU) | 85389099                 |
| Stock No.                                     | 5940-12-152-3867         |
| GTIN  | 4013364029316            |
| PU  | 100 pc(s)                |

We reserve the right to introduce changes in performance, configuration and technology, dimensions, weights and materials in the course of technical progress. The figures are shown without obligation.

Packing in accordance with specifications of the VG standards (defence equipment standards) must be explicitly indicated when ordering.