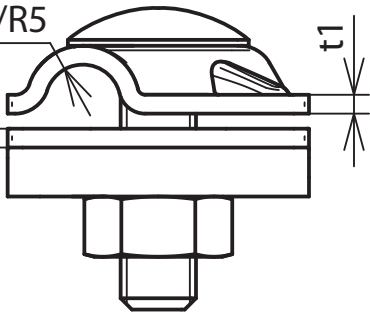


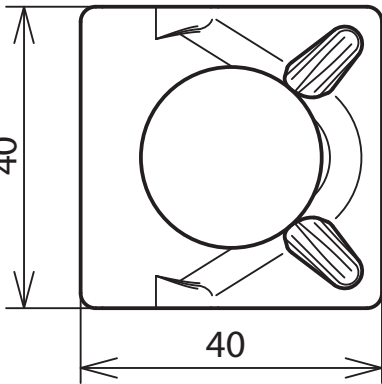
R4/R4.5/R5

t1



t1

40



40