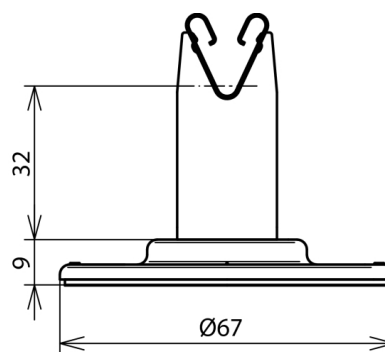


DLH DG 8 H32 KP67 V2A K GR (297 120)



Figure without obligation



| Type | DLH DG 8 H32 KP67 V2A K GR |
|---|----------------------------|
| Part No. | 297 120 |
| Material of roof conductor holder | plastic |
| Colour of roof conductor holder | grey |
| Material of conductor holder | StSt |
| Conductor support Rd | 8 mm |
| Type of conductor holder | DEHNgrip |
| Height of conductor holder | 32 mm |
| Female thread | M6 |
| Conductor routing | loose |
| Dimensions | Ø67 mm |
| Adherend | 3000 mm ² |
| Tensile strength | 1770 N |
| Transverse resistance (dynamic) | 1440 N |
| Standard | EN 62561-4 |
| Weight | 40 g |
| Customs tariff number (Comb. Nomenclature EU) | 85389099 |
| GTIN | 4013364100916 |
| PU | 50 pc(s) |

We reserve the right to introduce changes in performance, configuration and technology, dimensions, weights and materials in the course of technical progress. The figures are shown without obligation.