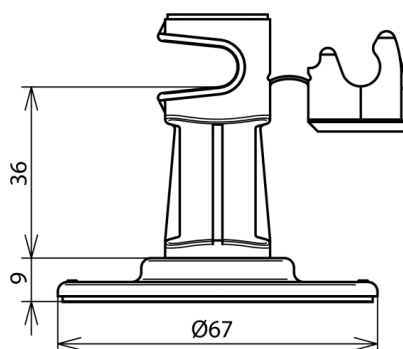


DLH DS 8 H36 KP67 K GR (297 110)



Figure without obligation



Type	DLH DS 8 H36 KP67 K GR
Part No.	297 110
Material of roof conductor holder	plastic
Colour of roof conductor holder	grey •
Material of conductor holder	plastic
Conductor support Rd	8 mm
Type of conductor holder	DEHNSnap
Height of conductor holder	36 mm
Colour of conductor holder	grey •
Female thread	M6
Conductor routing	loose
Dimensions	Ø67 mm
Adherend	3000 mm ²
Tensile strength	1770 N
Transverse resistance (dynamic)	1440 N
Weight	32 g
Customs tariff number (Comb. Nomenclature EU)	85389099
GTIN	4013364100886
PU	50 pc(s)

We reserve the right to introduce changes in performance, configuration and technology, dimensions, weights and materials in the course of technical progress. The figures are shown without obligation.