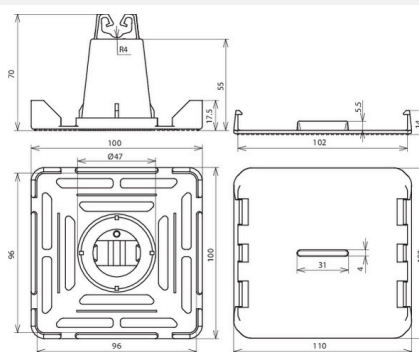


DLH KF 8 LO DBS 110X100X70 SW (253 030)



Figure without obligation



| Type | DLH KF 8 LO DBS 110X100X70 SW |
|---|--|
| Part No. | 253 030 |
| Component protection | German Patent No. 44 26 404.6 |
| Conductor routing | loose |
| Material of conductor holder | plastic |
| Colour of conductor holder | black • |
| Conductor support Rd | 8 mm |
| Dimensions | 110 x 100 x 75 mm |
| Application note | for flat roofs with plastic, sealing or flat roofing sheets |
| Fixing possibility | to clamp in roofing sheet stripes (approx. 300 x 90 mm) up to 2.5 mm (not included in delivery) which are welded or adhered with the roof foil on site |
| Weight | 58 g |
| Customs tariff number (Comb. Nomenclature EU) | 85389099 |
| GTIN | 4013364054271 |
| PU | 100 pc(s) |

Separate plastic upper part for type KF (Part No. 253 016) is available upon request.

We reserve the right to introduce changes in performance, configuration and technology, dimensions, weights and materials in the course of technical progress. The figures are shown without obligation.