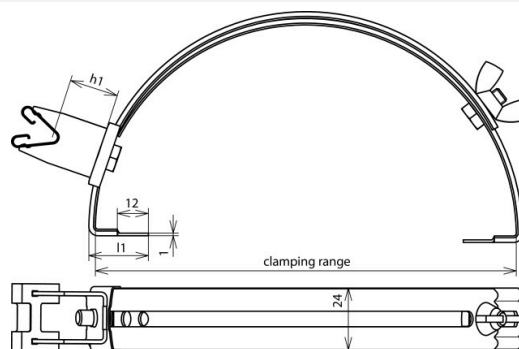


DLH DG 8 H32 FG180.280 KK GALCU (206 817)



Figure without obligation



Type	DLH DG 8 H32 FG180.280 KK GALCU
Part No.	206 817
Material of roof conductor holder	Cu
Clamping range	180-280 mm
Height of conductor holder (h1)	32 mm
Material of conductor holder	Cu
Conductor support Rd	8 mm
Length of clamping claw	15 mm
Type of conductor holder	DEHNgrip
Conductor routing	loose
Female thread	M6
Standard	EN 62561-4
Weight	122 g
Customs tariff number (Comb. Nomenclature EU)	85389099
GTIN	4013364078581
PU	25 pc(s)

We reserve the right to introduce changes in performance, configuration and technology, dimensions, weights and materials in the course of technical progress. The figures are shown without obligation.