



**WB D40.50 V150.200 V2A (105 344)**

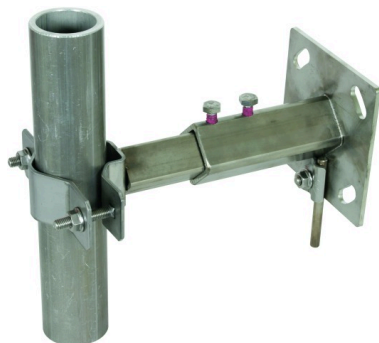
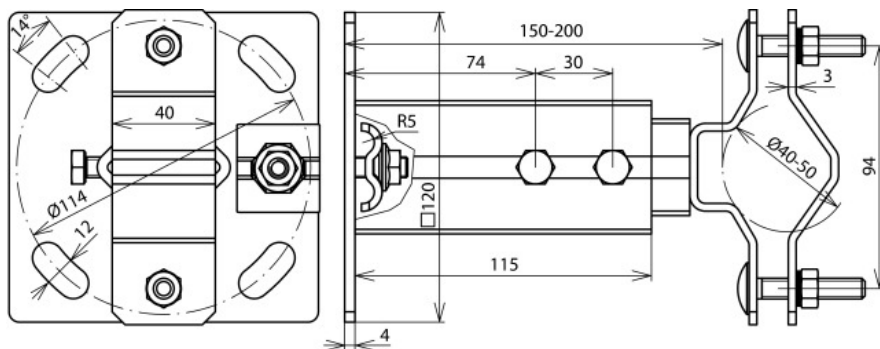


Figure without obligation



Wall mounting bracket, adjustable from 150 to 200 mm, for air-termination rods D40, DEHNcon-H or DEHNiso Combi supporting tubes, with double clamp for connecting 2x Rd 8-10 mm.

Type	WB D40.50 V150.200 V2A
Part No.	105 344
Material	StSt
Fixing	[4x] 12 x 26 mm
Distance from wall	150-200 mm
Clamping range Rd	8-10 mm
Clamping range for air-termination rod	40-50 mm
Material of screw	StSt
Standard	EN 62561-1
Weight	1,52 kg
Customs tariff number (Comb. Nomenclature EU)	85389099
GTIN	4013364147300
PU	1 pc(s)

We reserve the right to introduce changes in performance, configuration and technology, dimensions, weights and materials in the course of technical progress. The figures are shown without obligation.