

## PAS EX R (472 498)

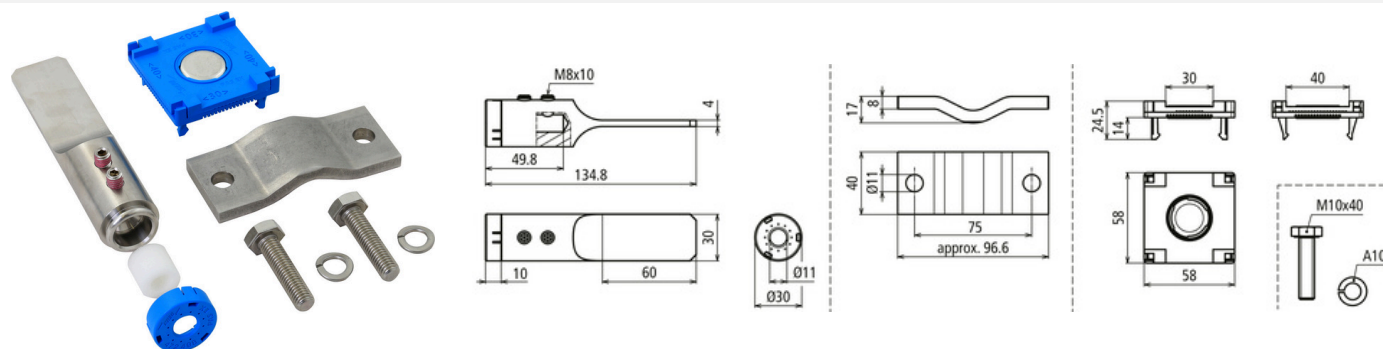


Figure without obligation

Adapter for non-sparking Ex equipotential bonding bar PAS EX for connecting a round conductor. For use in potentially explosive areas of Ex zones 1 and 2 (gases, vapours, mists) up to explosion group IIC as well as Ex zones 21 and 22 (dusts). Both indoor and outdoor installation permissible.

Type	PAS EX R
Part No.	472 498 <span style="font-size: small;">NEW</span>
Screw material	StSt
Spring washer material	StSt
Rd adapter material	StSt
Saddle clamp material	StSt
Material No.	1.4301 / 1.4303
Screws	● M10 x 40 mm
Screw type	with spring washer
Lightning impulse current (10/350 µs) StSt (V4A) Ø10 mm	NExIIC 50 kA (non-sparking) T4
Lightning impulse current (10/350 µs) StSt (V4A) Ø10 mm	75 kA
Lightning impulse current (10/350 µs) St/tZn Ø10 mm	2HEXIIIC 75 kA (non-sparking) T4
Lightning impulse current (10/350 µs) St/tZn Ø10 mm	H 100 kA
Max. short-circuit current (AC 50 Hz / DC / 5 s) StSt (V4A) Ø10 mm	650 A / T4
Max. short-circuit current (AC 50 Hz / DC / 5 s) St/tZn Ø10 mm	1000 A / T4
Max. surface temperature T4	135 °C
Weight	756 g
Customs tariff number (Comb. Nomenclature EU)	85389099
GTIN	4013364476042
PU	1 pc(s)

Note: Non-sparking only ensured in connection with PAS EX ...!

We reserve the right to introduce changes in performance, configuration and technology, dimensions, weights and materials in the course of technical progress. The figures are shown without obligation.