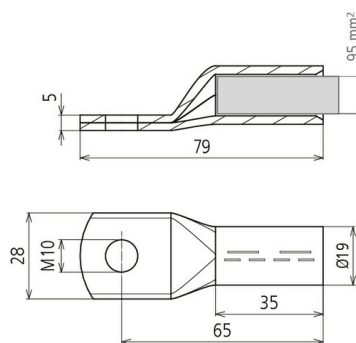


PKS 95 10 CUGALSN (472 437)



Figure without obligation



Crimped cable lug according to DIN 46235 with nickel barrier layer to avoid whisker formation.

| Type | PKS 95 10 CUGALSN |
|----------------------------------------------------------------------------------------------------------|----------------------------------------------------|
| Part No. | 472 437 NEW |
| Material | Cu/gal (Ni)Sn |
| Lightning impulse current (10/350 µs) Cugal (Ni)Sn 95 mm ² (Rm/Rf) / stainless steel 40x10 mm | 1HExIIC 100 kA (non-sparking) T4 |
| Max. short-circuit current (AC 50 Hz / DC / 5 s) Cugal (Ni)Sn 95 mm ² (Rm/Rf) / StSt 40x10 mm | 3100 A / T4 |
| Max. surface temperature T4 | 135 °C |
| Cable lug hole | M10 |
| Conductor cross-section | 95 mm ² |
| Weight | 93 g |
| Customs tariff number (Comb. Nomenclature EU) | 85389099 |
| GTIN | 4013364470583 |
| PU | 3 pc(s) |

Note: Non-sparking only ensured in connection with PAS EX ...!

We reserve the right to introduce changes in performance, configuration and technology, dimensions, weights and materials in the course of technical progress. The figures are shown without obligation.