

## EAB RN 16 SKN (790 160)

- Earthing and short-circuiting devices can be configured online via the earthing and short-circuiting configurator



Figure without obligation

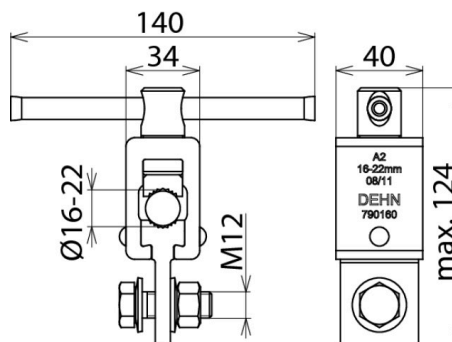


Figure without obligation

Type	EAB RN 16 SKN
Part No.	790 160
Dimensions	Ø16 mm
Anti-rotation cable lug	PK2
For cable cross-section Cu	16 ... 150 <sup>**) mm<sup>2</sup></sup>
Max. short-circuit current I <sub>k</sub> 0.5 s	29.6 kA
Max. short-circuit current I <sub>k</sub> 1 s	29.6 kA
Standard	EN/IEC 61230 (DIN VDE 0683-100)
Temperature range	-25 °C ... +55 °C
Material (terminal lug)	E-Cu/gal Sn
Weight	737 g
Customs tariff number (Comb. Nomenclature EU)	85389099
GTIN	4013364018693
PU	1 pc(s)

<sup>\*\*) Max. short-circuit current of 29.6 kA even in case of a disconnection time I<sub>k</sub> of 1 s.</sup>

We reserve the right to introduce changes in performance, configuration and technology, dimensions, weights and materials in the course of technical progress. The figures are shown without obligation.

**The clamps must have the same maximum short-circuit current as the earthing and short-circuiting cables!**