

## PSK 10 65 SQL EH (784 501)

- Earthing and short-circuiting devices can be configured online via the earthing and short-circuiting configurator
- For connecting the phase cables of single-pole and three-pole earthing and short-circuiting devices to the overhead line
- Coupling aid for safe attachment on the conductor cables
- PK1 anti-rotation element and long threaded T pin shaft



Figure without obligation

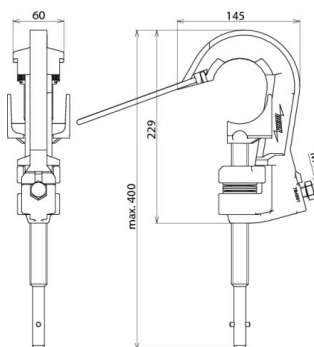


Figure without obligation

Type	PSK 10 65 SQL EH
Part No.	784 501
Clamping range Ø	10 ... 65 mm
Anti-rotation element	PK1
For cable cross-section Cu	16 ... 120 mm <sup>2</sup>
Max. short-circuit current I <sub>k</sub> 0.5 s	33.5 kA
Max. short-circuit current I <sub>k</sub> 1 s	23.7 kA
Standard	EN/IEC 61230 (DIN VDE 0683-100), threaded T pin shaft DIN 48087
Temperature range	-25 °C ... +55 °C
Material (pressure plate)	Aluminium alloy
Material (clamp body)	Aluminium alloy
Material (shaft)	Copper alloy/gal Sn
Material (coupling aid)	St/gal Zn
Weight	1,95 kg
Customs tariff number (Comb. Nomenclature EU)	85389099
GTIN	4013364006560
PU	1 pc(s)

We reserve the right to introduce changes in performance, configuration and technology, dimensions, weights and materials in the course of technical progress. The figures are shown without obligation.

**The clamps must be designed for the same maximum short-circuit current as the earthing and short-circuiting cables!**