

PSK FV 4 30 SQL (784 480)

- Earthing and short-circuiting devices can be configured online via the earthing and short-circuiting configurator
- For connecting the phase cables of single- and three-pole earthing and short-circuiting cables to the overhead line
- Easy coupling due to spring-loaded clamp
- PK1 anti-rotation element and long threaded T pin shaft



Figure without obligation

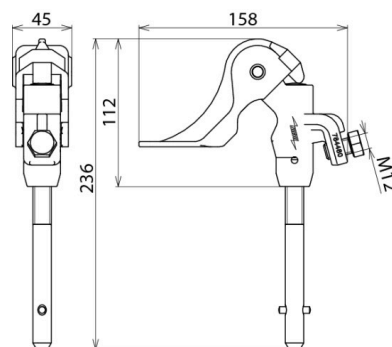


Figure without obligation

Type	PSK FV 4 30 SQL
Part No.	784 480
Clamping range Ø	4 ... 30 mm
Anti-rotation element	PK1
For cable cross-section Cu	16 ... 70 mm ²
Max. short-circuit current I _k 0.5 s	19.5 kA
Max. short-circuit current I _k 1 s	13.8 kA
Standard	EN/IEC 61230 (DIN VDE 0683-100), threaded T pin shaft DIN 48087
Temperature range	-25 °C ... +55 °C
Material (pressure plate)	Aluminium alloy
Material (clamp body)	Aluminium alloy
Material (shaft)	Copper alloy/gal Sn
Weight	600 g
Customs tariff number (Comb. Nomenclature EU)	85389099
GTIN	4013364054479
PU	1 pc(s)

We reserve the right to introduce changes in performance, configuration and technology, dimensions, weights and materials in the course of technical progress. The figures are shown without obligation.

The clamps must be designed for the same maximum short-circuit current as the earthing and short-circuiting cables!