

## KKH 25 FS (772 322)

- Earthing and short-circuiting devices can be configured online via the earthing and short-circuiting configurator



Figure without obligation

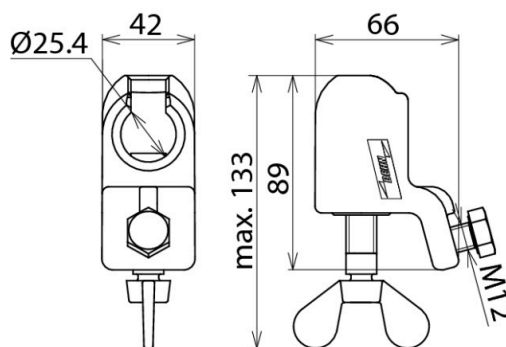


Figure without obligation

| Type  | KKH 25 FS                       |
|---|---------------------------------|
| Part No.  | 772 322                         |
| For fixed ball point Ø                          | 25 mm                           |
| Anti-rotation cable lug                         | PK1                             |
| For cable cross-section Cu                      | 16 ... 150 mm <sup>2</sup>      |
| Max. short-circuit current I <sub>k</sub> 0.5 s | 42.0 kA                         |
| Max. short-circuit current I <sub>k</sub> 1 s   | 29.6 kA                         |
| Standard  | EN/IEC 61230 (DIN VDE 0683-100) |
| Temperature range                               | -25 °C ... +55 °C               |
| Material (clamp body)                           | Cu alloy/gal Sn                 |
| Material (shaft)                                | Cu alloy/gal Sn                 |
| Material (pressure plate)                       | Cu alloy/gal Sn                 |
| Weight  | 747 g                           |
| Customs tariff number (Comb. Nomenclature EU)   | 85389099                        |
| GTIN  | 4013364054455                   |
| PU  | 1 pc(s)                         |

We reserve the right to introduce changes in performance, configuration and technology, dimensions, weights and materials in the course of technical progress. The figures are shown without obligation.

**The clamps must have the same maximum short-circuit current as the earthing and short-circuiting cables!**