

PHE3 PK6 20 L SB ZK (767 922)

- With universal gear coupling
- Detachable test prod



Figure without obligation

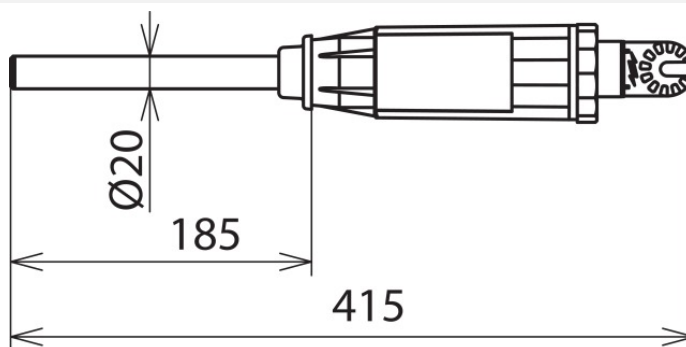


Figure without obligation

With standby function

Type	PHE3 PK6 20 L SB ZK
Part No.	767 922
Nominal voltage (U _N)	6 ... 20 kV
Type of voltage	a.c.
Frequency	50 Hz
Category	L
Total length (l _o)	415 mm
Insertion depth (l _i)	185 mm
Length (indicator with test prod)	230 mm
Standard (indicator with test prod)	EN/IEC 61243-1 (DIN VDE 0682-411)
Standard (universal gear coupling)	EN/IEC 60832 (DIN VDE 0682-211)
Temperature range	-25 °C ... +55 °C, climatic category N
Design	Separate
For use at	▲
For	Indoor and outdoor installations
Application	Overhead lines
Version	Single-pole
Indication	Acoustic and visual
Self-testing element	Yes
Material (test electrode)	Copper alloy/gal Sn
Material (test prod)	Glass-fibre reinforced epoxy resin tube
Material (indicator)	Plastic, fully insulated
Weight	1,07 kg
Customs tariff number (Comb. Nomenclature EU)	90303370
GTIN	4013364097384
PU	1 pc(s)

We reserve the right to introduce changes in performance, configuration and technology, dimensions, weights and materials in the course of technical progress. The figures are shown without obligation.