

PHEG2 P SN7346 (767 639)



Figure without obligation

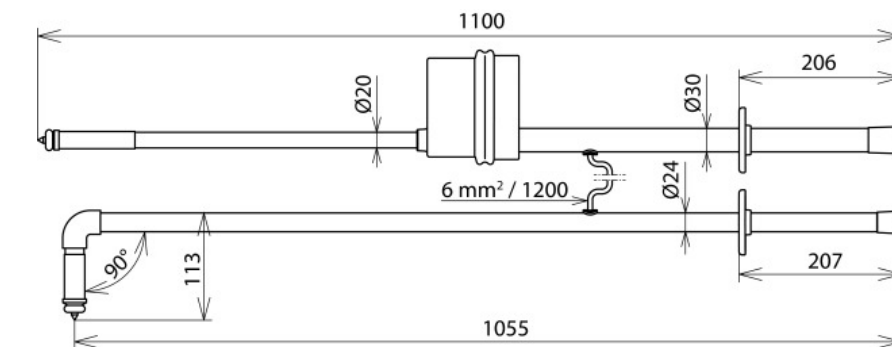


Figure without obligation

| Type | PHEG2 P SN7346 |
|---|--|
| Part No. | 767 639 |
| Threshold voltage (U _t) | 150 V |
| Nominal voltage (U _N) | 750 V |
| Type of voltage | d.c. |
| Length (indicator with test prod) (l _s) | 615 mm |
| Length (insulating stick) (l _i) | 550 mm |
| Length (connecting cable) | 1200 mm |
| Total length (l _σ) | 1100 mm |
| Standard | Based on EN/IEC 61243-1 (DIN VDE 0682-411) |
| Temperature range | -25 °C ... +55 °C, climatic category N |
| For use at | ▲ |
| For | Indoor and outdoor installations |
| Application | Switchgear installations |
| Design | Two-pole |
| Indication | Visual |
| Self-testing element | Yes |
| Material (test electrode) | Copper alloy/gal Sn |
| Material (test prod) | Glass-fibre reinforced polyester tube |
| Material (indicator) | Plastic, fully insulated |
| Material (insulating stick) | Glass-fibre reinforced polyester tube |
| Material (connecting cable) | Highly flexible copper cable |
| Weight | 2,4 kg |
| Customs tariff number (Comb. Nomenclature EU) | 90303370 |
| GTIN | 4013364155817 |
| PU | 1 pc(s) |

We reserve the right to introduce changes in performance, configuration and technology, dimensions, weights and materials in the course of technical progress. The figures are shown without obligation.