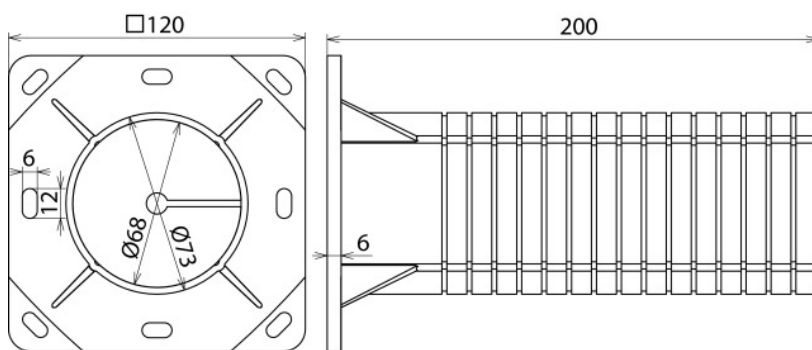


AH TSK WDV5 50.200 K (476 053)



Figure without obligation



With styrofoam core (no heat bridge) for combination with the test junction box. Can be shortened in intervals of 10 mm from 200 - 50 mm.

Type	AH TSK WDV5 50.200 K
Part No.	476 053
Material of spacer	PP
Dimensions of spacer	120 x 120 x 200 mm
Colour	RAL 7035
Type	UV-stabilised and weather-resistant
Weight	185 g
Customs tariff number (Comb. Nomenclature EU)	39259080
GTIN	4013364219724
PU	1 pc(s)

We reserve the right to introduce changes in performance, configuration and technology, dimensions, weights and materials in the course of technical progress. The figures are shown without obligation.