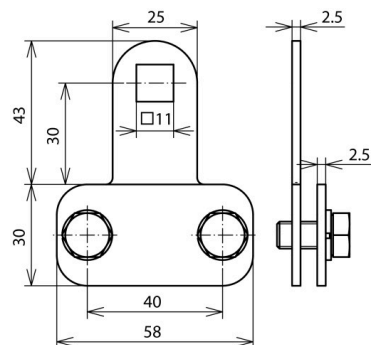




**KS 200 B11.11 FL30X4 V2A (380 209)**



Figure without obligation



Clamping piece with spring washer for connecting flat material to construction components. Lightning current carrying capability 200 kA (10/350 μs)



<b>Type</b>	<b>KS 200 B11.11 FL30X4 V2A</b>
<b>Part No.</b>	<b>380 209</b>
Material	StSt
Clamping range FI	30 x 4 mm
Fixing	square hole 11 x 11 mm
Screw	⚙ M8 x 16 mm
Material of screw	StSt
Distance of screws	40 mm
Material thickness	2.5 mm
Lightning current carrying capability (10/350 μs)	200 kA <sup>*)</sup>
Standard	based on EN 62561-1
Weight	102 g
Customs tariff number (Comb. Nomenclature EU)	85389099
GTIN	4013364158269
PU	1 pc(s)

\*) For exact classification, see test certificate.

We reserve the right to introduce changes in performance, configuration and technology, dimensions, weights and materials in the course of technical progress. The figures are shown without obligation.