



ASSA D8 L1000 6.10 CU V2A (365 519)

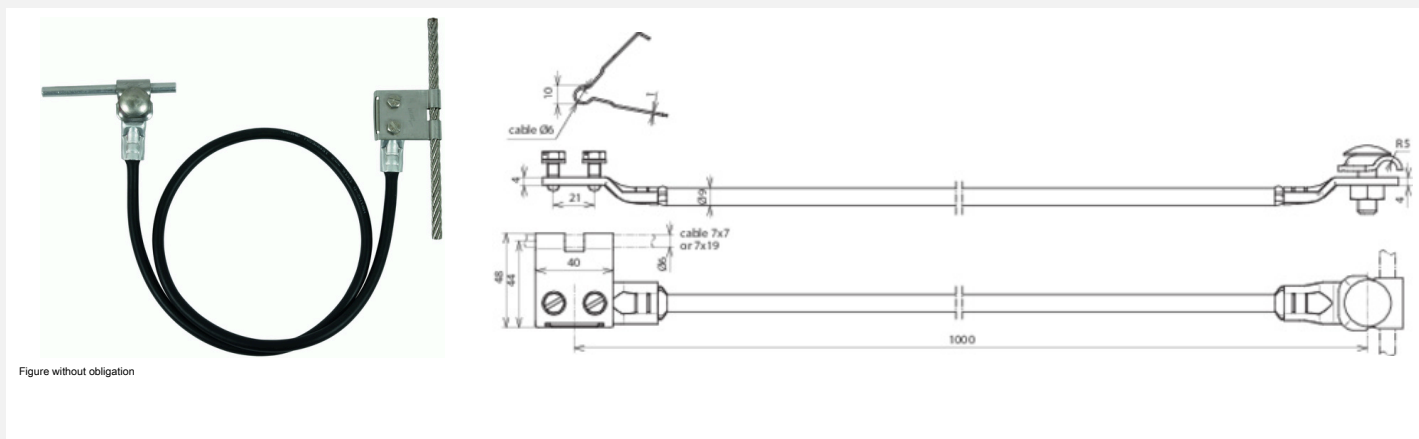
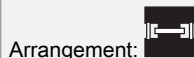


Figure without obligation



Type	ASSA D8 L1000 6.10 CU V2A
Part No.	365 519
Clamping range of connection lug	Ø8 mm
Rope structure	7 x 7 / 7 x 19 mm
Material of connection lug	StSt
Clamping piece support Rd	6-10 mm
Material of clamping piece	StSt
Length	1000 mm
Material of rope	Cu
Cross-section	16 mm ²
Temperature range	-40 °C ... +80 °C
Type of cable	flexible
Insulation	rubber EM5 black
Lightning current carrying capability (10/350 µs)	50 kA ^{*)}
Standard	EN 62561-1
Weight	333 g
Customs tariff number (Comb. Nomenclature EU)	85389099
GTIN	4013364130869
PU	1 pc(s)

^{*)} For exact assignment, see test certificate.

We reserve the right to introduce changes in performance, configuration and technology, dimensions, weights and materials in the course of technical progress. The figures are shown without obligation.