



KS 7.10 B10.5 AL (347 205)

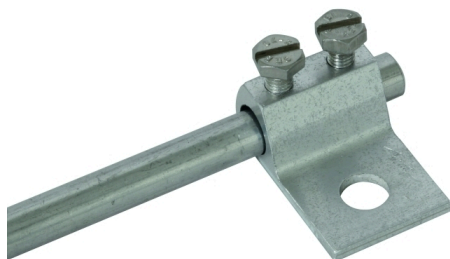
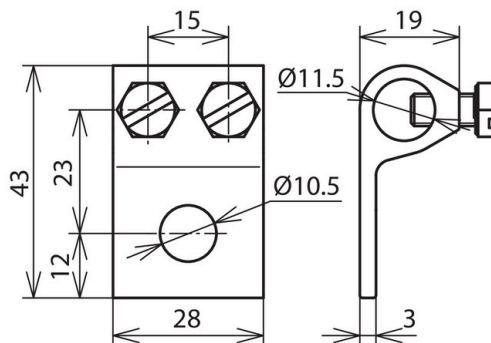


Figure without obligation



| Type | KS 7.10 B10.5 AL |
|---|------------------|
| Part No. | 347 205 |
| Clamping range Rd | 7-10 mm |
| Material | Al |
| Fixing hole Ø | 10.5 mm |
| Screw | ⚙️ M6 x 12 mm |
| Material of screw | StSt |
| Lightning current carrying capability (10/350 µs) | ⚡ 100kA *) |
| Standard | EN 62561-1 |
| Weight | 25 g |
| Customs tariff number (Comb. Nomenclature EU) | 85389099 |
| GTIN | 4013364136601 |
| PU | 100 pc(s) |

*) For exact assignment, see test certificate.

We reserve the right to introduce changes in performance, configuration and technology, dimensions, weights and materials in the course of technical progress. The figures are shown without obligation.