

DLH DG 8 H32 L205 V2A AL (206 171)

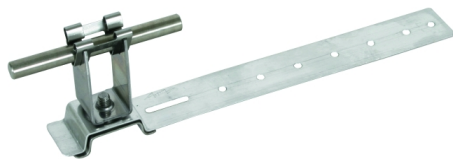
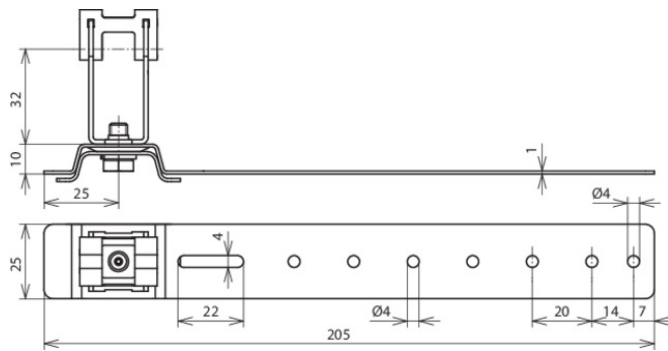


Figure without obligation



Type	DLH DG 8 H32 L205 V2A AL
Part No.	206 171
Material of roof conductor holder	Al
Length of brace (l1)	205 mm
Height of conductor holder	32 mm
Material of conductor holder	StSt
Conductor support Rd	8 mm
Type of conductor holder	DEHNgrip
Conductor routing	loose
Fixing possibilities	for easy fitting to the grooves
Type of roofing	tiled
Female thread	M6
Standard	EN 62561-4
Weight	51 g
Customs tariff number (Comb. Nomenclature EU)	85389099
GTIN	4013364089488
PU	50 pc(s)

We reserve the right to introduce changes in performance, configuration and technology, dimensions, weights and materials in the course of technical progress. The figures are shown without obligation.