

DLH DQ 8 WPRO5 V2A STTZN (206 105)

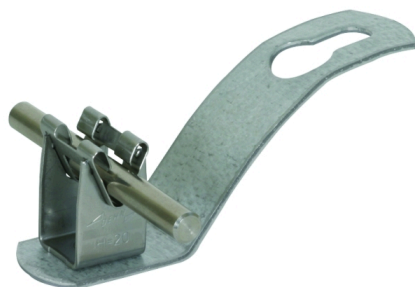
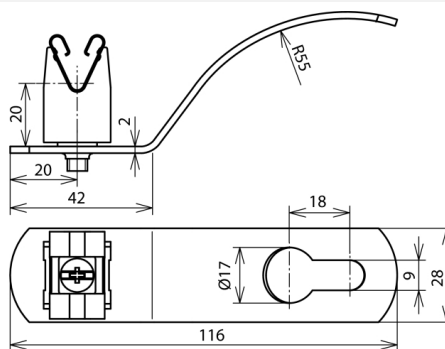


Figure without obligation



Type	DLH DQ 8 WPRO5 V2A STTZN
Part No.	206 105
Application note	for ridge and roof conductors
Material of roof conductor holder	St/tZn
Type of conductor holder	DEHNgrip
Height of conductor holder	20 mm
Material of conductor holder	StSt
Conductor support Rd	8 mm
Conductor routing	loose
Hole Ø	7.8 mm
Fixing possibility	for clipping under the screw head
Type of roofing	corrugated sheets profile 5 (shaft space 177 mm)
Standard	EN 62561-4
Weight	74 g
Customs tariff number (Comb. Nomenclature EU)	85389099
GTIN	4013364083189
PU	50 pc(s)

We reserve the right to introduce changes in performance, configuration and technology, dimensions, weights and materials in the course of technical progress. The figures are shown without obligation.