

DLH FG 8 H32 L170 V2A GALCU (204 957)

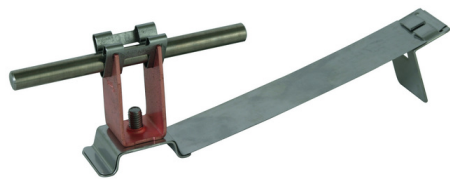
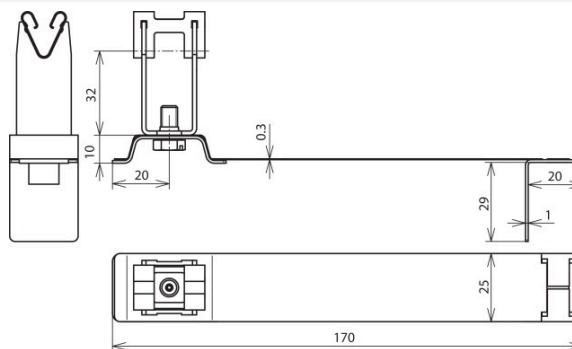


Figure without obligation



Type	DLH FG 8 H32 L170 V2A GALCU
Part No.	204 957
Type of roof conductor holder	FLEXIgrip
Material of roof conductor holder	StSt
Length of brace	170 mm
Height of conductor holder (h1)	32 mm
Material of conductor holder	Cu
Conductor support Rd	8 mm
Type of conductor holder	DEHNgrip
Female thread	M6
Type of roofing	interlocking tiles
Conductor routing	loose
Fixing possibility	for hooking at interlocking tiles, with flexible brace
Standard	EN 62561-4
Weight	55 g
Customs tariff number (Comb. Nomenclature EU)	85389099
GTIN	4013364129269
PU	50 pc(s)

We reserve the right to introduce changes in performance, configuration and technology, dimensions, weights and materials in the course of technical progress. The figures are shown without obligation.