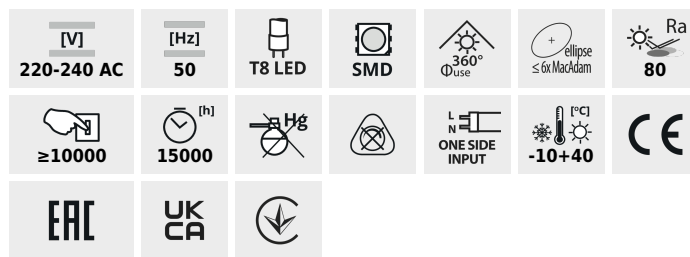


## T8 N LED

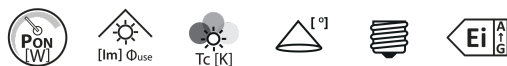
### Světelný zdroj LED

up to

**110**  $\frac{\text{lm}}{\text{W}}$



### T8 N LED 18W-CW



	PON [W]	[lm] Φuse	Tc [K]	Beam angle [°]	Base	Eii AIG
T8 N LED 18W-CW	<b>31190</b>	18	2000	6500	200	G13 E
T8 N LED 18W-NW	<b>31191</b>	18	2000	4000	200	G13 E
T8 N LED 22W-NW	<b>31192</b>	22	2420	4000	200	G13 E
T8 N LED 9W-CW	<b>31193</b>	9	1000	6500	200	G13 E
T8 N LED 9W-NW	<b>31194</b>	9	1000	4000	200	G13 E



T8 N LED 18W-CW



T8 N LED 18W-NW



T8 N LED 22W-NW



T8 N LED 9W-CW

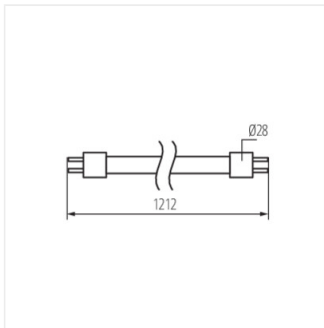
## T8 N LED

---

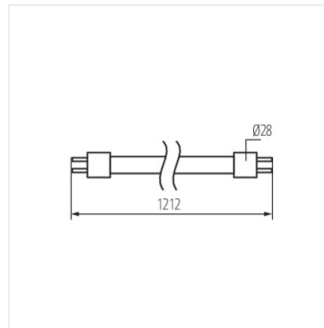
### Světelný zdroj LED



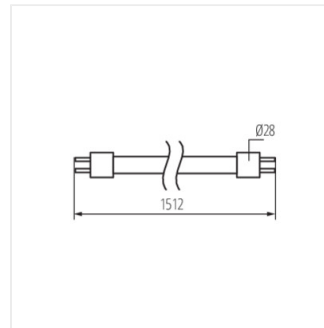
T8 N LED 9W-NW



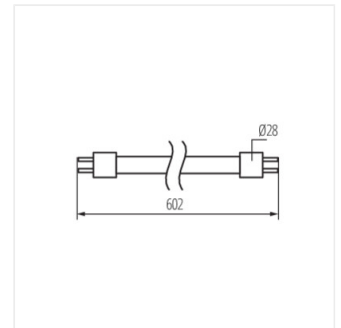
T8 N LED 18W-CW



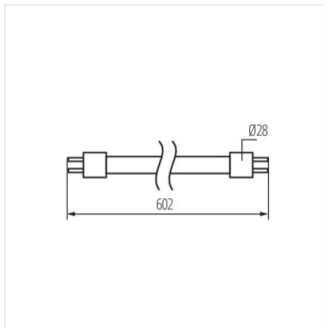
T8 N LED 18W-NW



T8 N LED 22W-NW



T8 N LED 9W-CW



T8 N LED 9W-NW