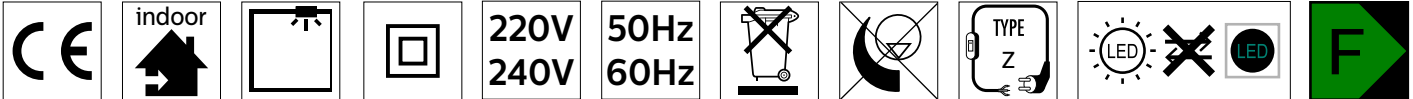
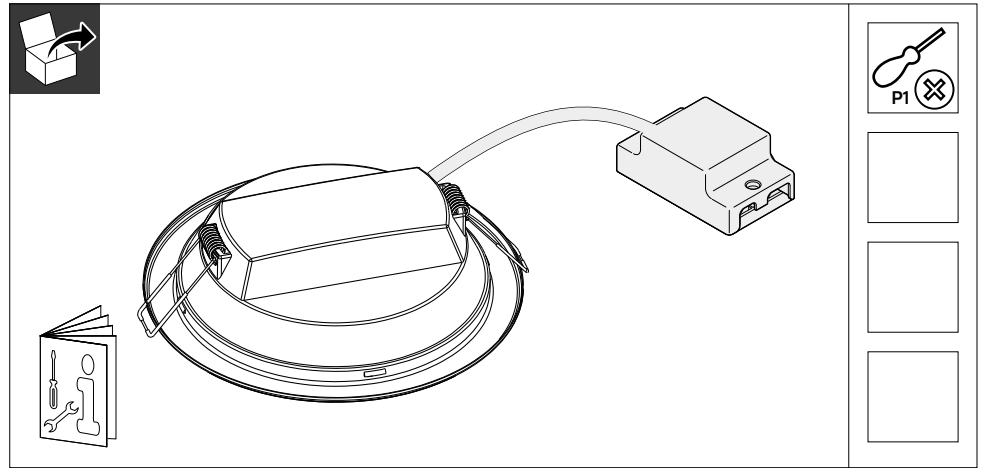


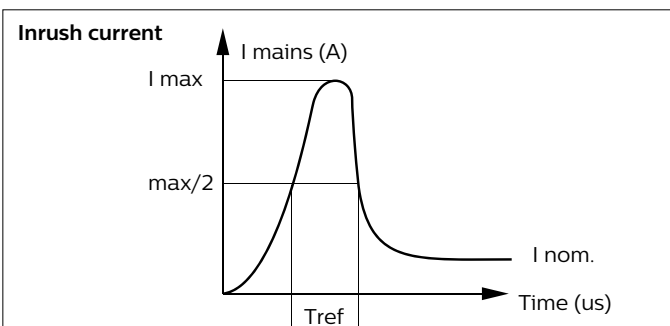
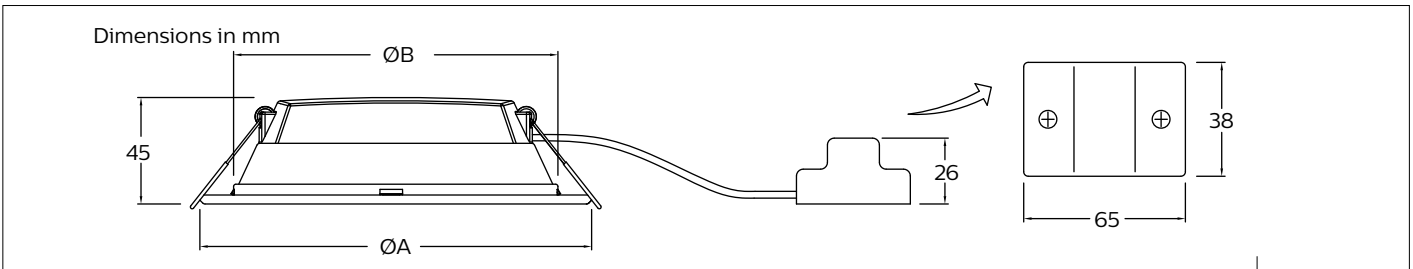
PHILIPS

Ledinaire SlimDownlight

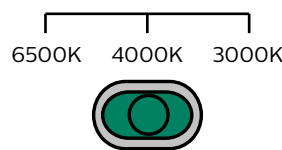
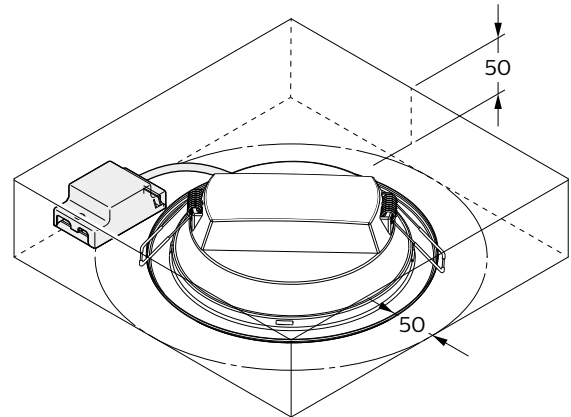
DN065B



| Model | Description | CRI&CCT | Lumen | P (W) | A | B | Ø mm | kg |
|------------|-------------------|-------------|-------|-------|-----|-----|---------|------|
| 9290026638 | DN065B LED10S | 830 | 1000 | 11 | 175 | 145 | 150-155 | 0.21 |
| 9290026639 | | 840 | | 11 | 175 | 145 | 150-155 | 0.21 |
| 9290031651 | | 865 | | 11 | 175 | 145 | 150-155 | 0.21 |
| 9290026640 | DN065B LED20S | 830 | 2000 | 20 | 225 | 195 | 200-205 | 0.34 |
| 9290026641 | | 840 | | 20 | 225 | 195 | 200-205 | 0.34 |
| 9290031652 | | 865 | | 20 | 225 | 195 | 200-205 | 0.34 |
| 9290026648 | DN065B LED10S CCT | 830-840-865 | 1000 | 11 | 175 | 145 | 150-155 | 0.21 |
| 9290026649 | DN065B LED20S CCT | 830-840-865 | 2000 | 20 | 225 | 195 | 200-205 | 0.34 |

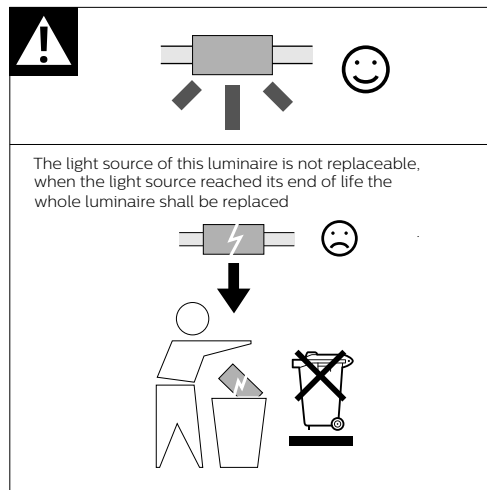
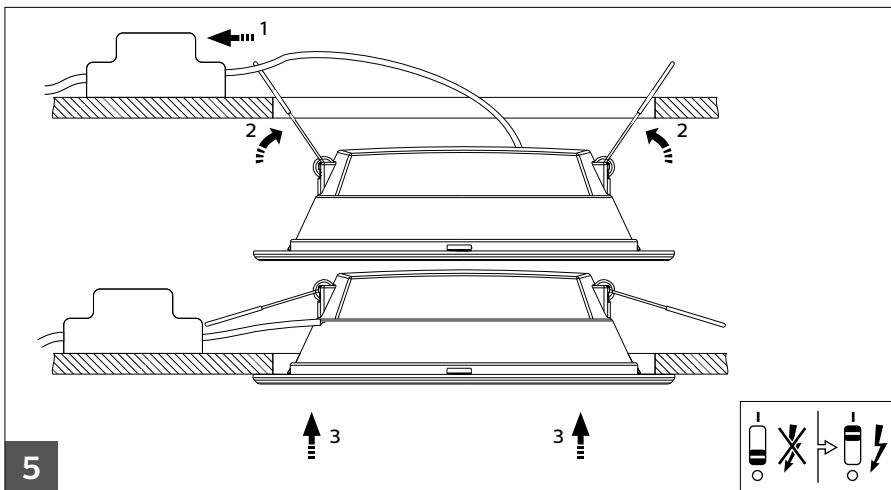
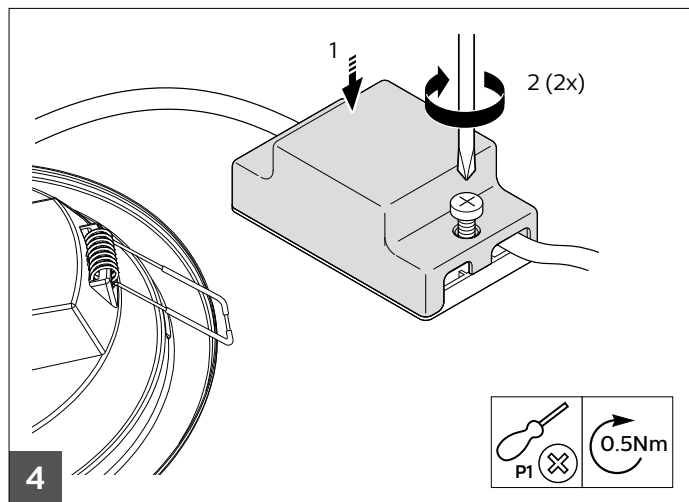
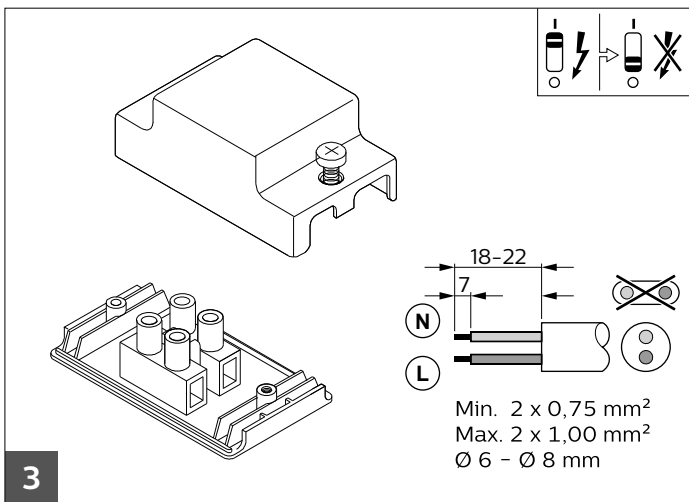
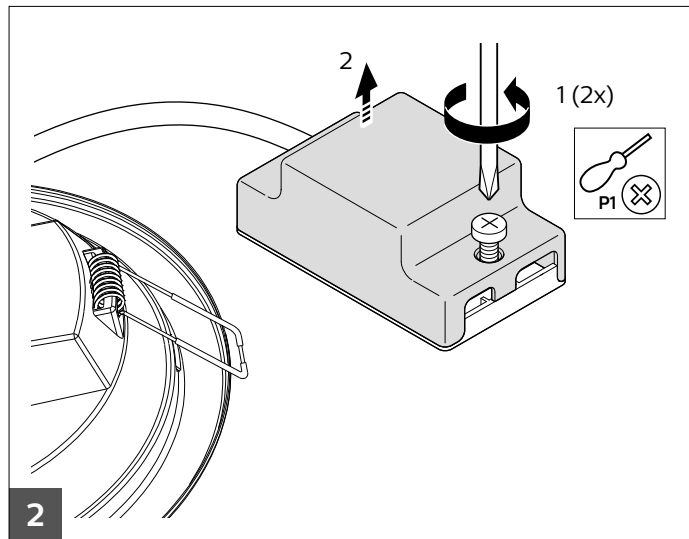
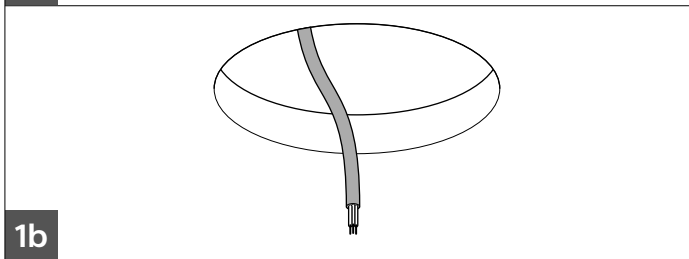
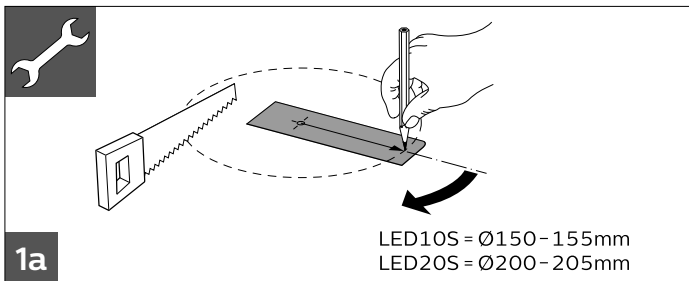


| | LED10S | LED20S |
|----------------------------|--------|--------|
| Electrical characteristics | | |
| I _{max} (A) | 5.05 | 5.18 |
| T _{ref} (µs) | 30 | 31 |
| MCB Luminaires Max. | | |
| B-10 A | 175 | 93 |
| B-13 A | 227 | 122 |
| B-16 A | 280 | 150 |
| C-10 A | 175 | 93 |
| C-13 A | 227 | 122 |
| C-16 A | 280 | 150 |



For CCT dip switch products, please choose a preferred color temperature before you start to install the luminaire. The initial setting is 4000K.





EN

Please read this manual carefully before using the product.

1. For indoor use only.
2. Do not switch on before complete installation.
3. The luminaire shall be installed by a qualified electrician and wired in accordance with the latest IEE electrical regulations or the national requirements.
4. The external flexible cable or cord of this luminaire cannot be replaced; if the cord is damaged, the luminaire shall be destroyed.
5. The luminaire is complied with IEC 60598.
6. Luminaire must not be used or stored in corrosive environment where hazardous materials such as Sulphur, Chlorine, phthalates, etc, are present.
7. Non-replaceable light source: The light source of this luminaire is not replaceable; when the light source reaches its end of life the whole luminaire shall be replaced.
8. This product contains a light source of energy efficiency class F.



This marking indicates that this product should not be disposed with other household wastes throughout the EU. To prevent possible harm to the environment or human health from uncontrolled waste disposal, recycle it responsibly to promote the sustainable reuse of material resources. To return your used device, please use the return and collection systems or contact the retailer where the product was purchased. They can take this product for environmental safe recycling.