

NOVINKA

TRACK



TR-SPOJKA/T-3F/BI/L1



TR-SPOJKA/T-3F/BI/P1



TR-SPOJKA/T-3F/CR/L1



TR-SPOJKA/T-3F/CR/P1



TR-SPOJKA/T-3F/BI/L2



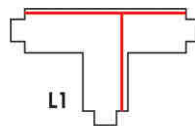
TR-SPOJKA/T-3F/BI/P2



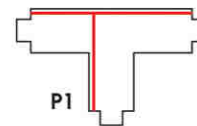
TR-SPOJKA/T-3F/CR/L2



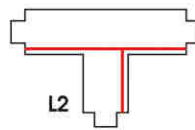
TR-SPOJKA/T-3F/CR/P2



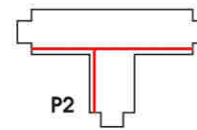
L1



P1



L2



P2

TR-SPOJKA/T-3F/BI/L1



8 590849 528459

TR-SPOJKA/T-3F/CR/L1



8 590849 528473

TR-SPOJKA/T-3F/BI/P1



8 590849 528534

TR-SPOJKA/T-3F/CR/P1



8 590849 528558

TR-SPOJKA/T-3F/BI/L2



8 590849 528497

TR-SPOJKA/T-3F/CR/L2



8 590849 528510

TR-SPOJKA/T-3F/BI/P2



8 590849 527094

TR-SPOJKA/T-3F/CR/P2



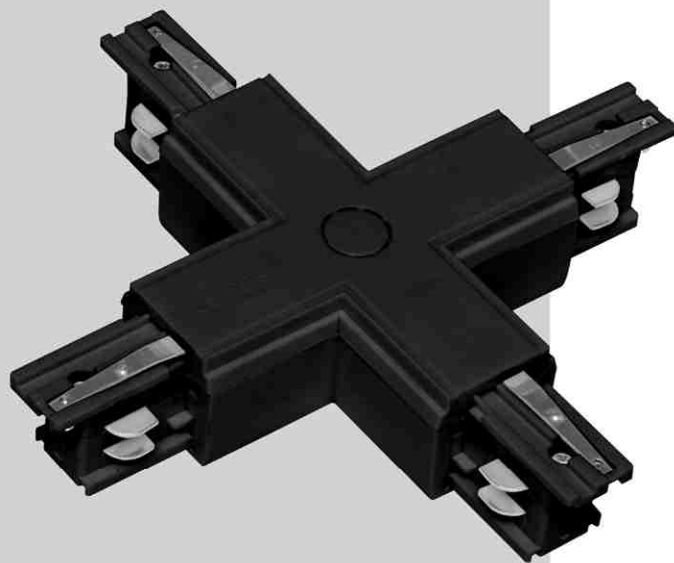
8 590849 525465

GLOBAL TRACK SYSTEM



NOVINKA

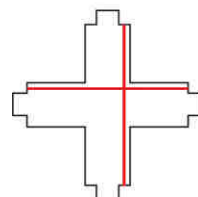
TRACK



TR-SPOJKA/X-3F/BI



TR-SPOJKA/X-3F/CR



TR-SPOJKA/X-3F/BI



8 590849 528695

TR-SPOJKA/X-3F/CR



8 590849 528718

GLOBAL TRACK SYSTEM

