

## Industrial plug-in equipment

### Technical data

Rated voltage $U_n$	230V, 400V
Rated frequency $f_n$	50 - 60Hz
Rated current $I_n$	16, 32, 63, 125 A
Ambient temperature	-25°C ... +40°C
Standards	IEC 60309 - 1, 2

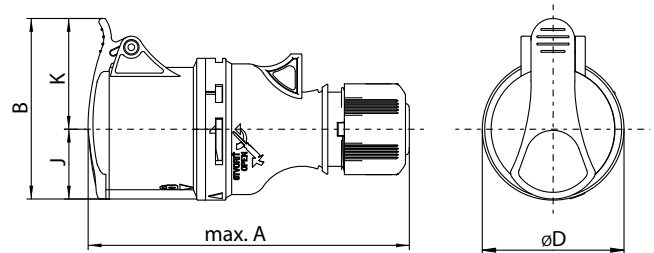
Application - Our industrial plugs and sockets have been designed to connect electrical devices and consumers to low voltage in a broad spectrum of human activities. They are frequently applied in civil engineering, electric assembly sector, engineering industry, chemical and cosmetic industry, pharmaceutical industry and health service, agriculture, food industry and textile industry, as well as in cinemas, theatres, sports facilities, holiday resorts, etc.

### Benefits:

- reliable and safe
- ambient temperature -25 °C to +40 °C
- high temperature tolerance up to 125 for "live" parts
- the right colors with the standards

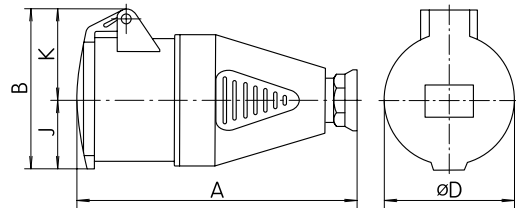
### Connecting sockets IP44

Type/(mm)	A	B	øD	J	K
ES1632	145	79	64	29	50
ES 1643	145	81,5	56	31,5	50
ES 1653	145	89	64	35	54
ES 3243	175,5	96	65	38	58
ES 3253	179	103	73	41	62



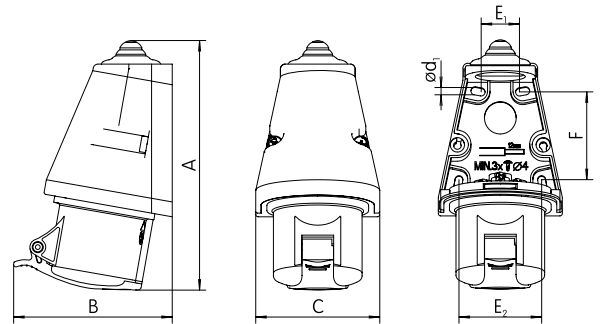
### Connecting sockets IP44

Type/(mm)	A	B	øD	J	K	Pg
ES 3232	165	93	72	42	51	21



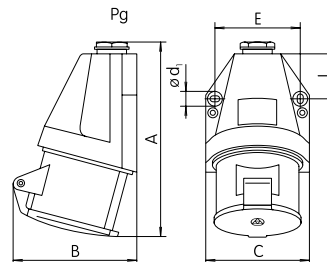
### Wall sockets IP44

Type/(mm)	A	B	C	ød1	E1	E2	F
EZ 1632	157	90	78	4	30	53	58
EZ 1643	157	99	78	4	30	53	58
EZ 1653	157	104	78	4	30	53	58
EZ 3243	179	118	88	4	35	61	60
EZ 3253	179	121	88	4	35	61	60



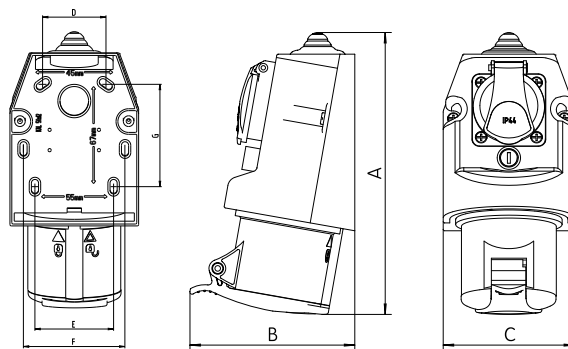
### Wall sockets IP44

Type/(mm)	A	B	C	ød1	E	I	Pg	Modification
EZ3232	155	101	82	5,2	67	34	P21	A



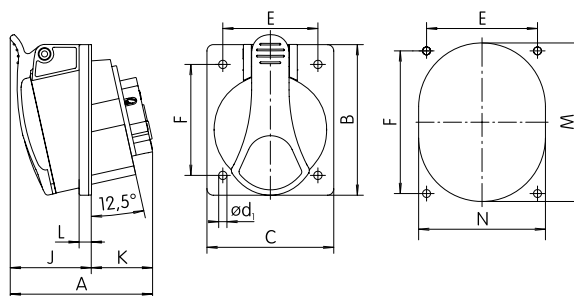
**Combinated sockets IP44**

Type \ (mm)	A	B	C	D	E	F	G
EZCZ (EZCZ-S) 16xx	182	113	90	45	55	71	67
EZCZ (EZCZ-S) 32xx	193	118	90	45	55	71	67



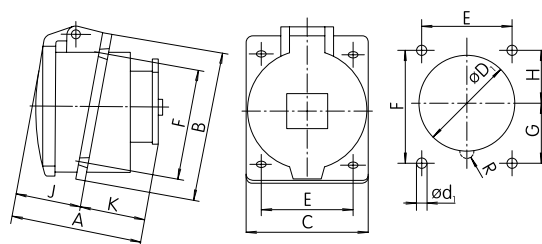
**Built-in sockets IP54**

Type \ (mm)	A	B	C	øD1	J	E	F	K	L	M	N
EE 1643	73	85	75	5,2	42	60	60	31	7	66	58
EE 1653	75	85	75	5,2	43	60	60	32	7	72	64
EE 3243	90	95	80	5,2	52	60	70	38	8	78	68
EE 3253	92	95	80	5,2	53	60	70	39	8	84	70
EZ 3253	179	121	4	35	4	35	88	4	35	61	60



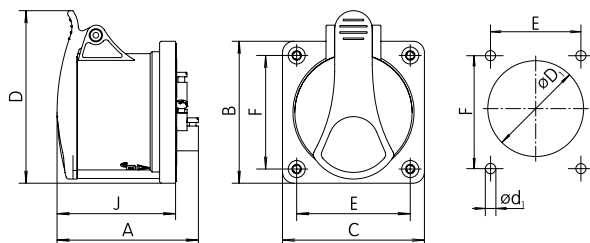
**Built-in sockets IP54**

Type \ (mm)	A	B	C	øD1	øD1	E	F	G	H	J	K
EE 1632	61	85	75	56	5,5	60	60	30	30	32	29
EE 3232	84	95	80	68	5,5	60	70	38	32	42	42



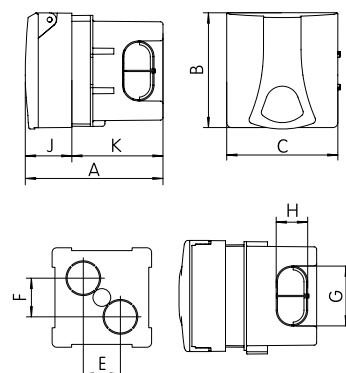
**Built-in sockets IP54, STRAIGHT**

Type \ (mm)	A	B	C	øD1	øD1	D	E	F	J
EER 1632	76	75	75	57	4,2	88	60	60	61
EER 1643	76	75	75	57	4,2	88	60	60	61
EER 1653	77	75	75	57	4,2	91	60	60	63
EER 3243	91	75	75	64	4,2	96	60	60	71
EER 3253	93	75	75	64	4,2	103	60	60	75



**Flush mounted boxes with socket IP44**

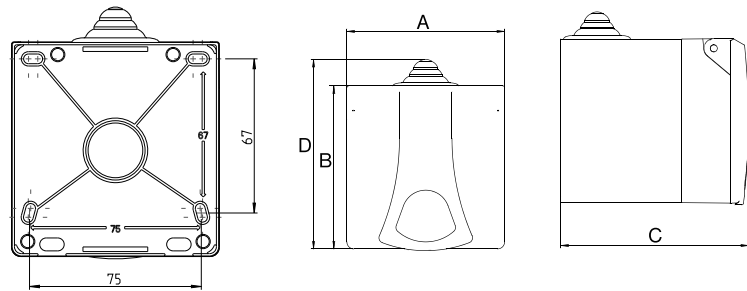
Type \ (mm)	A	B	C	E	F	G	H	J	K
EZB xxxx	115,5	93	90	30	30	48,5	25,5	37,7	73,8



## Technical data

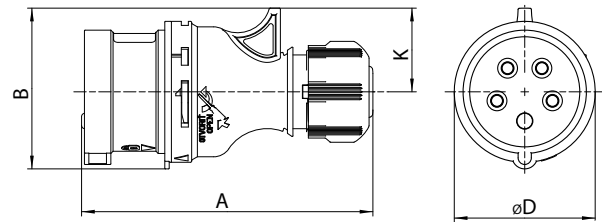
### Surface mounted boxes with socket IP44

Type \ (mm)	A	B	C	D
EZBN 16S	90	93	106	108
EZBN 1643	90	93	106	108
EZBN 1653	90	93	106	108
EZBN 3243	90	93	106	108
EZBN 3253	90	93	106	108



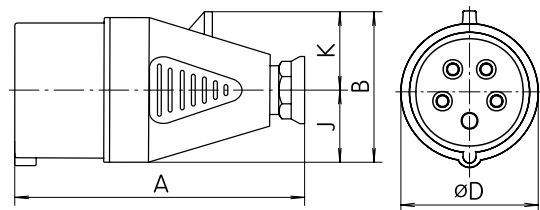
### Plugs IP44

Type \ (mm)	A	B	ØD	K
EV 1632	126	64	64	32
EV 1643	132	66	64	34
EV 1653/ EVO 1653	132	73	64	38
EV 3243	162	79	73	41
EV 3253/ EVO 3253	162	86,5	73	45



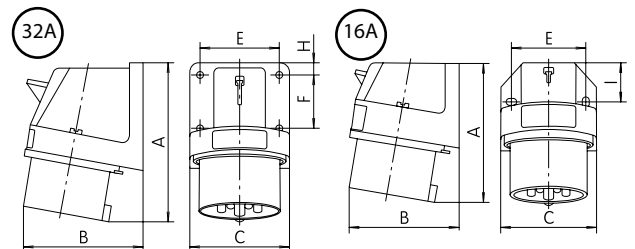
### Plugs IP44

Type \ (mm)	A	B	ØD	J	K	Pg
EV 3232	154	77	72	36	41	P21



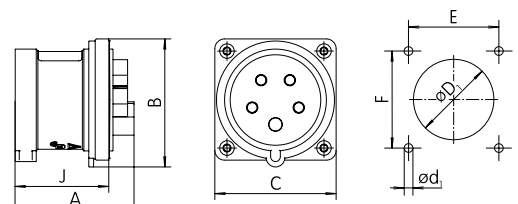
### Built-in appliance inlets IP44, ANGLED

Type \ (mm)	A	B	C	E	F	I
ER 1632	91	68	57,2	45	-	20
ER 164x	97	77	65,2	50	-	27,5
ER 1653	98	79	65,2	50	-	27,5
ER 3232	128	88	72,5	58	40	9
ER 324x	128	88	72,3	58	40	9
ER 3253	129	90	72,3	58	40	9



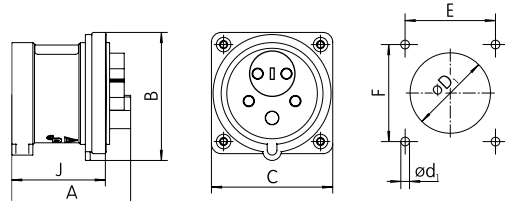
### Built-in appliance inlets IP44, STRAIGHT

Type \ (mm)	A	B	C	ød1	øD1	E	F	J
ERR 1632	67	75	75	4,2	57	60	60	48
ERR 1643	66	75	75	4,2	57	60	60	48
ERR 1653	66	75	75	4,2	57	60	60	48
ERR 3243	73	75,3	75	4,2	64	60	60	58
ERR 3253	73	80	75	4,2	64	60	60	58



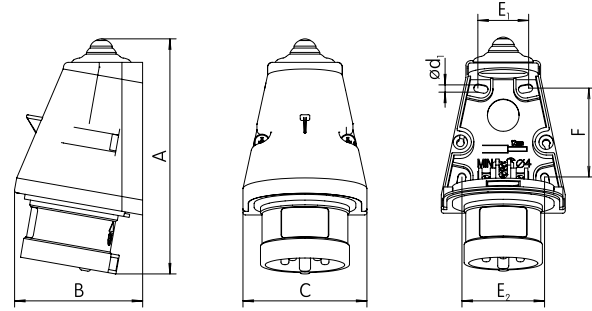
**Built-in appliance inlets IP44, STRAIGHT, phase reverse**

Type \ (mm)	A	B	C	ød1	øD1	E	F	J
ERRO 1653	66	75	75	4,2	57	60	60	48
ERRO 3253	73	80	75	4,2	64	60	60	58



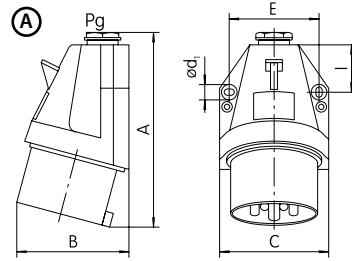
**Wall plugs IP44**

Type \ (mm)	A	B	C	ød1	E1	E2	F
EP 1632	147	81	78	4	30	53	58
EP 1643	146	81	78	4	30	53	58
EP 1653	146	81	78	4	30	53	58
EP 3243	168	95	88	4	35	61	60
EP 3253	168	95	88	4	35	61	60



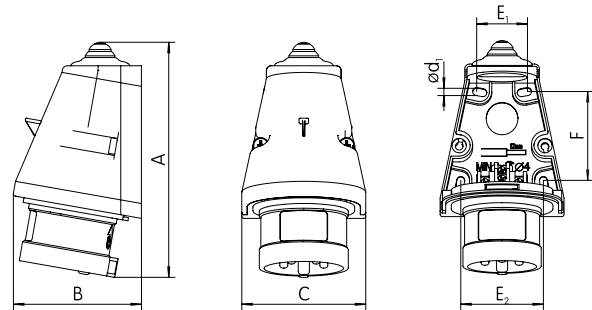
**Wall plugs IP44**

Type \ (mm)	A	B	C	ød1	E	I	Pg	Modification
EP 3232	147	105	82	5,2	67	34	P21	A



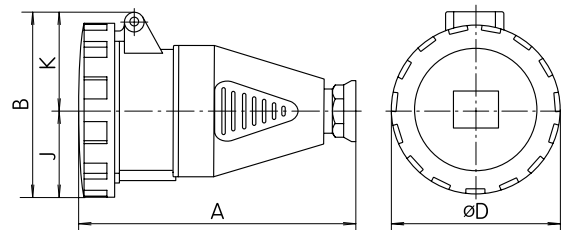
**Wall plugs IP44**

Type \ (mm)	A	B	C	ød1	E1	E2	F
EPO 1653	146	81	78	4	30	53	58
EPO 3253	168	95	88	4	35	61	60



**Connecting sockets IP67**

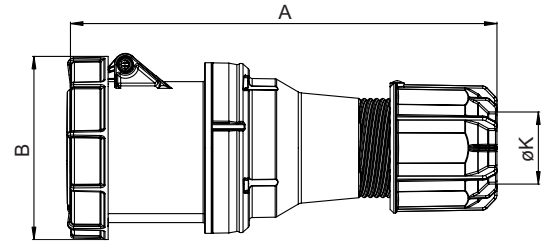
Type \ (mm)	A	B	øD	J	K	Pg
ESH 1632	136	78,5	70	35	43,5	16
ESH 1643	142	85,5	78	39	46,5	16
ESH 1653	145	92,5	87	43,5	49	16
ESH 3232	166	101,5	93	46,5	55	21
ESH 3243	166	101,5	93	46,5	55	21
ESH 3253	168	108	100	50	58	21
ESH 6343	224	-	113	196	-	29



## Technical data

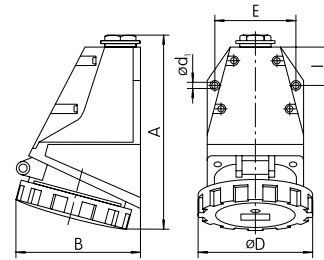
### Connecting sockets IP67

Type \ (mm)	A	B	øK
ESH 12543	269	114	22,5-50
ESH 12553	269	114	22,5-50



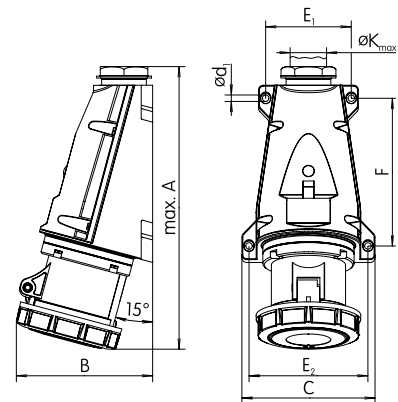
### Wall sockets IP67

Type \ (mm)	A	B	D	ød1	E	I	Pg
EZH 1632	146	90	78,5	4,8	65,6	32	P16
EZH 1643	148	92	78,5	4,8	65,6	32	P16
EZH 1653	148	96	87	4,8	65,6	32	P16
EZH 3232	173	111	92,5	5,2	71	35,5	P21
EZH 3243	173	111	92,5	5,2	71	35,5	P21
EZH 3253	175	114	100	5,2	71	35,5	P21
EZH 6343	225	131	132	7	114	90,3	P36



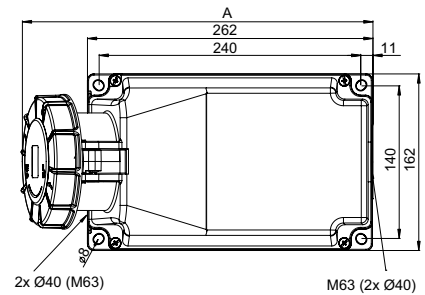
### Wall sockets IP67

Type \ (mm)	A	B	C	ød1	E1	E2	F	øK
EZH 6353	300	145	140	6,5	90	125	155	35



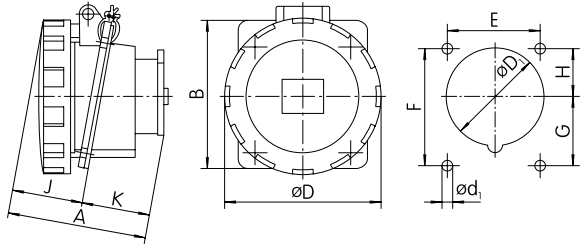
### Wall sockets IP67

Type \ (mm)	A	B=height
EZH 12543	322	205
EZH12553	322	205



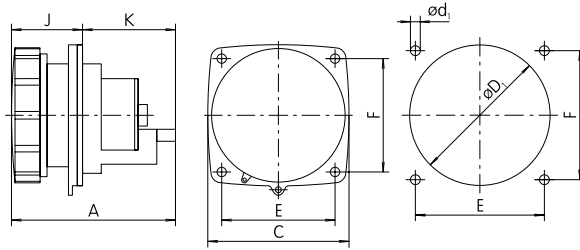
**Built-in sockets IP67**

Type \ (mm)	A	B	øD	øD1	ød1	E	F	G	H	J	K
EEH 1632	78	85	75	56	5,5	60	60	30	30	39	39
EEH 1643	80	85	78	62	5,5	60	60	31	29	41	39
EEH 1653	81	85	87	65	5,5	60	60	31	29	42	39
EEH 3232	89	95	92,5	68	5,5	60	70	38	32	47	42
EEH 3243	89	95	92,5	68	5,5	60	70	38	32	47	42
EEH 3253	91	95	100	74	5,5	60	70	36	34	49	42



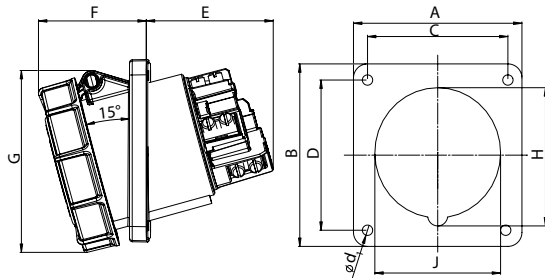
**Built-in sockets IP67**

Type \ (mm)	A	C	ød1	øD1	E	F	J	K
EEH 634x	131	111	6,8	93	90	90	52	79



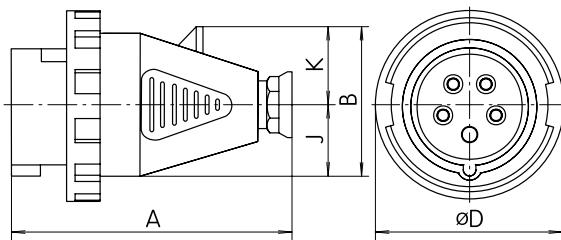
**Built-in sockets IP67**

Type \ (mm)	A	B	C	D	E	F	G	H	J	ød1
EEH 12543-p	114	114	90	90	92	77	130	102	90	7
EEH 12553-p	114	114	90	90	92	77	130	102	90	7



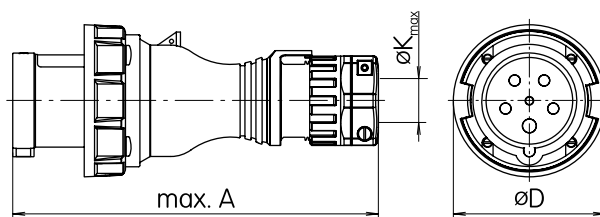
**Plugs IP67**

Type \ (mm)	A	øD	J	K	Pg
EVH 1632	123	70	28,5	31	P16
EVH 1643	129	78	32,5	35	P16
EVH 1653	129	87	32,5	39	P16
EVH 3232	154	92,5	36	41	P21
EVH 3243	154	92,5	36	41	P21
EVH 3253	154	100	36	46	P21
EVH 6343	224	113	195	-	P29



**Plugs IP67**

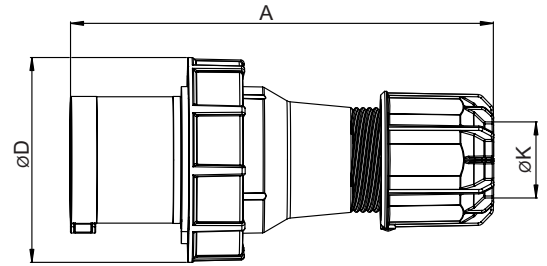
Type \ (mm)	A	øD	øK
EVH 6353	265	110	32



## Technical data

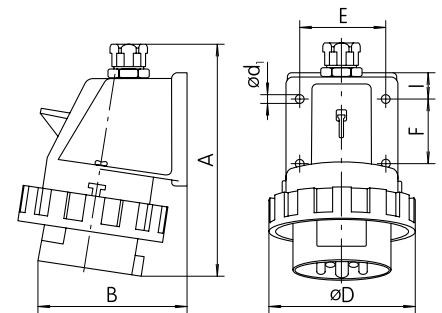
### Plugs IP67

Type \ (mm)	A	øD	øK
EVH 12543	270	131	22,5-50
EVH 12553	270	131	22,5-50



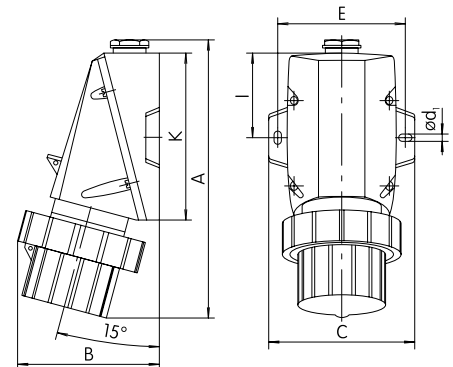
### Wall plugs IP67

Type \ (mm)	A	B	ød1	øD	E	F	I	Pg
EPH 1632	140	74	4,8	70	45	30	15	P16
EPH 1643	143	92	5,2	78	50	30	18	P16
EPH 1653	143	98	5,2	87	50	30	18	P16
EPH 3243	165	108	5,2	92,5	58	40	20	P21
EPH 3253	165	113	5,2	100	58	40	20	P21



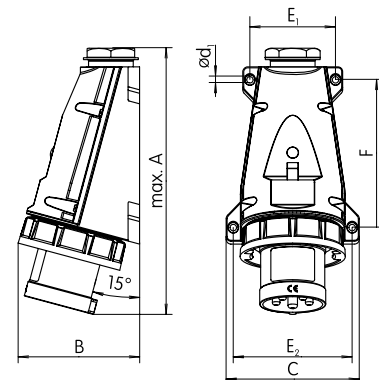
### Wall plugs IP67

Type \ (mm)	A	B	C	D1	E	I	K	Pg
EPH 6343	260	122	103	7	91,5	72,2	144,5	P29
EPH 6345	260	122	103	7	91,5	72,2	144,5	P29



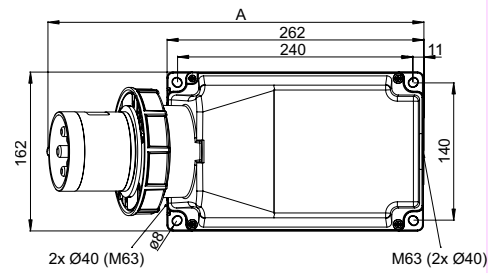
### Wall plugs IP67

Type \ (mm)	A	B	C	ød1	E1	E2	F	K
EPH 6353	280	130	140	6,5	90	125	155	35



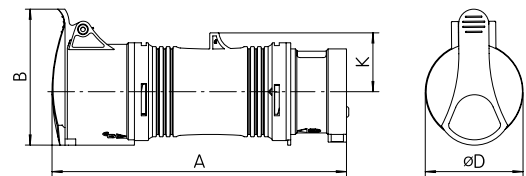
**Wall plugs IP67**

Type \ (mm)	A	B=height
EPH 12543	387	209
EPH 12553	387	209



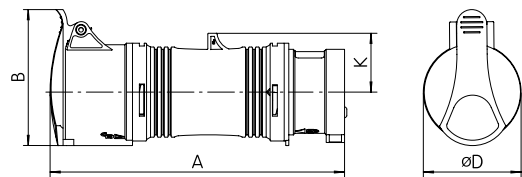
**Adapters**

Type \ (mm)	A	B	ØD	K
EA 1653/43	180	82	64	39
EA 3253/43	235	96	73	45



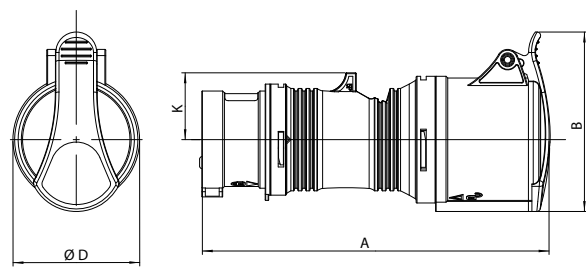
**Adapters**

Type \ (mm)	A	B	ØD	K
EA 1653/43-0	180	82	64	39
EA 3253/43-0	235	96	73	45



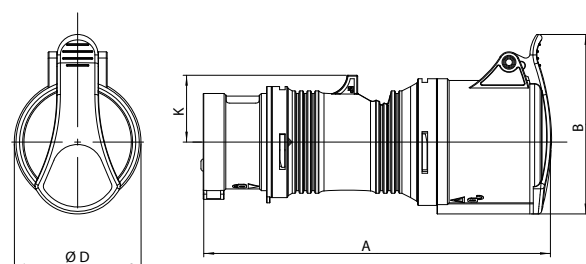
**Adapters**

Type \ (mm)	A	B	ØD	K
EA 16-32/4	198	96	65	34
EA 16-32/5	200	103	73	37



**Adapters**

Type \ (mm)	A	B	ØD	K
EA 16-32/5	200	103	73	37

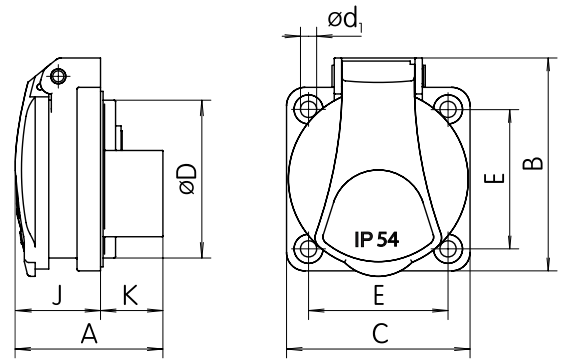




Technical data

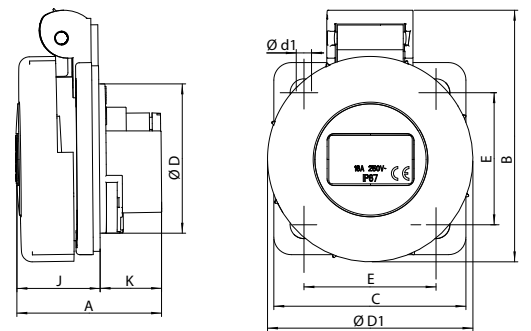
**Built-in sockets schuko**

Type \ (mm)	A	B	C	ØD	Ød1	E	J	K
EE 16 S	43	59,5	50	43	4,5	38	26	17



**Built-in sockets schuko**

Type \ (mm)	A	B	C	ØD	Ød1	E	J	K	ØD1
EEH 16 C	42	73	55	43	4,5	38	24	18	60
EEH 16 S	48	73	55	43	4,5	38	24	24	60



**Unischuko plug IP67**

Type

EEVG 16 - Unischuko plug IP67

