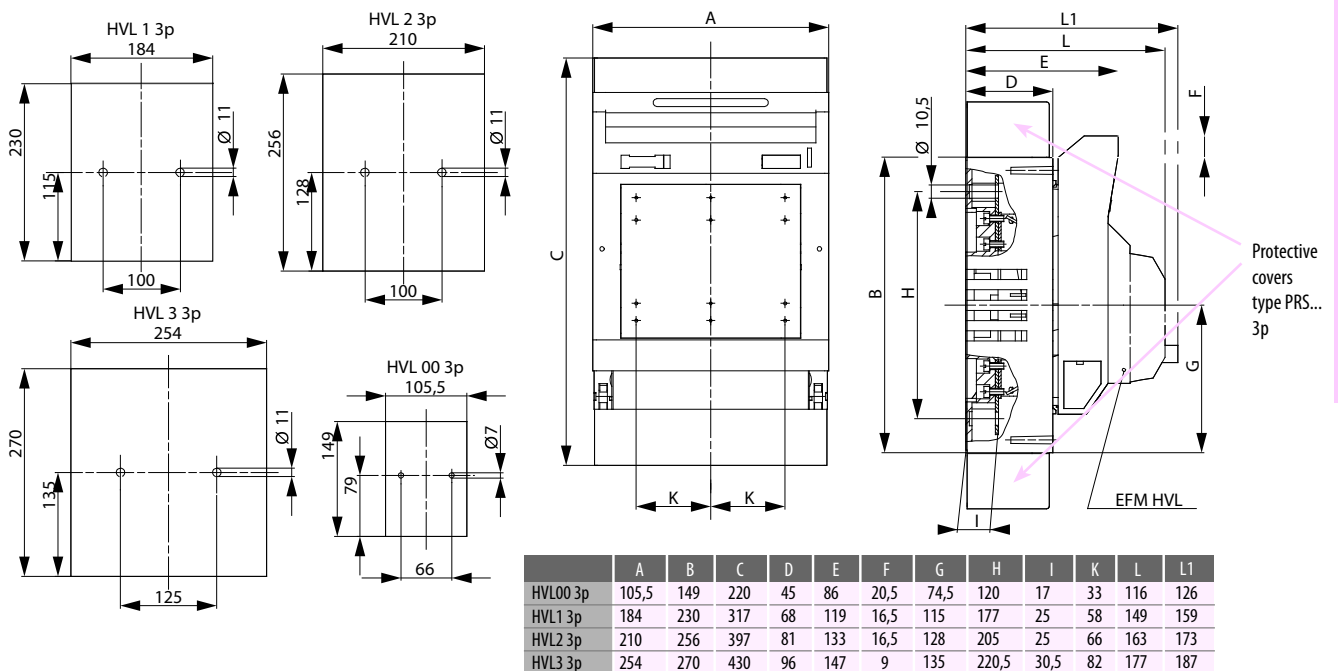


Horizontal fuse-switch disconnecter type HVL size 00, 1, 2, 3 and 4a

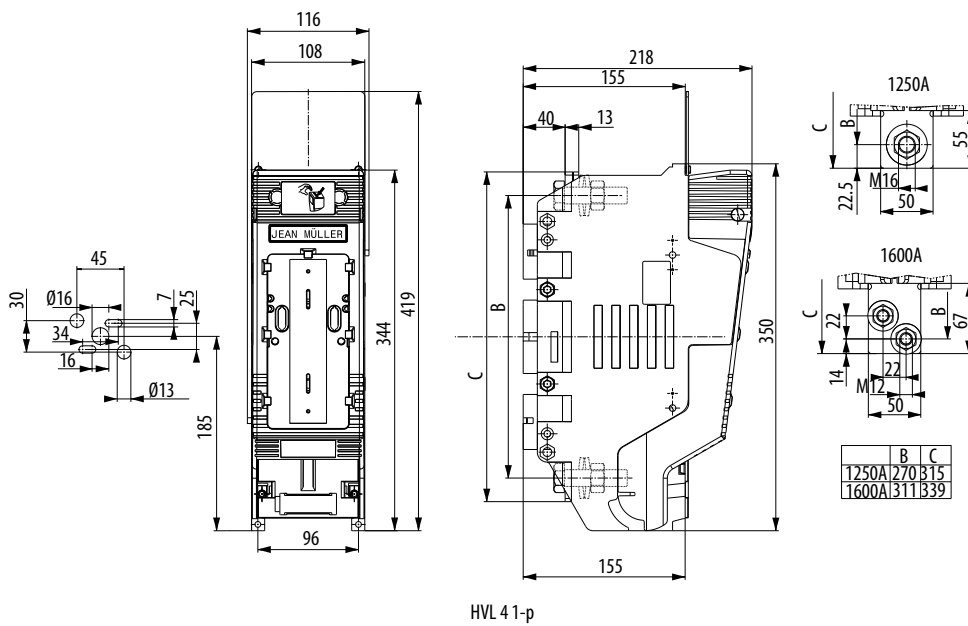
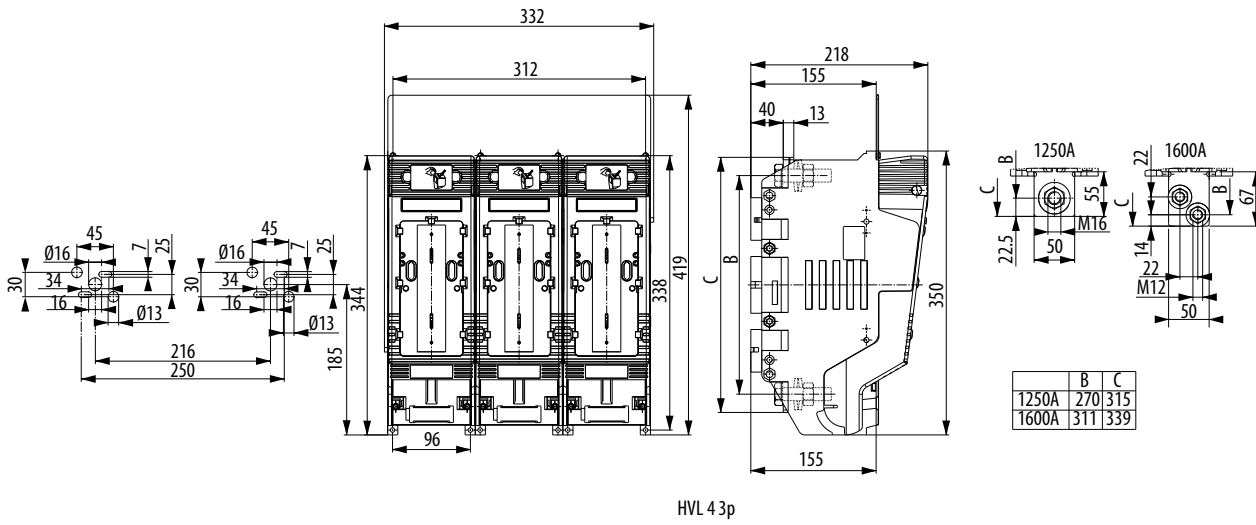
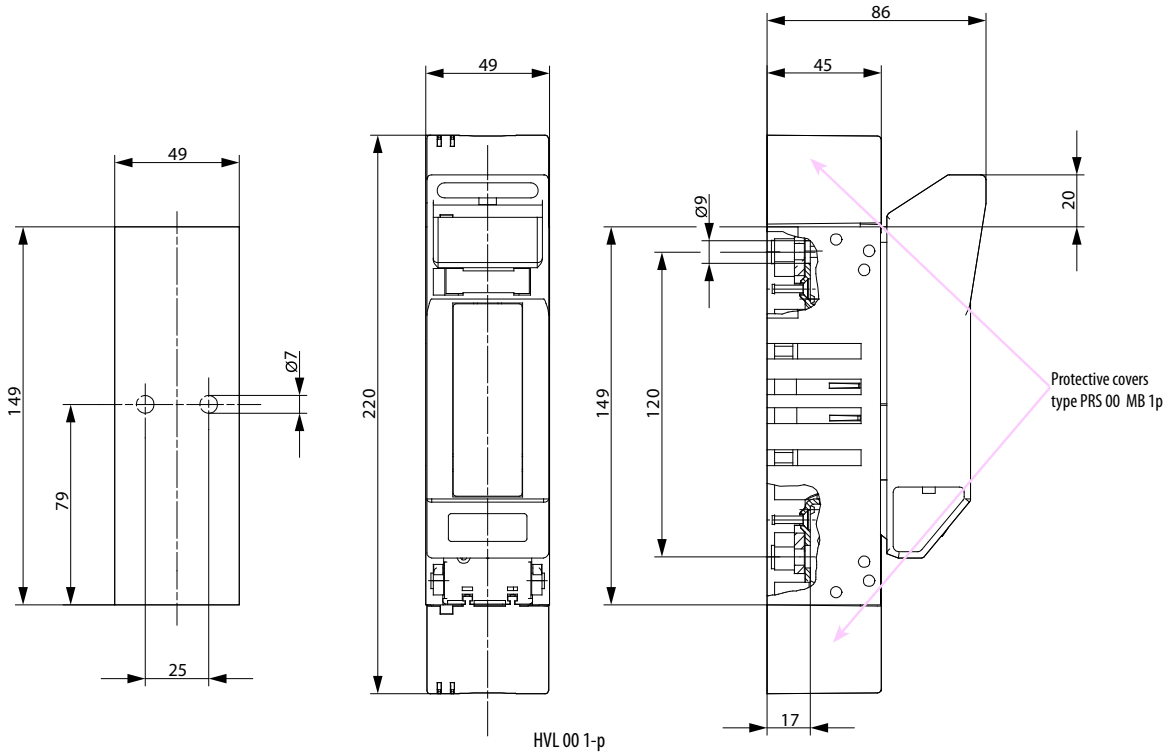
Technical data (in accordance with IEC/EN 60947-3)										
Technical Specifications			Size 00				Size 1			
Technical Characteristics										
Rated operational voltage	U_e	V	500 AC	690 AC	220 DC	440 DC	500 AC	690 AC	220 DC	440 DC
Rated operational current	I_e	A	160	100	160	100	250	200	250	200
Rated frequency	-	Hz	40-60	40-60	-	-	40-60	40-60	-	-
Rated insulation voltage	U_i	V	800 AC				800 AC			
Total power loss (without fuse)	P_v	W	7				13			
Utilisation category	-	-	AC22B	AC22B	DC22B	DC21B	AC22B	AC22B	DC22B	DC21B
Fuse links										
Size - DIN 43 620, IEC 6269-2	-	-	000/00				1			
Max. rated current (gG)	I_n	A	160	100	160	100	250	200	250	200
Max. permissible power lose per fuse link	P_v	W	12				23			
Screw	-	-	M8				M10			
Torque	M_a	Nm	12-15				30-35			
Clamp	-	mm ²	1,5-70				25-150			
Torque	M_a	Nm	2,6				9,5			
Protection										
Front cover close	-	-	IP20				IP20			
Front cover open	-	-	IP10				IP10			
Operating condition										
Ambient temperature	T_u	°C	-25 ... +55				-25 ... +55			
Operating condition	-	-	Continuous operation							
Mounting	-	-	vertical, horizontal							
Altitude	-	m	≤ 2000							
Pollution degree	-	-	3							
Overvoltage category	-	-	III				III			

Technical data (in accordance with IEC/EN 60947-3)										
Technical Specifications			Size 2				Size 3			
Technical Characteristics										
Rated operational voltage	U_e	V	500 AC	690 AC	220 DC	440 DC	500 AC	690 AC	220 DC	440 DC
Rated operational current	I_e	A	400	315	400	315	630	500	630	500
Rated frequency	-	Hz	40-60	40-60	-	-	40-60	40-60	-	-
Rated insulation voltage	U_i	V	800 AC				800 AC			
Total power loss (without fuse)	P_v	W	27				52			
Utilisation category	-	-	AC22B	AC22B	DC22B	DC21B	AC22B	AC22B	DC22B	DC21B
Fuse links										
Size - DIN 43 620, IEC 6269-2	-	-	2				3			
Max. rated current (gG/gL)	I_n	A	400	315	400	315	630	500	630	500
Max. permissible power lose per fuse link	P_v	W	34				48			
Screw	-	-	M10				M10			
Torque	M_a	Nm	30-35				30-35			
Clamp	-	mm ²	25-240				25-240			
Torque	M_a	Nm	23				23			
Protection										
Front cover close	-	-	IP20				IP20			
Front cover open	-	-	IP10				IP10			
Operating condition										
Ambient temperature	T_u	°C	-25 ... +55				-25 ... +55			
Operating condition	-	-	Continuous operation							
Mounting	-	-	vertical, horizontal							
Altitude	-	m	≤ 2000							
Pollution degree	-	-	3							
Overvoltage category	-	-	III				III			

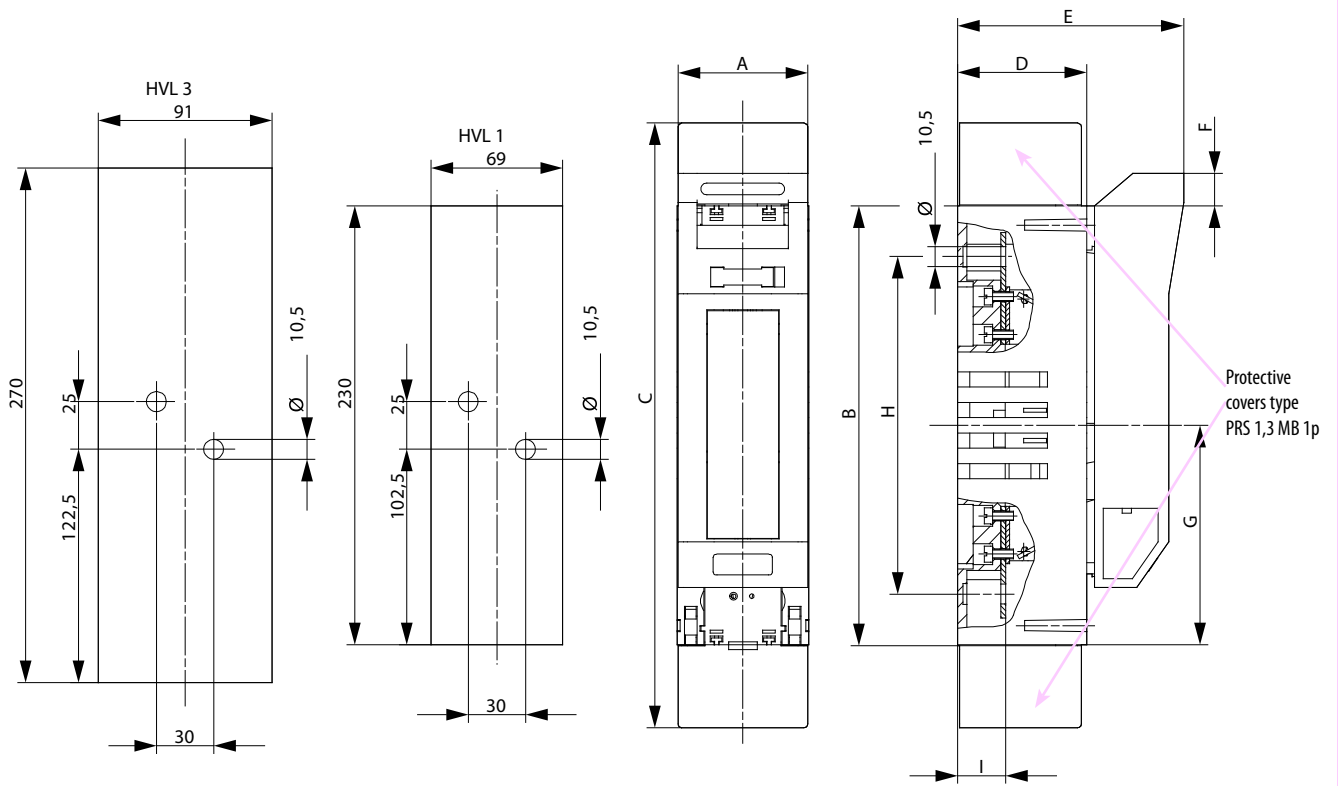
Technical data (in accordance with IEC/EN 60947-3)			
Technical Specifications		Size 4a/1250	Size 4a/1600
Technical Characteristics			
Rated operational voltage	U_e	V	690 AC
Rated operational current	I_e	A	1250
Rated frequency	-	Hz	40-60
Rated insulation voltage	U_i	V	AC800
Total power loss (without fuse)	P_v	W	32
Utilisation category	-	-	AC22B (500V/1250A) AC21B (690V/1000A)
Fuse links			
Size - DIN 43 620, IEC 6269-2	-	-	4a
Max. permissible power lose per fuse link	P_v	W	110
Screw	-	-	1xM16
Torque	M_a	Nm	50-60
Protection			
Front cover close	-	-	IP20
Front cover open	-	-	IP10
Operating condition			
Ambient temperature	T_u	°C	-25 ... +55
Operating condition	-	-	Continuous operation
Mounting	-	-	vertical, horizontal
Altitude	-	m	≤ 2000
Pollution degree	-	-	3
Overvoltage category	-	-	III



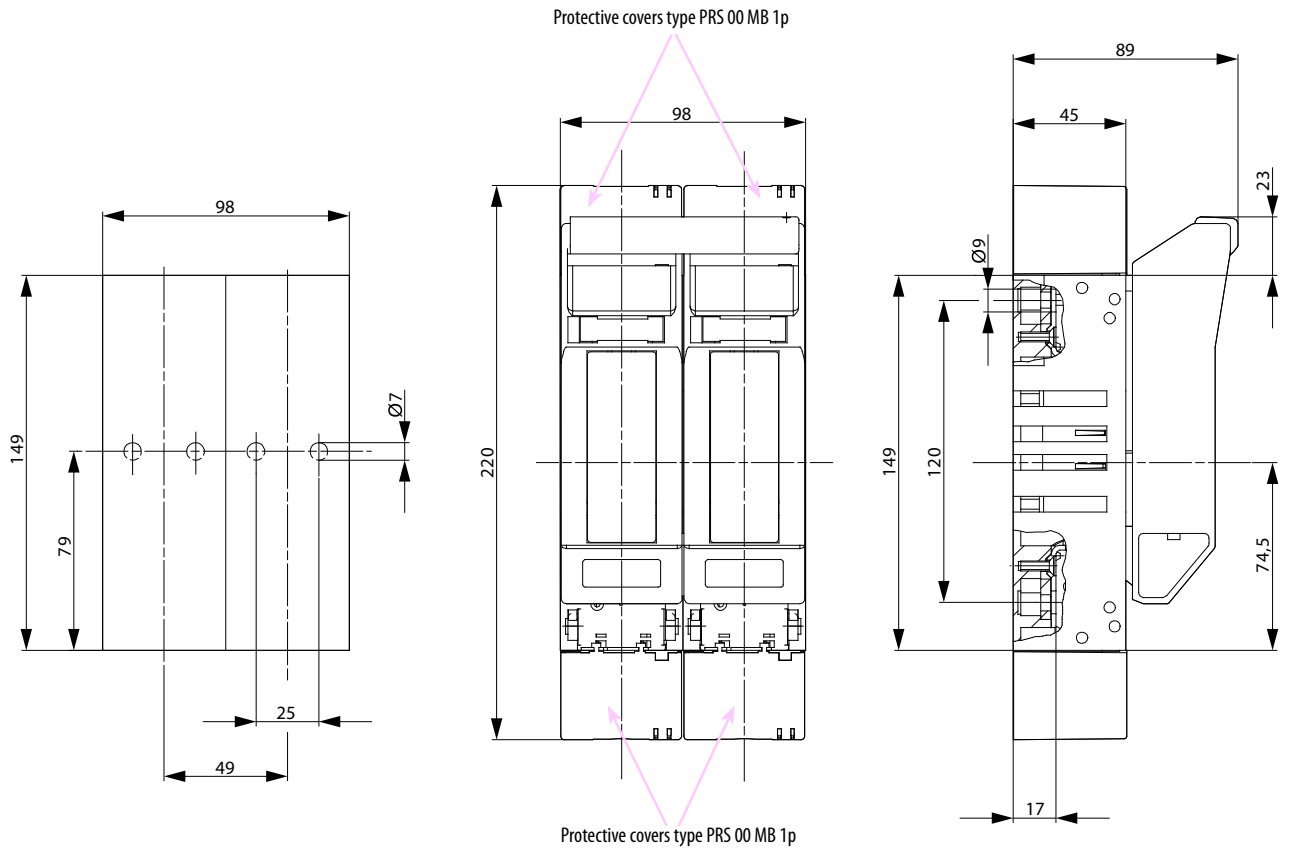
HVL 00,1,2,3 - 3p



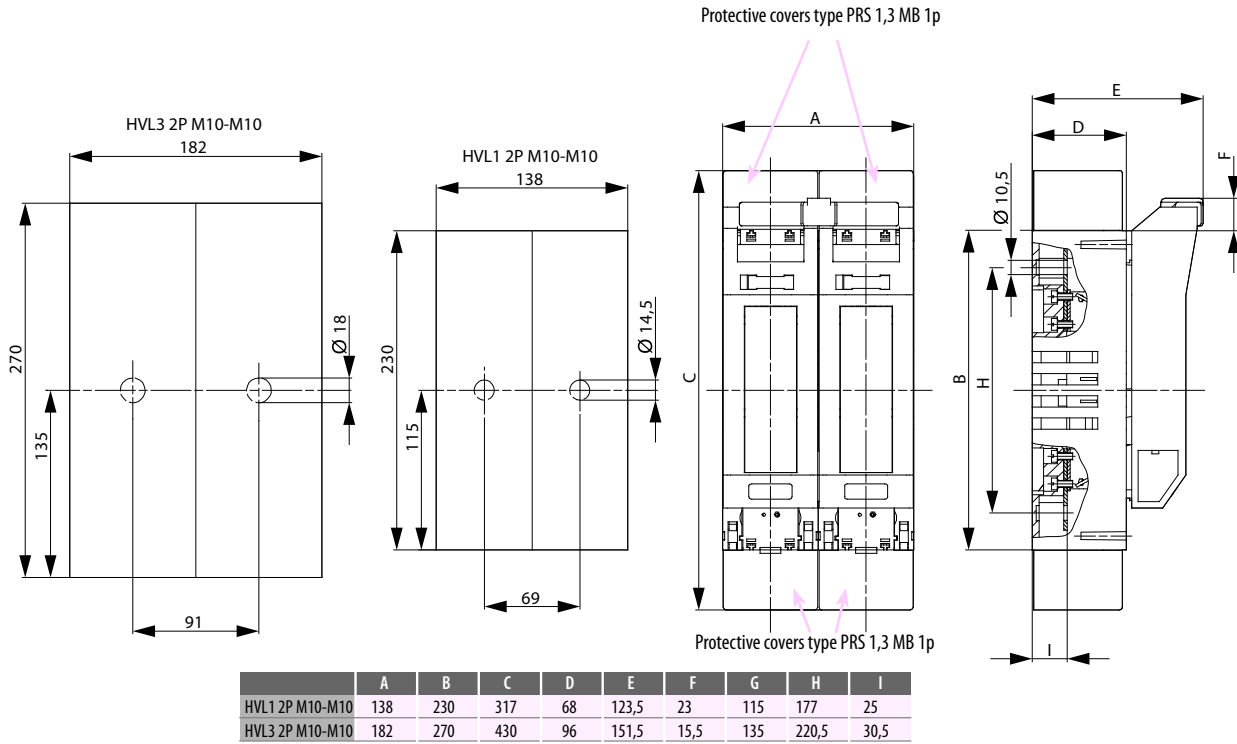
Technical data



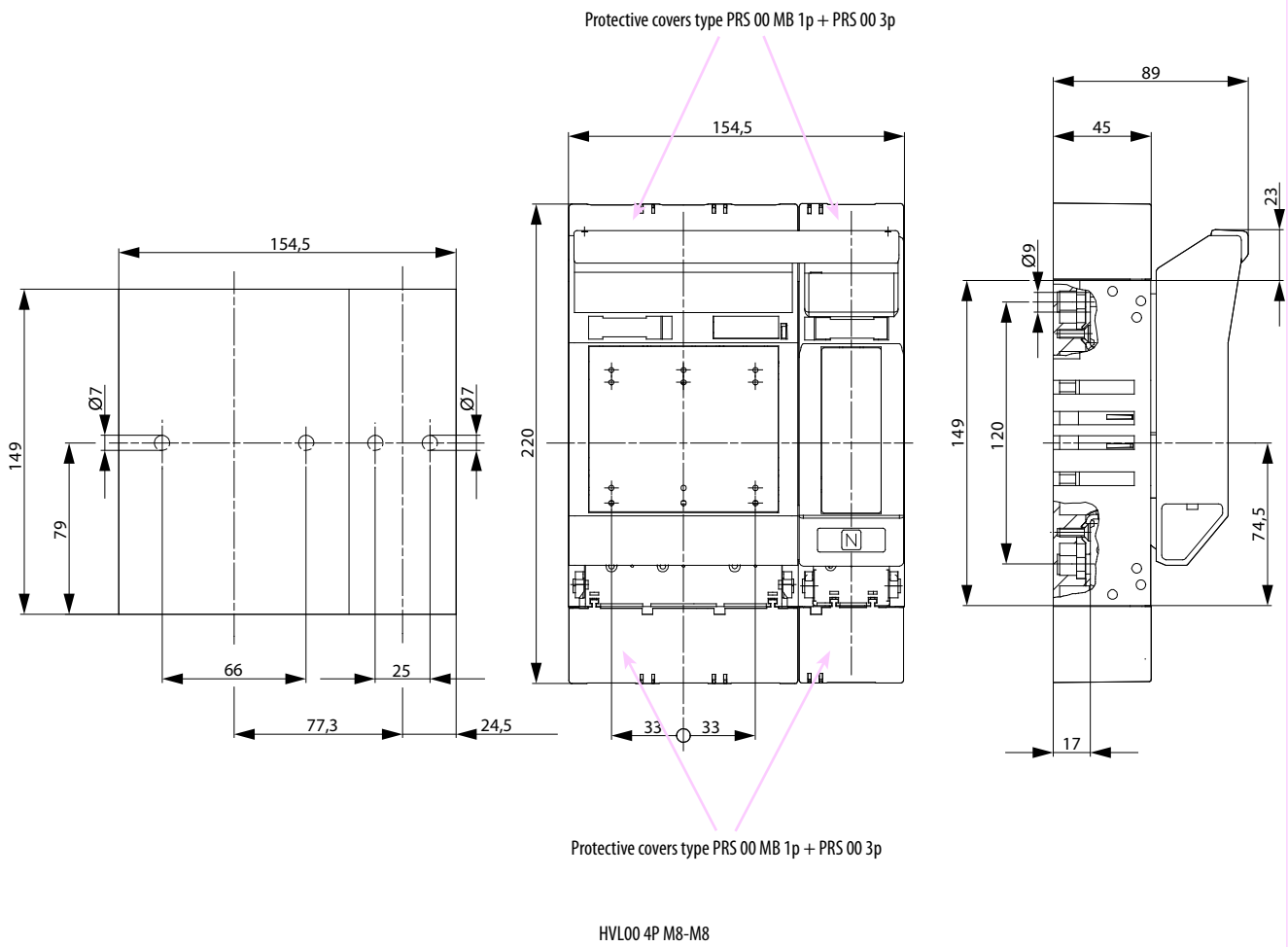
HVL 1 & HVL 3



HVL00 2P M8-M8

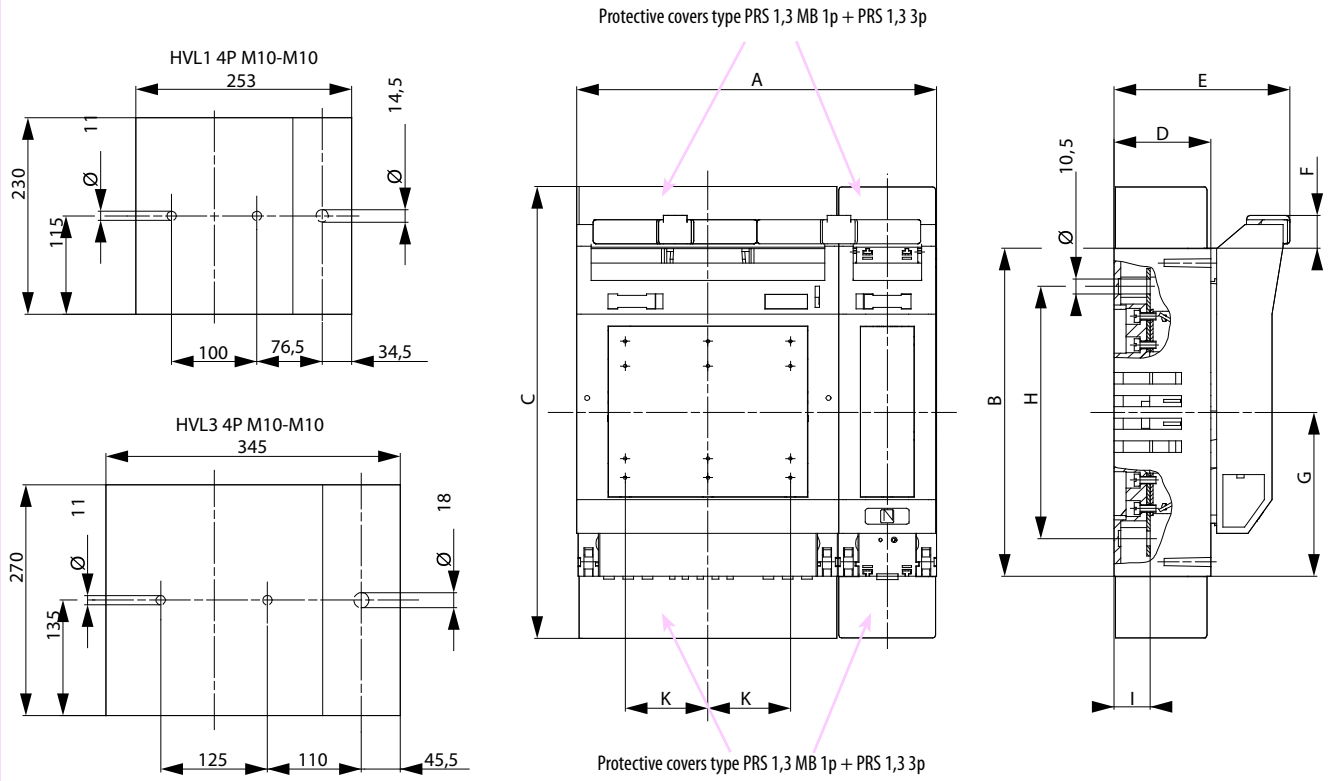


HVL1, 3 2P M10-M10



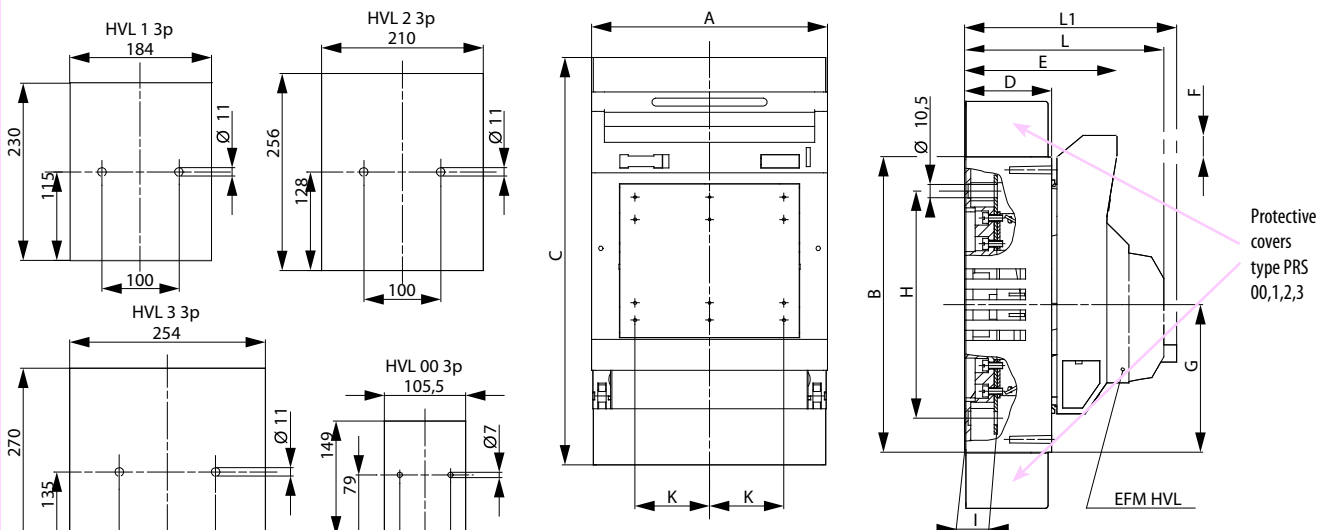
NV/NH

Technical data



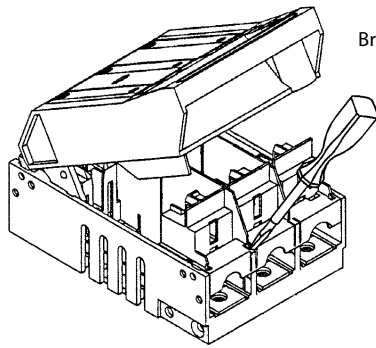
	A	B	C	D	E	F	G	H	I	K
HVL1 4P M10-M10	253	230	317	68	123,5	23	115	177	25	58
HVL3 4P M10-M10	345	270	430	96	151,5	15,5	135	220,5	30,5	82

HVL1, 3 4P M10-M10

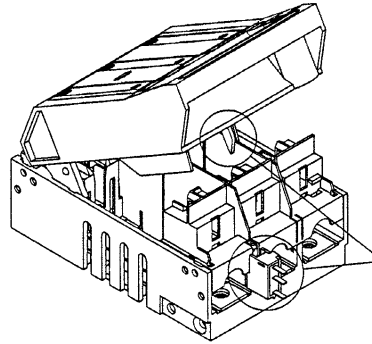


	A	B	C	D	E	F	G	H	I	K	L	L1
HVL00 3p	105,5	149	220	45	86	20,5	74,5	120	17	33	116	126
HVL1 3p	184	230	317	68	119	16,5	115	177	25	58	149	159
HVL2 3p	210	256	397	81	133	16,5	128	205	25	66	163	173
HVL3 3p	254	270	430	96	147	9	135	220,5	30,5	82	177	187

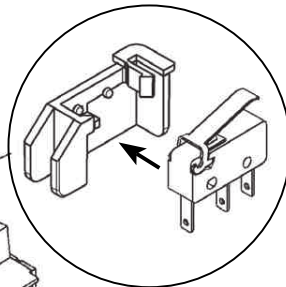
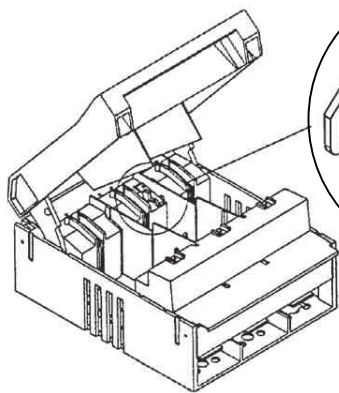
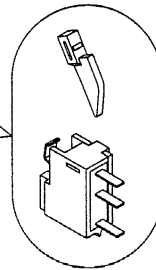
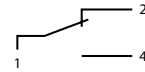
HVL 00, 1, 3 – 3p EFM



Break off the part on the top protective cover



5A / AC 250V
0,35A / DC 110V
0,1A / DC 250V



5A / AC 250V
0,35A / DC 110V
0,1A / DC 250V

