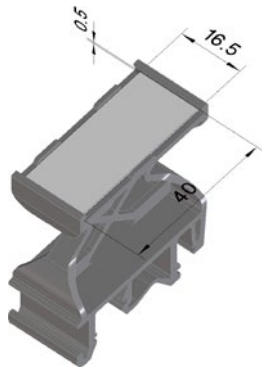


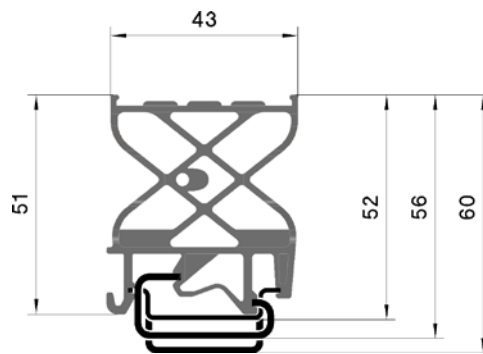
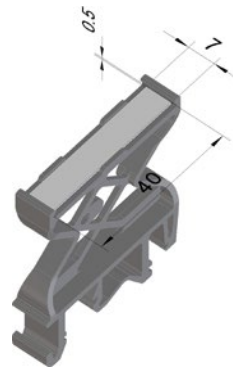
Technical data

Dimensions

ES-PTM + ES-TA1640AW



ES-PTMS + ES-TA407AW



Features

- ES-PZM.4 cover suitable for terminal blocks with overall dimension up to approximately 58 mm (mounting rail included).
- ES-PZM.6 cover suitable for terminal blocks with overall dimension over 58 mm, (mounting rail included).

Technical data for ES-PZM Series

	ES-PZM.4	ES-PZM.6	ES-PZM.4 + ES-PZD.4/SO	ES-PZM.6 + ES-PZD.6/SO
TECHNICAL CHARACTERISTICS				
Dimensions (mm)	a = 64+2 / b = 32	a = 85+2 / b = 36		
Mounted with support	ES-PZD.4/SO	ES-PZD.6/SO		
Maximum dimension: (mm)				
on IEC 60715/G32 mounting rail			70 / 82 (*)	82 / 94 (*)
on IEC 60715/TH35 mounting rail			65 / 77 (*)	78 / 90 (*)

(*) depending on the notches used, upper or lower.