

# DIDO-E ECG

Flush mounted enclosures with super thin design, metal or plastic door

Distribution boards for installation in hollow walls by IEC 60670-24

## DISTRIBUTION BOARDS



# Flush mounted distribution boards

## Flush mounted enclosures with super thin design (metal or plastic door) DIDO-E ECG



**Description**

DIDO ECG are flush-mounted compact distribution boxes. They are suitable for installation in homes, schools and commercial buildings.

Main characteristics:

- Class II, double insulated
- Cable entrance from top or bottom
- Device cover with opening for 12 modules per row + 2 blended (can be removed). Can be sealed
- Thin design, 88mm depth in wall and 7mm outside the wall.
- Color: White RAL 9003

Enclosures are completely assembled with all necessary parts, such as:

- DIN rail
- Insulated terminals, neutral and ground
- Covers for free space
- Needed installation accessories for concrete and hollow walls
- Instruction manual



**Flush mounted distribution board - metal door, white**

Type	Code No.	Number of modules	Weight [g]	Packaging [pcs]	Rows
ECG14	001101025	12+2	2000	1/1	1
ECG28	001101026	24+4	2500	1/1	2
ECG42	001101027	36+6	3000	1/1	3
ECG56	001101028	48+8	3500	1/1	4

\*Rear side plastics conforms 650°C glow wire test; enclosures conforming 850°C glow wire test according to 60670-24, demand for hollow wall installation, can be ordered separately

## Distribution boards

### Flush mounted distribution board - plastic door - transparent

Type	Code No.	Number of modules	Weight [g]	Packaging [pcs]	Rows
ECCG14PT	001101180	12+2	1900	5	1
ECCG28PT	001101181	24+4	2400	5	2
ECCG42PT	001101182	36+6	2900	5	3

\*Rear side plastics conforms 650°C glow wire test (not appropriate for wooden or hollow walls - IEC 60670-24)

#### ENCLOSURE FOR MULTIMEDIA AND COMMUNICATION DEVICES

- Telephone connection
- Modems and routers (for wireless use plastic door!)
- Antenna, cable or satellite TV connection
- Included perforated mounting plate (zinc plated steel),
- Included installation accessories for concrete and hollow walls

### Flush mounted multimedia distribution board - metal door, white

Type	Code No.	Number of mounting plates	Weight [g]	Packaging [pcs]
ECCG14MEDIA	001101152	1	2000	1
ECCG28MEDIA	001101153	2	2500	1
ECCG42MEDIA	001101154	3	3000	1
ECCG56MEDIA	001101155	4	3500	1

\*Rear side plastics conforms 650°C glow wire test; enclosures conforming 850°C glow wire test according to 60670-24, demand for hollow wall installation, can be ordered separately

### Flush mounted multimedia distribution board - plastic door - transparent

Type	Code No.	Number of mounting plates	Weight [g]	Packaging [pcs]
ECCG14MEDIAPT	001101186	1	2000	5
ECCG28MEDIAPT	001101187	2	2500	5
ECCG42MEDIAPT	001101188	3	3000	5

\*Rear side plastics conforms 650°C glow wire test (not appropriate for wooden or hollow walls - IEC 60670-24)



## Distribution boards for installation in hollow walls by IEC 60670-24 DIDO-E ECG\_H

**Description**

DIDO ECG are flush-mounted compact distribution boxes. They are suitable for installation in homes, schools and commercial buildings.

Main characteristics:

- Class II, double insulated
- Cable entrance from top or bottom
- Device cover with opening for 12 modules per row + 2 blended (can be removed). Can be sealed
- Thin design, 88mm depth in wall and 7mm outside the wall.
- Color: White RAL 9003

Enclosures are completely assembled with all necessary parts, such as:

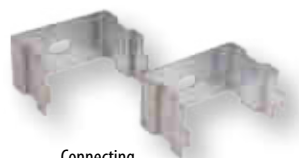
- DIN rail
- Insulated terminals, neutral and ground
- Covers for free space
- Needed installation accessories for concrete and hollow walls
- Instruction manual

**Flush mounted distribution board with metal door**

Type	Code No.	Number of modules	Weight [g]	Packaging [pcs]	Rows
ECG14H	001101160	12+2	2000	1/1	1
ECG28H	001101161	24+4	2500	1/1	2
ECG42H	001101162	36+6	3000	1/1	3
ECG56H	001101163	48+8	3500	1/1	4

Conforms 850°C glow wire test according to IEC60670-24 for hollow wall installation

## Accessories



Connecting brackets



Terminal

**Accessories DIDO ECG**

Type	Description	Code No.	Weight [g]	Packaging [pcs]
ECGLK-p	Plastic lock, including 2 keys	001101150	20	1
ECGLK-m	Metal lock, including 2 keys	001101151	20	1
E-KEY	Universal key for all DIDO-E locks	001101059	10	1
ECGBR*	Connecting brackets	001101175	100	1
PST-UNI	Terminal	001101051	100	1/25
MP-E	Modular cover	001101052	26	10/500

\*1 set includes 1 pair of brackets needed to mechanically connect two distribution boards

PST-UNI is an extra insulating terminal (2x15)

## Technical data

## Technical data

### Technical data

Degree of protection	IP 40
Colour	white, RAL 9003
Insulation class:*	□
Standard	IEC60670-24
Installation temperature	-25° / +60°C
Halogen free	✓
Terminal holder	Self extinguish material

\*not valid for ECG MEDIA

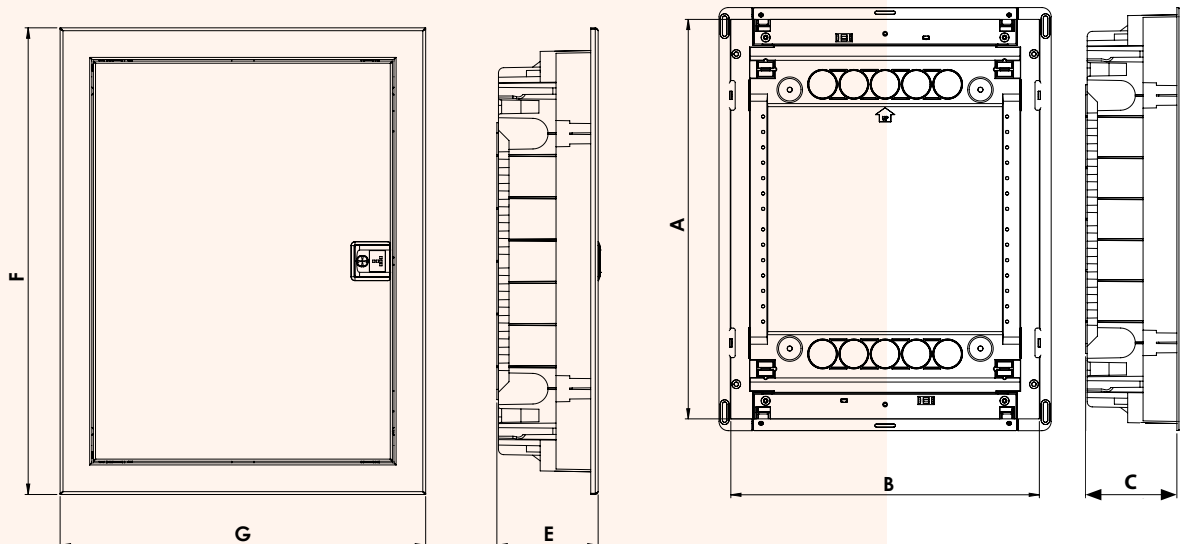
### Number of N - PE terminals:

ECG14	2x10 10 PE / 10 N
ECG28	2x13 13 PE / 13 N
ECG42	2x15 15 PE / 15 N
ECG56	2x20 20 PE / 20 N

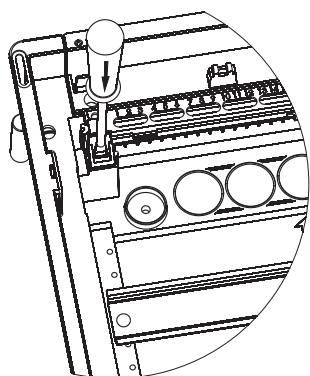
- ECG14, ECG28, ECG42 have 1 additional free space to build in an extra PST-UNI terminal.
- ECG56 has 3 additional free spaces to build in up to 3 extra PST-UNI terminals.

### Dimensions

type	Dimensions						Max. allowed power losses when Max. number of devices are installed Pde
	A	B	C	E	F	G	
ECG14	274 mm	306 mm	88 mm	96 mm	317 mm	346 mm	31W
ECG28	399 mm	306 mm	88 mm	96 mm	442 mm	346 mm	40W
ECG42	549 mm	306 mm	88 mm	96 mm	592 mm	346 mm	50W
ECG56	673 mm	306 mm	88 mm	96 mm	717 mm	346 mm	60W

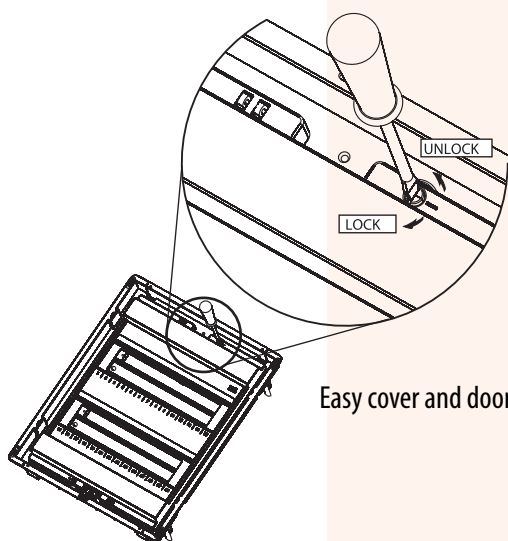
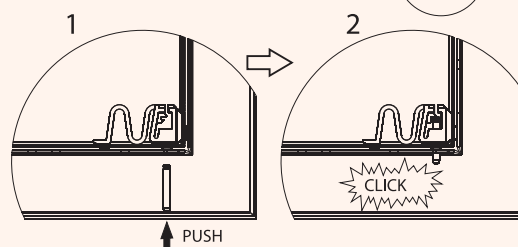
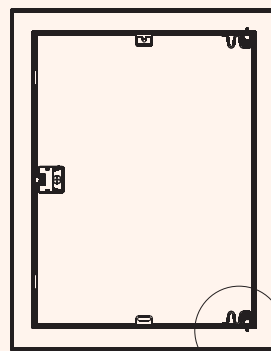


Advantages

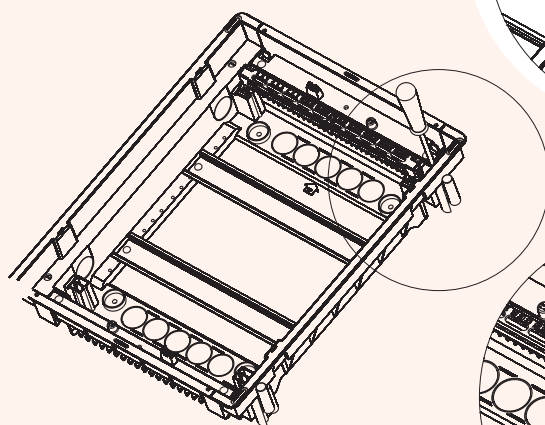
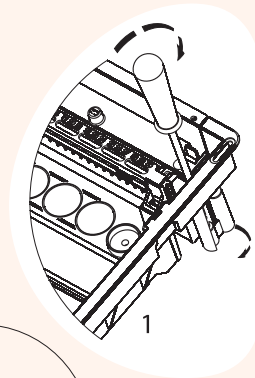


Easy terminal mounting

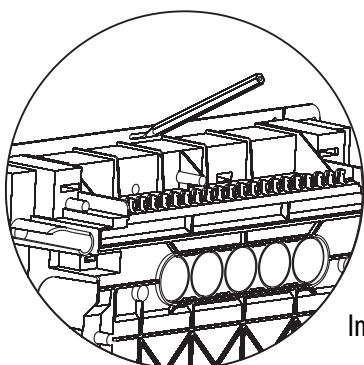
Left or right door mounting



Easy cover and door mounting



Holders for secure hollow wall installation



Installation marking slots for hollow walls

Distribution boards

