

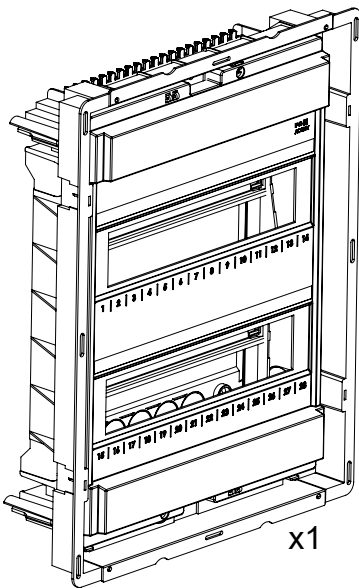
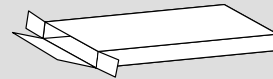
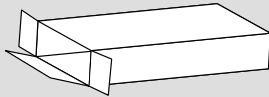
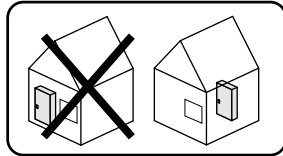
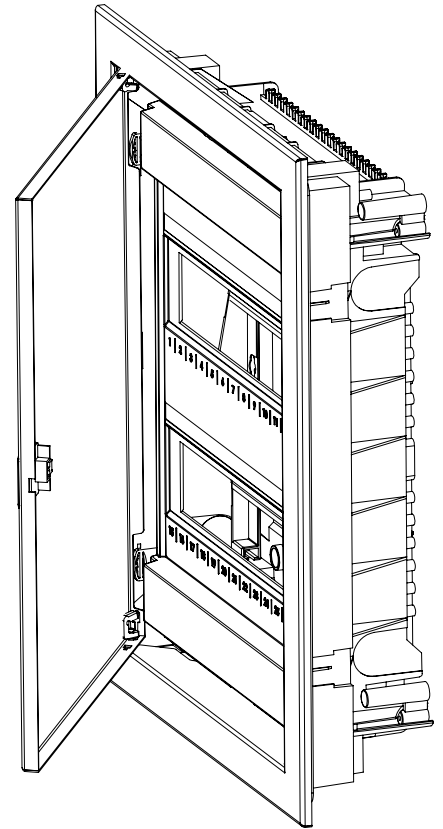


ETI Elektroelement d.o.o
Obrezija 5
1411 Izlake
Slovenia

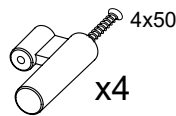
ETI Polam Sp.z.o.o.
ul. Jana Pawła II 18
06-100 Pułtusk
Polska

- | | |
|----|--------------------------|
| DE | Montageanleitung |
| FR | Notice d'instructions |
| GB | Mounting instructions |
| NL | Montage instructie |
| DK | Monteringsvejledning |
| FI | Asennusohje |
| NO | Montasjeanvisning |
| SE | Monterings instruktioner |
| IT | Istruzioni di montaggio |
| ES | Instrucciones de montaje |
| PT | Instruções de montagem |
| CZ | Montážní návod |
| BA | Uputstvo za montažu |
| SR | Uputstvo za montažu |
| UK | Керівництво з монтажу |
- EAC**

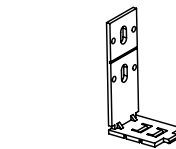
- | | |
|----|-------------------------|
| HR | Upute za montažu |
| HU | Szerelési útmutató |
| LT | Montavimo instrukcija |
| LV | Montāžas instrukcija |
| PL | Instrukcja montażowa |
| RO | Instructiuni de montare |
| SK | Návod na montáž |
| RU | Руководство по монтажу |
| BG | Инструкции за монтаж |
| GR | Οδηγίες χώνευσης |
| SI | Navodilo za montažo |
| EE | Paigaldusjuhised |
| IS | Leiðbeiningar |
| AR | دليل التركيب |
- EAC**



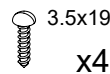
x1



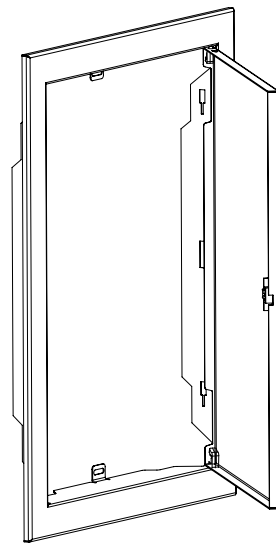
x4



x4



x4

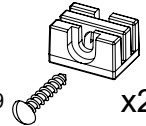


x1

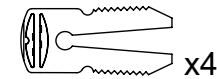


x2

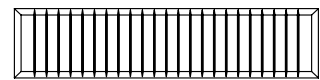
3.5x19



x2



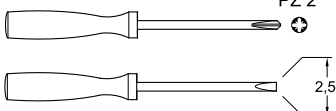
x4



x1

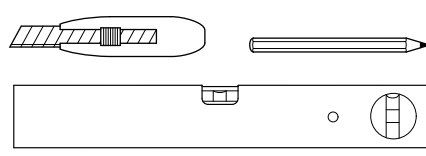


ECG, ECGH

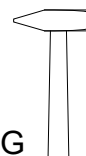


PZ 2

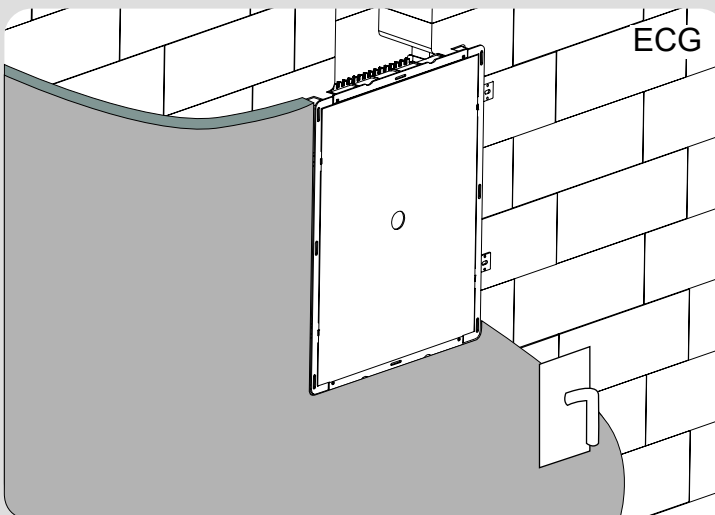
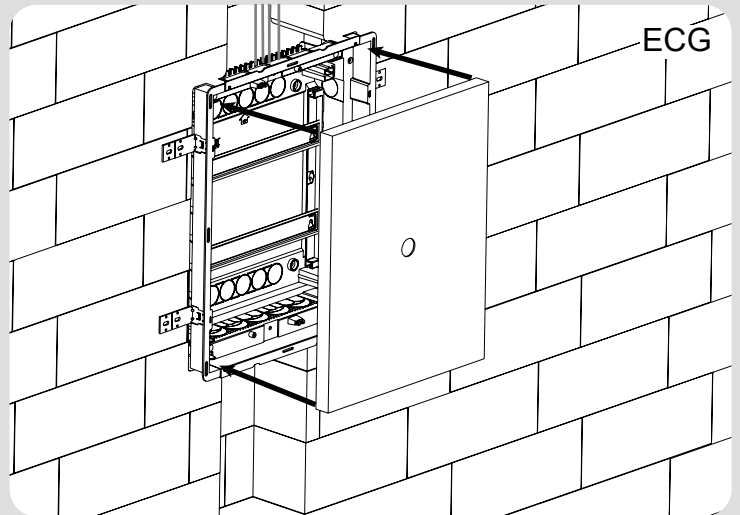
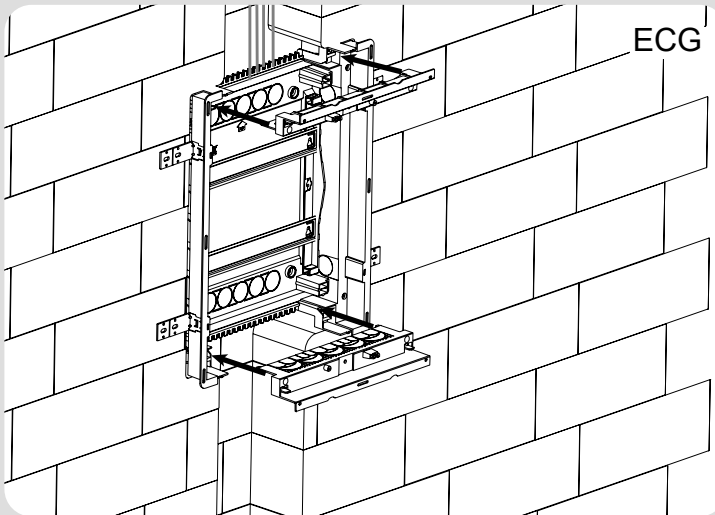
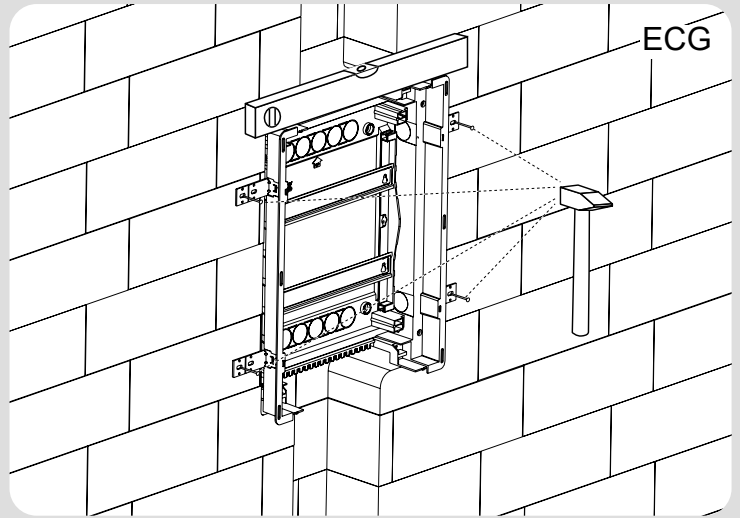
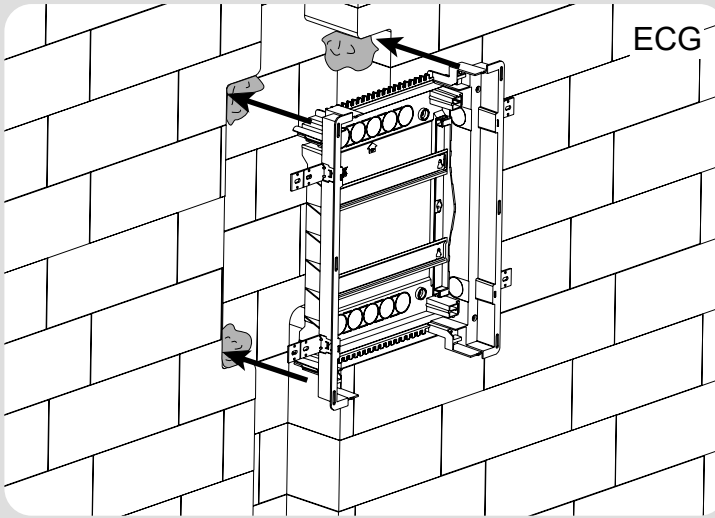
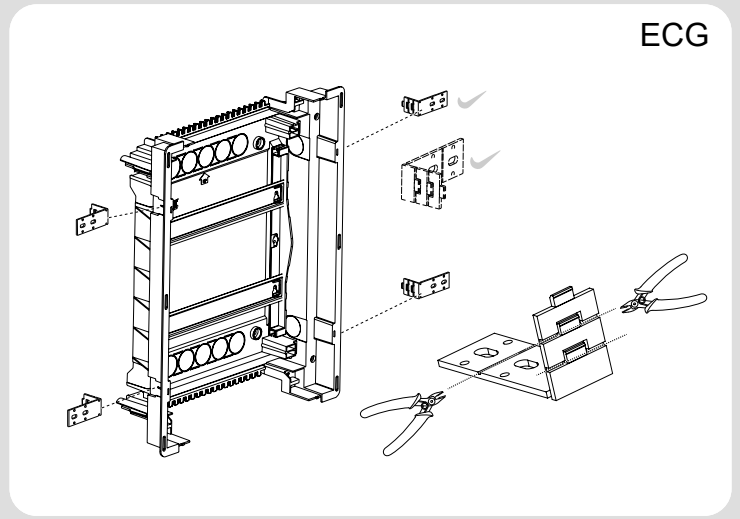
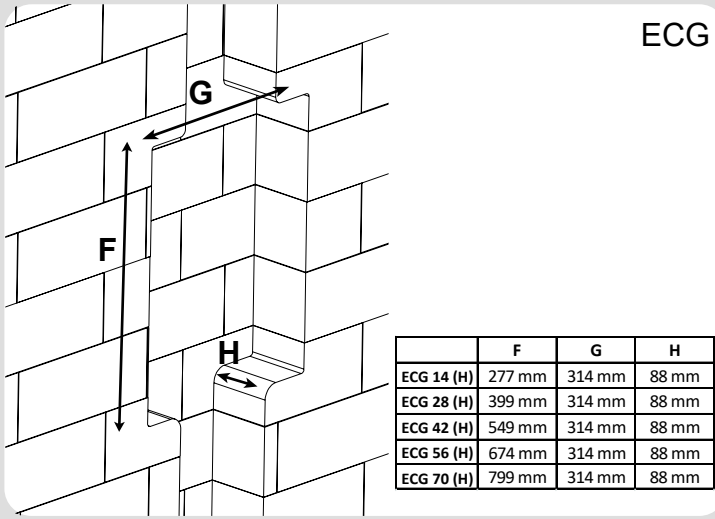
2.5



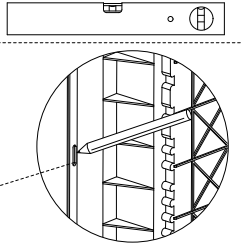
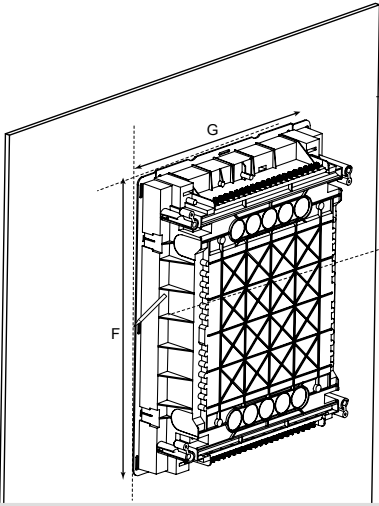
ECG



ECGH

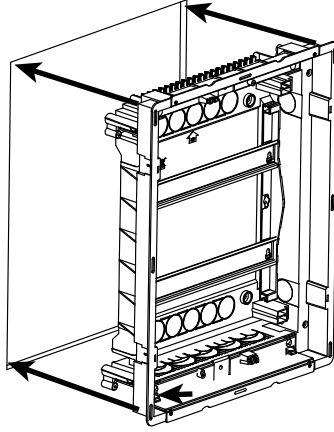


ECGH

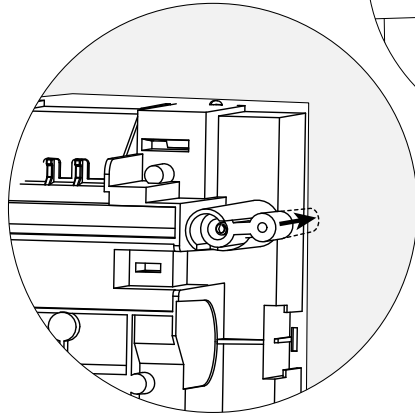
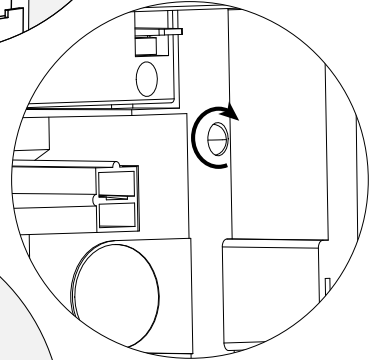
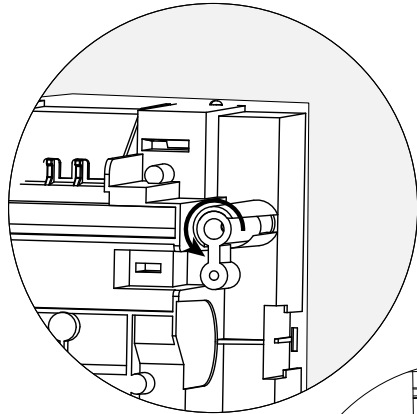
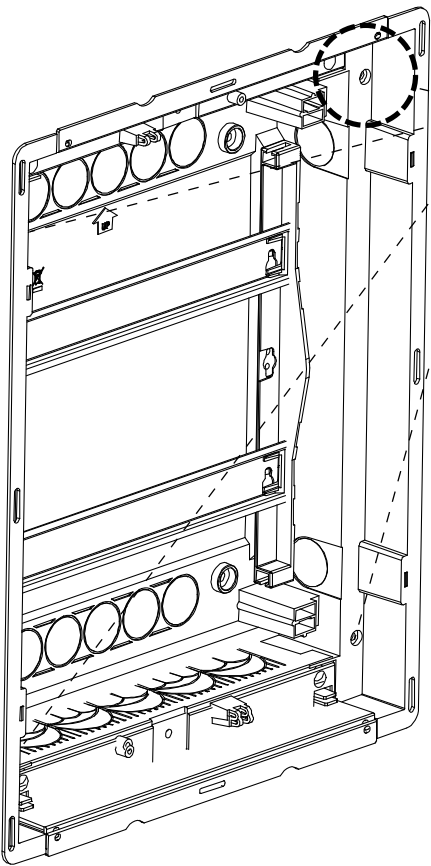


	F	G
ECG 14 (H)	277 mm	314 mm
ECG 28 (H)	399 mm	314 mm
ECG 42 (H)	549 mm	314 mm
ECG 56 (H)	674 mm	314 mm
ECG 70 (H)	799 mm	314 mm

ECGH

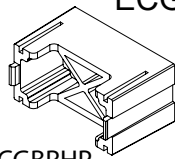
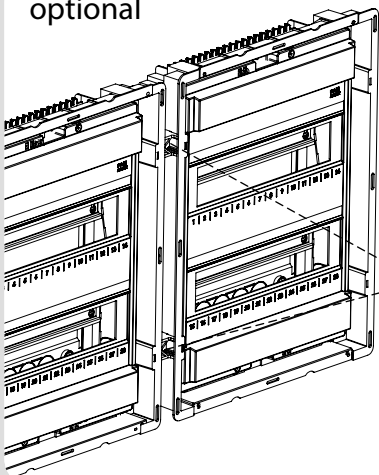


ECGH

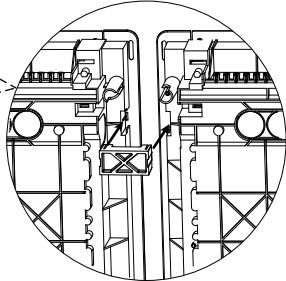


optional

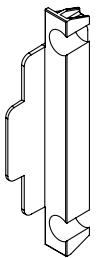
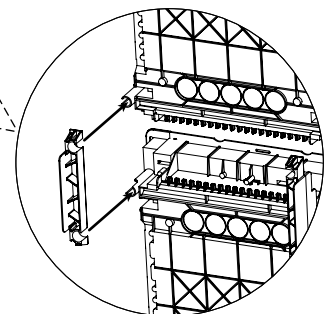
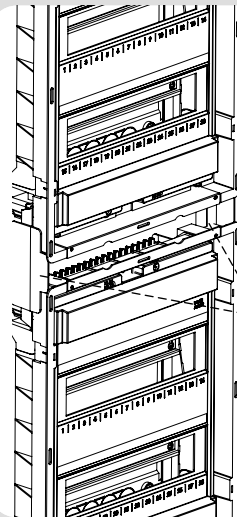
ECG ECGH



ECGBRHP

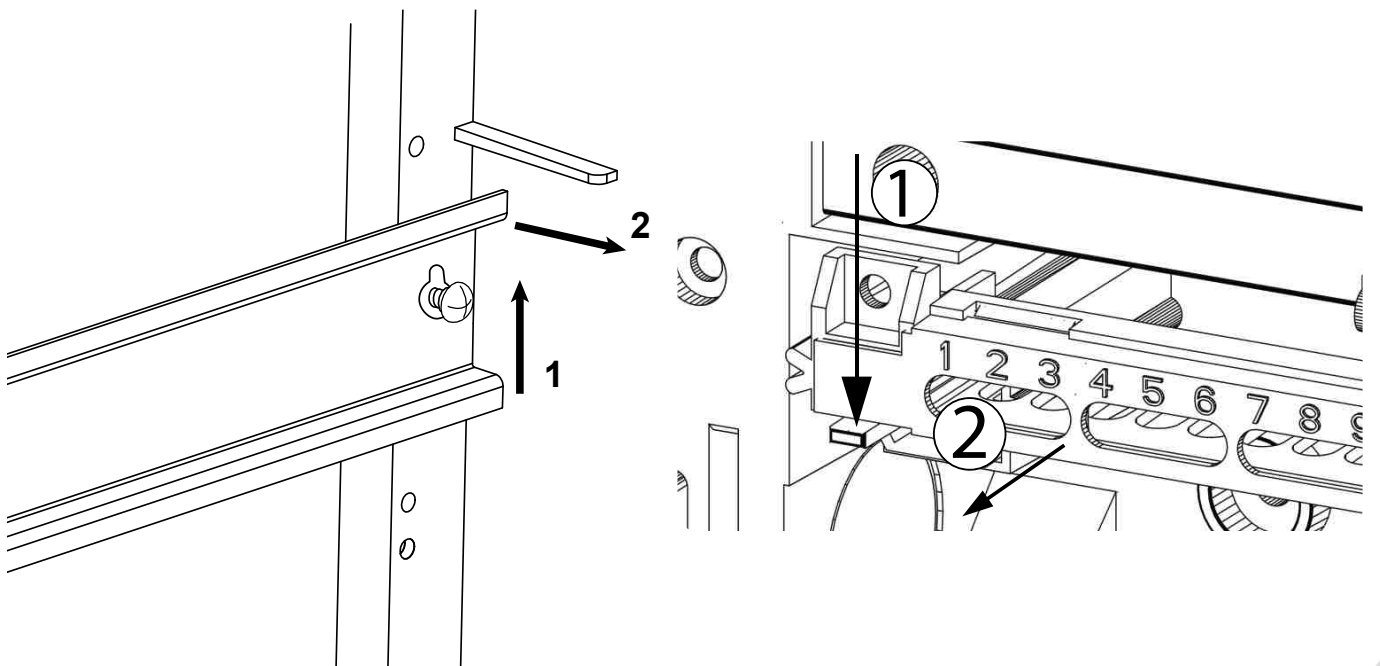
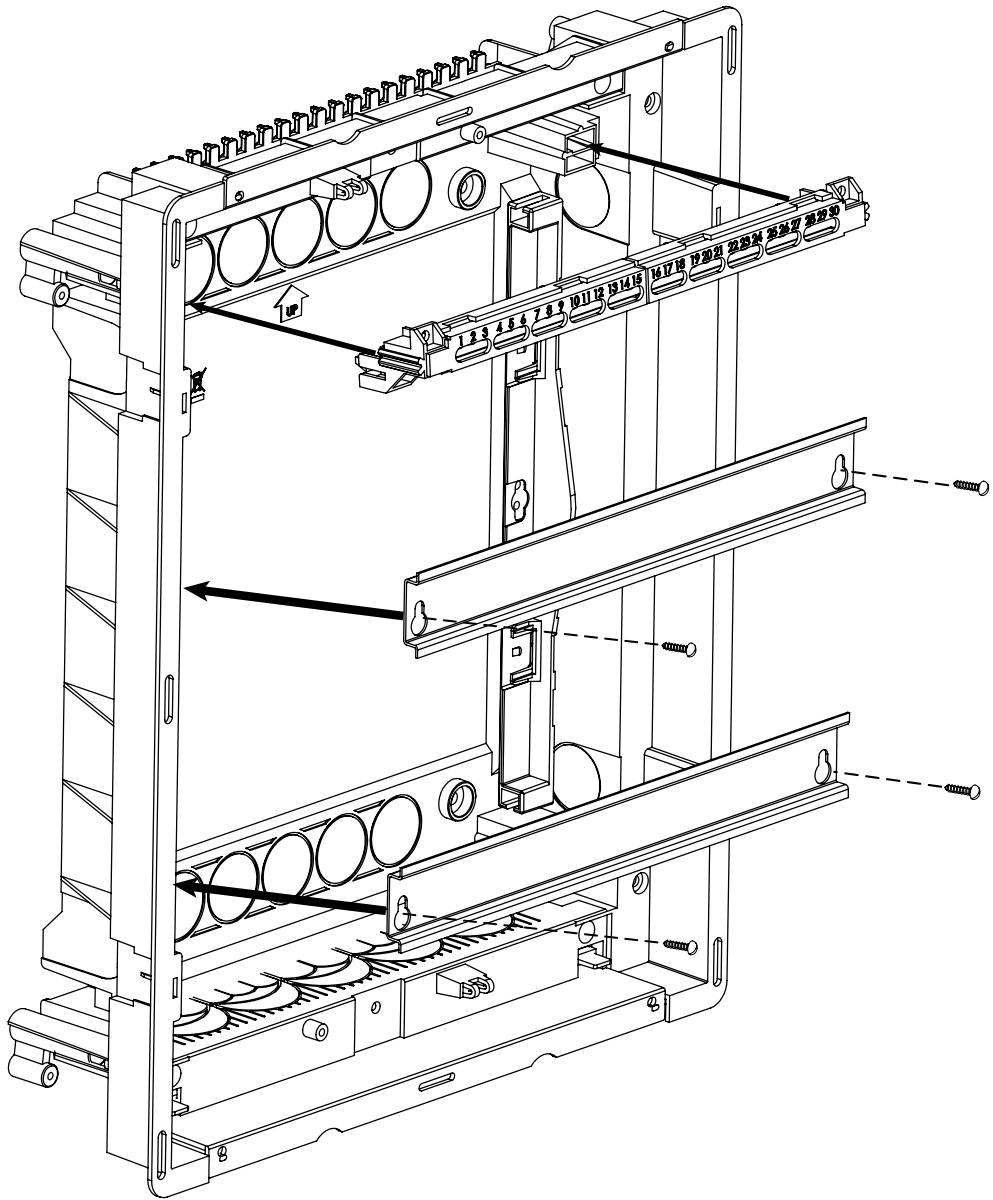


optional ECG ECGH

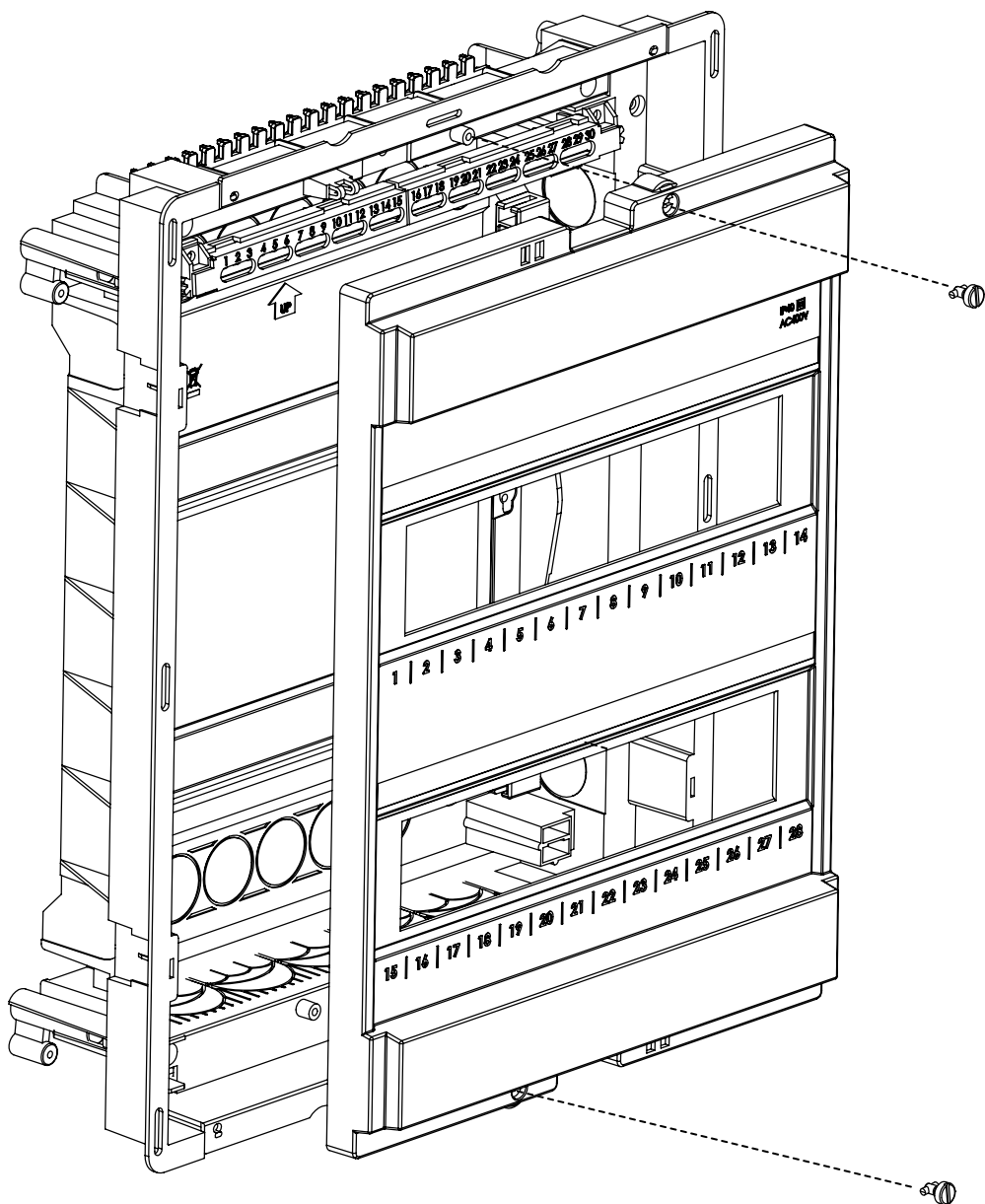
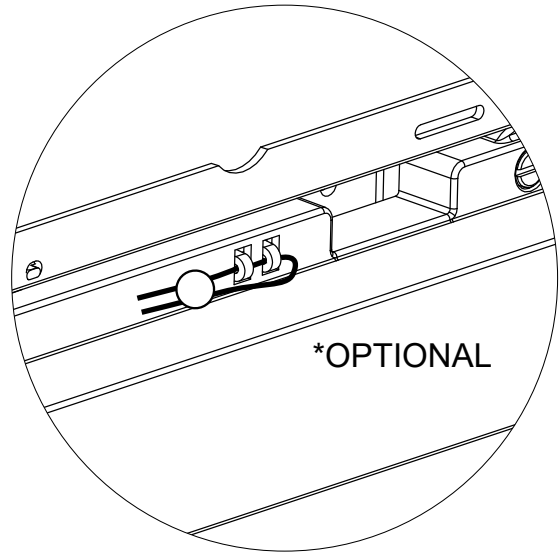
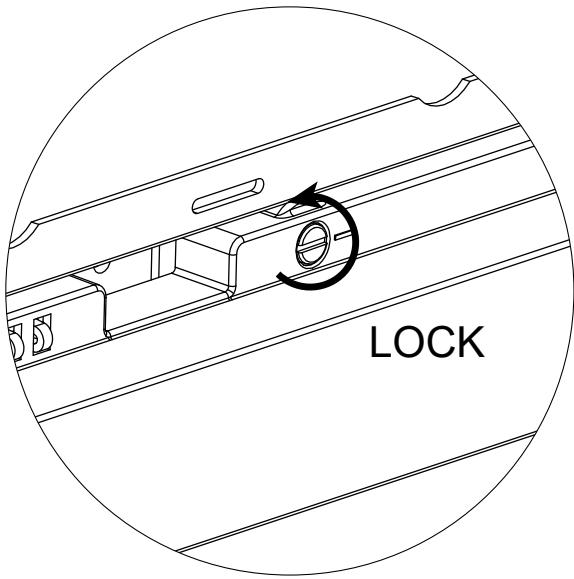


ECGBRV

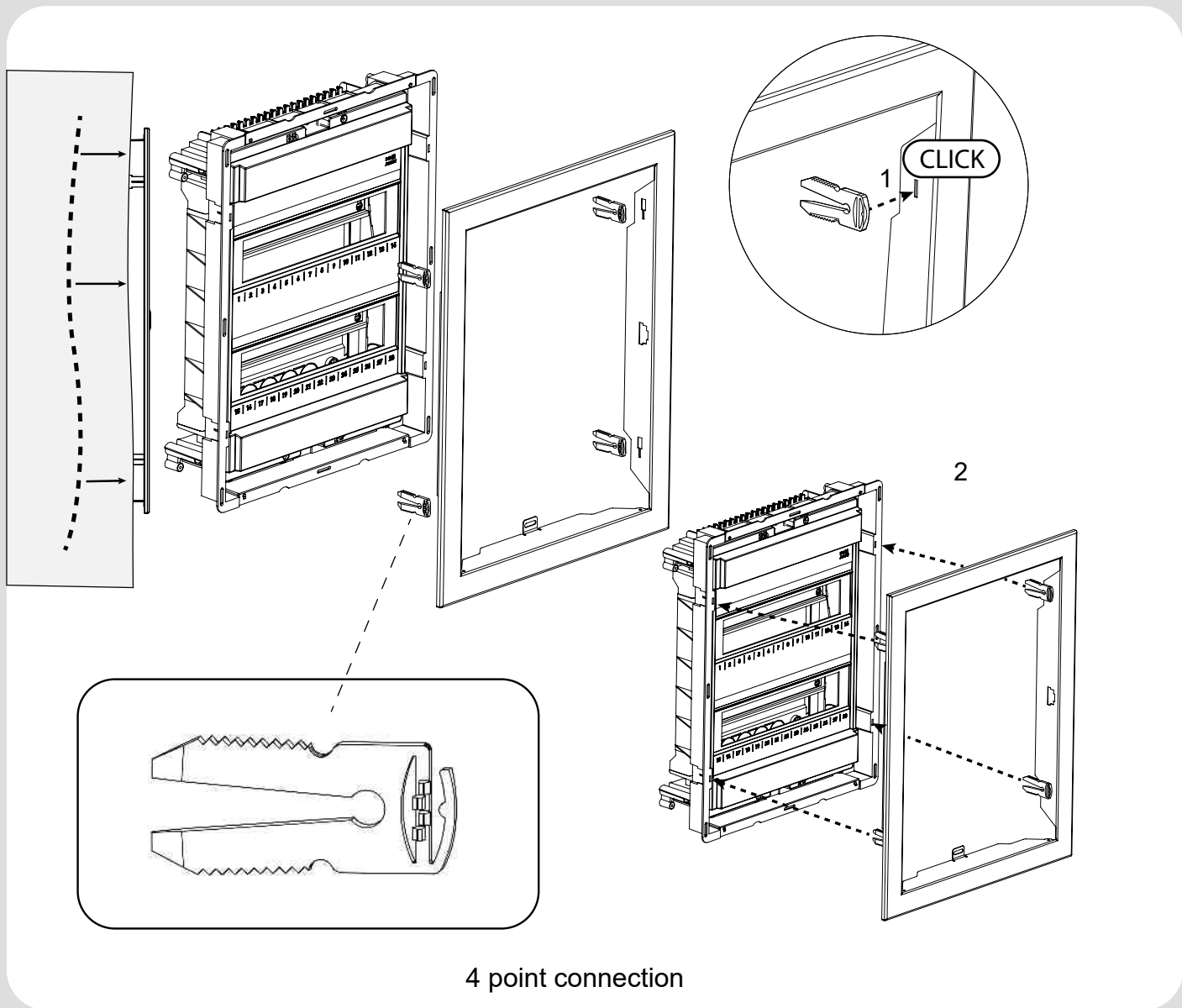
ECG, ECGH



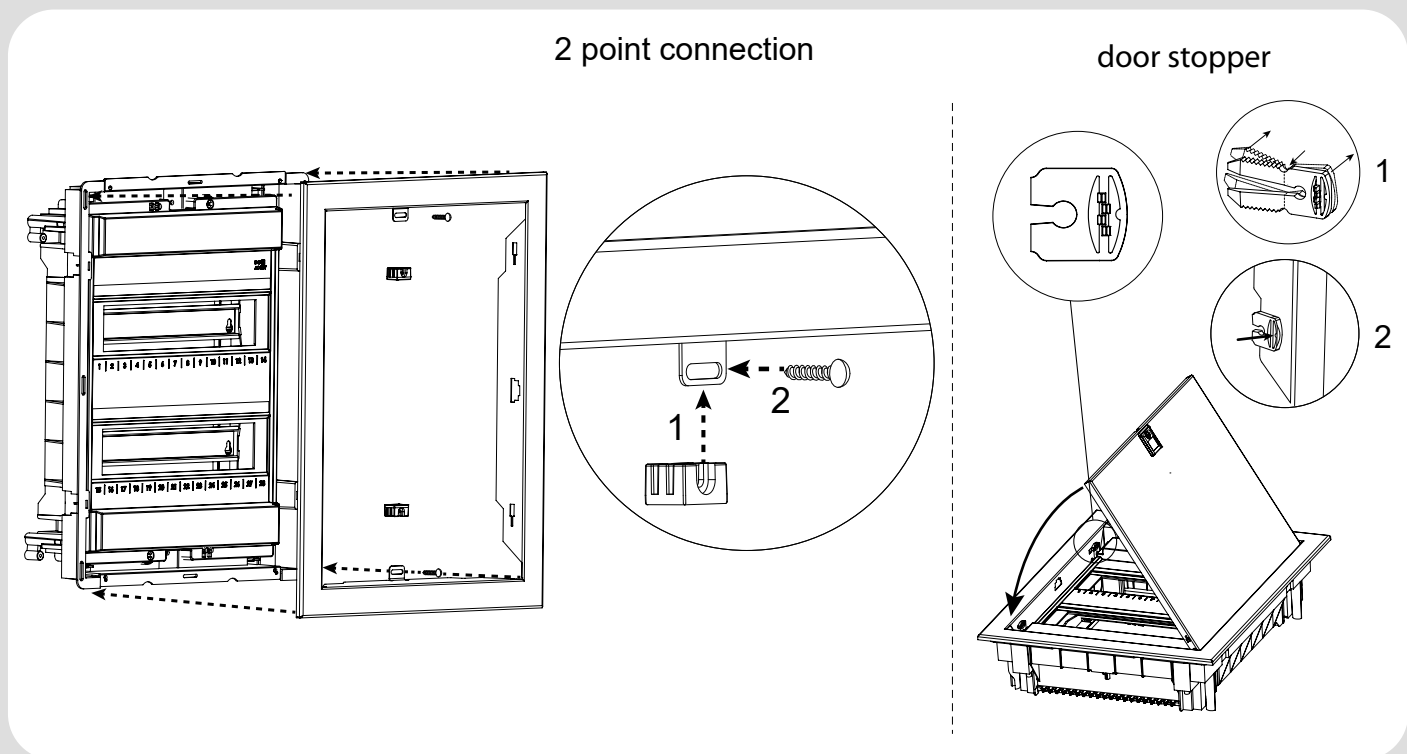
ECG, ECGH



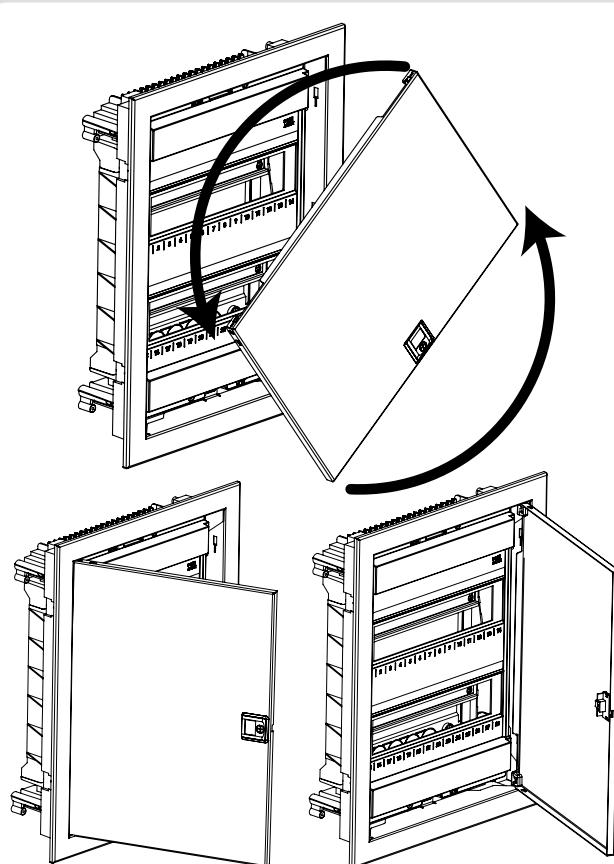
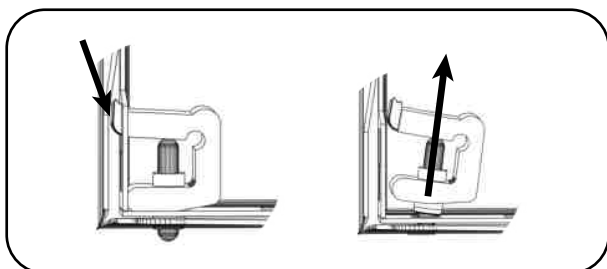
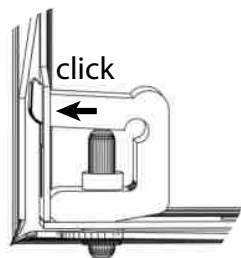
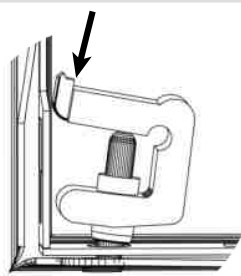
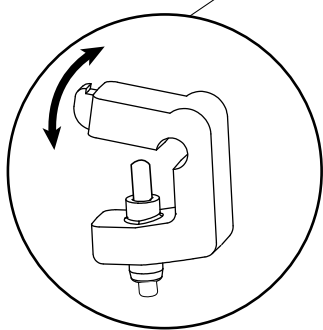
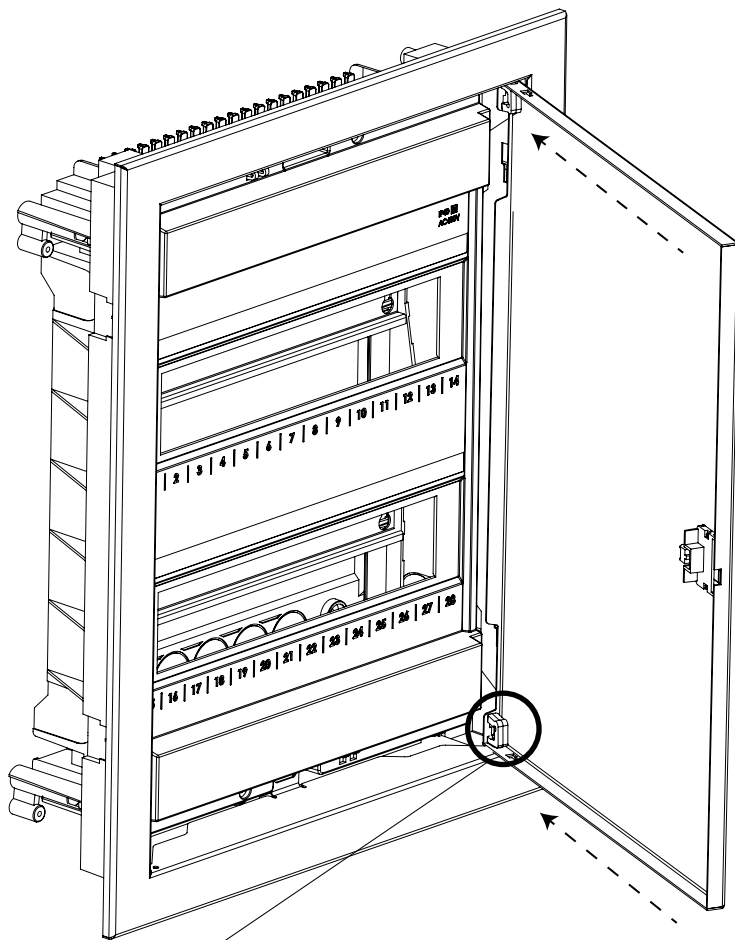
ECG, ECGH

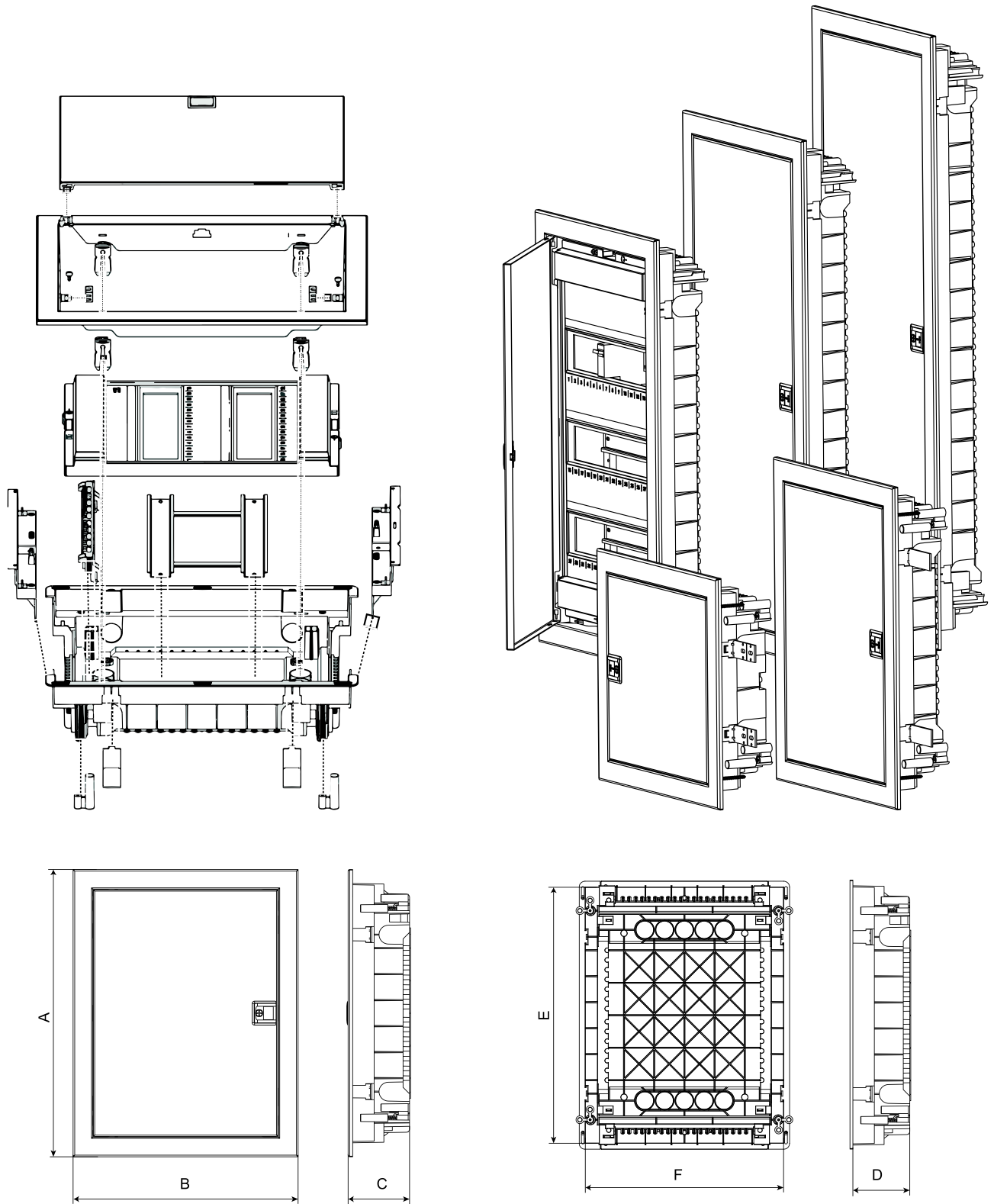


OR



ECG, ECGH





	A	B	C	D	E	F	PDE	Static load
ECG14, ECG14H	317 mm	346 mm	92 mm	87 mm	274 mm	306 mm	31 W	1820 g
ECG28, ECG28H	442 mm	346 mm	92 mm	87 mm	399 mm	306 mm	40 W	1820 g
ECG42, ECG42H	592 mm	346 mm	92 mm	87 mm	549 mm	306 mm	50 W	1820 g
ECG56, ECG56H	717 mm	346 mm	92 mm	87 mm	673 mm	306 mm	60 W	1820 g
ECG70, ECG70H	842 mm	346 mm	92 mm	87 mm	799 mm	306 mm	70 W	1820 g

For indoor locations (S 50% RH at max. +40°C or for example 90% RH at +20°C)
 Temperature range: -25°C ... +60 °C. Rating Voltage: AC400V; IP40, IK08
 According to: IEC 60670; IEC 62208