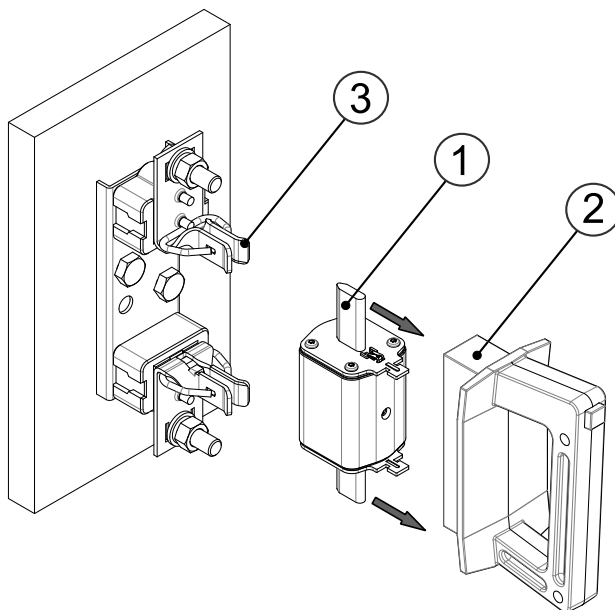




NH fuse-links installation manual

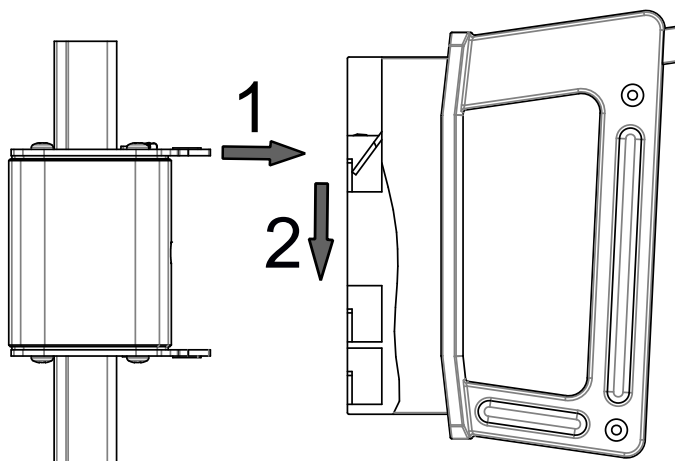
Parts:

- 1 – Fuse-link
- 2 - Replacement handle
- 3 - Fuse base



Step 1: Inserting the fuse-link in the replacement handle

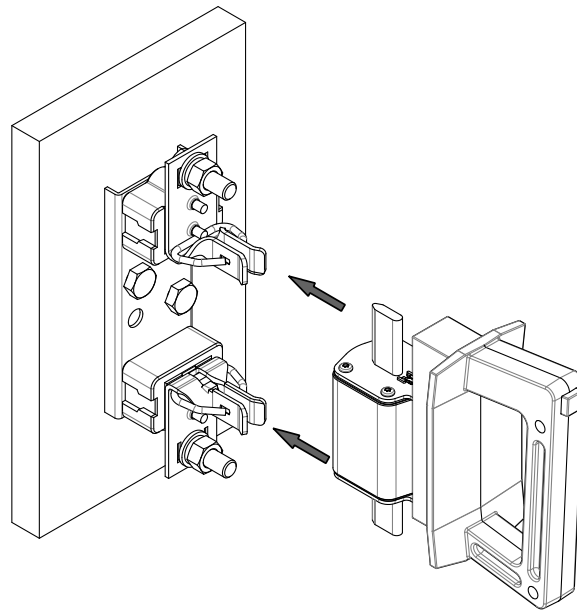
Fuse-links sizes from NH 000 to NH3 can be inserted in the replacement handle. The fuse-link must be correctly inserted into replacement handle. When inserting the fuse-link into the handle, the security key must lock, otherwise the fuse is dropped and damaged. The fuse-link in the handle is now ready for insertion into the fuse base.





Step 2: Inserting the fuse-link in the fuse base

The fuse-link with the replacement handle is inserted into the fuse base to the end. Care must be taken to inserting the fuse-link in parallel with the fuse base.



Step 3: Removing the replacement handle

The replacement handle is removed by pressing lock button. Then push the replacement handle down and from the fuse-link.

