

NH DC 750V gR - Fuse-links



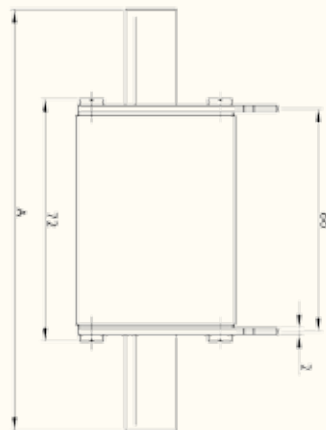
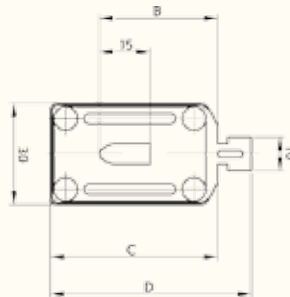
General characteristics

Rated voltage	750V d.c. (L/R = 15ms)
Breaking capacity	20 kA d.c.
Standards	IEC 60269-4
Application	Fuse-link for DC application. Applied in fuse base PK0 and PK1 DC.

DC 750 V gR

In [A]	Code No.		Power dissipation [W]	Pre-arcing Joule integral [I²t] (L/R = 15ms)	Operating Joule integral [I²t] (L/R = 15ms)	Weight [g]	Packaging [pcs]
	Size 0	Size 1C					
32	004110500	004110510	7,6	70	370	280/0 300/1C	3/24
40	004110502	004110512	8,8	135	650		
50	004110503	004110513	11,0	250	1.000		
63	004110504	004110514	13,5	520	1.790		
80	004110505	004110515	17,0	1.050	3.000		
100	004110506	004110516	21,0	2.580	6.140		
125	004110507	004110517	22	6.300	14.090		
160	004110508	004110518	32	13.060	27.220		

Size	A	B	C	D
0	125	35	50	60
1C	135	40	55	65



gR 750V, 1000V dimensions

NH DC 1000V gR - Fuse-links

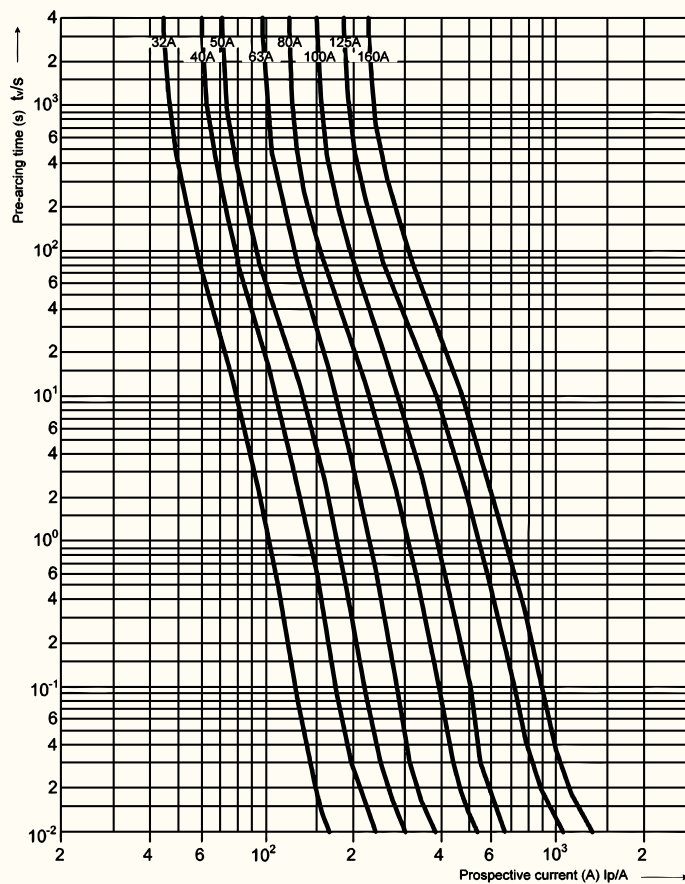
General characteristics

Rated voltage	1000V d.c. (L/R = 2ms)
Breaking capacity	20 kA d.c.
Standards Fuse-links	IEC 60269-4
Application	Fuse-link for DC application. Applied in fuse base PK0 and PK1 DC.



DC 1000 V gR

I _n [A]	Code No.		Power dissipation [W]	Pre-arcing Joule integral [I ² t] (L/R = 2ms)	Operating Joule integral [I ² t] (L/R = 2ms)	Weight [g]	Packaging [pcs]
	Size 0	Size 1C					
32	004110520	004110530	7,6	52	430	280/0 300/1C	3/24
40	004110522	004110532	8,8	96	730		
50	004110523	004110533	11,0	155	920		
63	004110524	004110534	13,5	290	1.760		
80	004110525	004110535	17,0	520	3.160		
100	004110526	004110536	21,0	1.110	5.280		
125	004110527	004110537	22	2.800	11.340		
160	004110528	004110538	32	5.950	20.750		



gR 750V, 1000V t-I characteristics



Ultra Quick

NH DC 1100V gR- Fuse-links



General characteristics

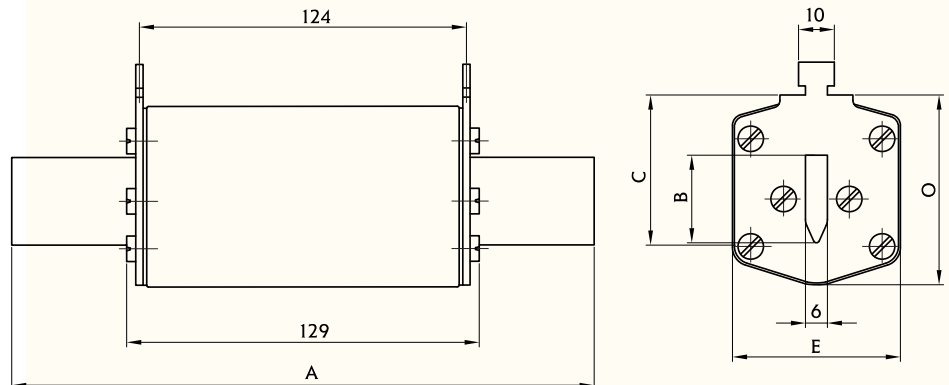
Rated voltage	1100V d.c. (L/R = 5ms)
Breaking capacity	10 kA d.c.
Standards	IEC 60269-4
Application	Fuse-link for DC application. Applied in fuse base PK XL 1500V.

DC 1100V gR

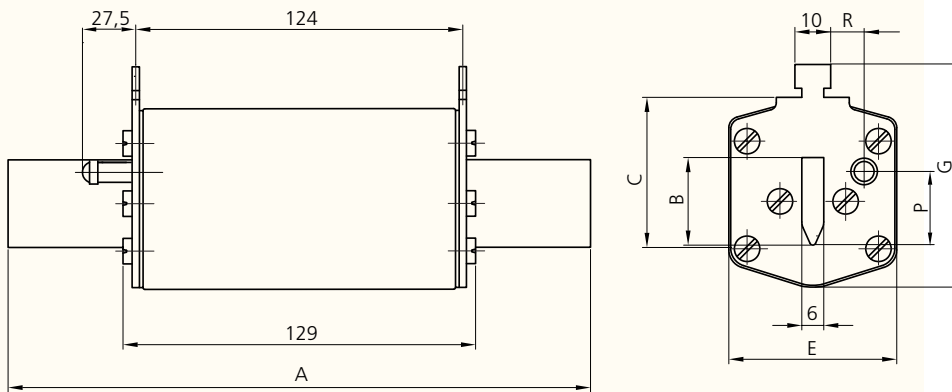
Size	I _n [A]	Code No.		Power dissipation (0,7xI _n) P _d [W]	Power dissipation [W]	Pre-arcing Joule integral [I ² t] (L/R = 5ms)	Operating Joule integral [I ² t] (L/R = 5ms)	Weight [g]	Packaging [pcs]
		Standard indicator (pic.1)	Trip indicator - K (pic.2)						
1XL	63	004110540	004110550	6,2	15,0	2.720	3.520	750	1/17
	80	004110541	004110551	7	17,0	4.000	5.500		
	100	004110542	004110552	8,2	20,0	6.500	9.000		
	125	004110543	004110553	9,6	23,0	11.000	15.000		
	160	004110544	004110554	14,6	35,0	19.400	28.640		
2XL	200	004110585	004110586	13,9	32,6	42.600	83.400	1050	1/15
	200	004110545	004110555	17,8	42,0	40.000	60.000		
3L	250	004110546	004110556	17,9	46,0	85.260	117.400	1360	1/10
	200	/	/	17	41	40.000	59.000		
	224	/	/	17,5	44	60.000	88.000		
	250	/	/	17,7	45	85.000	115.000		
	300	/	/	25	53,5	166.000	220.000		
	315	004110547	004110557	25,2	54,0	166.800	221.900		
	350	004110548	004110558	28,2	60,5	175.000	260.000		
	400	004110549	004110559	28,8	67,0	235.000	345.000		



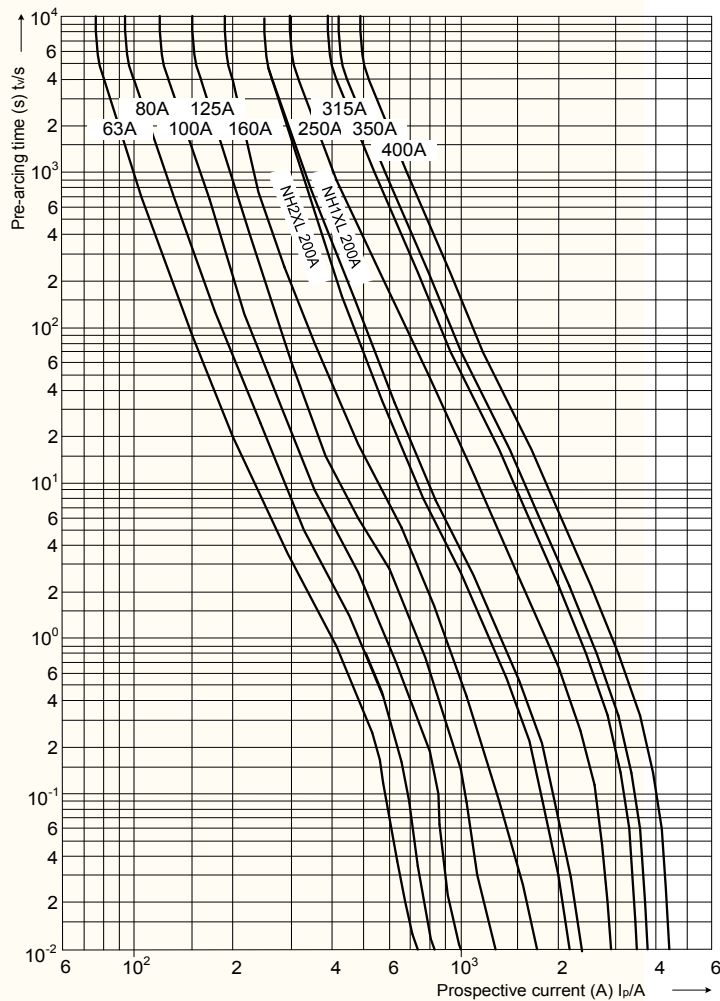
Picture 1



Picture 2



Size	Dimensions [mm]								
	A	B	C	E	G	P	R	M	O
1XL	194	24	40	46	61,5	20,5	13,7	50	52
2XL	209	30	48	54	71	27,3	16,2	59	61
3L	209	37	60	64	82	35,6	17,0	70	74



gR 1100V t-I characteristics