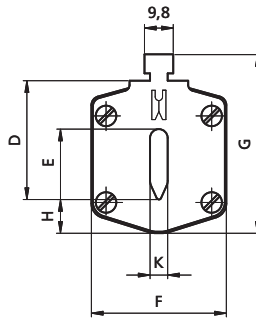
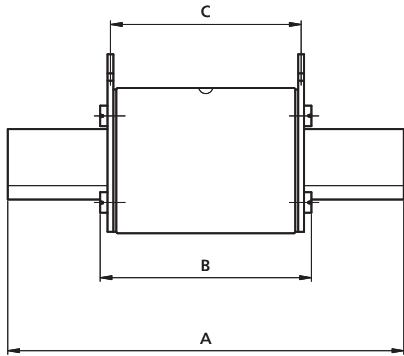


Technical data

Fuse-link NV/NH gF



Technical data:	
Rated voltage U_n	400 V AC
Rated current I_n	20 - 250 A
Dimensions	DIN 43620, IEC 60269, EN 60269
Fusing characteristics	gF -> PN 91/E-06160/10 PN 91/E-06160/21
Breaking capacity I_n	100kA

type	dimensions										
	A	B	C	D	E	F	G	H	I	J	K
NV00C	79	53	47	35	15	21	52	7,5			6
NV00	79	53	47	35	15	28	56	12			6
NV1C	135	68	65	40	15	28	61	12			6
NV1	135	72	65	40	20	46	65	14			6

Power dissipation of fuse-links gF 400 V a.c.

size	the highest rated current at according to PN-IEC 60269-2 (A)	the maximal power dissipation (W)	real power dissipation of fuse-links (W)
NV 00C	100	12	7,2
NV 00	160	16	15,1
NV 1C	160	23	21,9
NV 1	250	32	31,3

