

1-pole fuse base

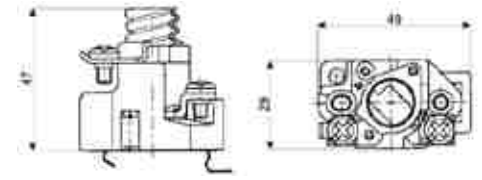
Technical data:

| | |
|----------------------------------|--|
| Rated voltage U_n | 500 V, 690 V |
| Rated current I_n | DII 25 A, DIII 63 A |
| Insulating class | according to IEC 60664-1 |
| Cross-section of connecting lead | DII 1 to 10 mm ² DIII 2,5 to 25 mm ² |
| Standards, publications | IEC 60269, EN 60269, DIN VDE 0636 |

* EZV - for mounting with Screws

* EZN - for mounting on rail

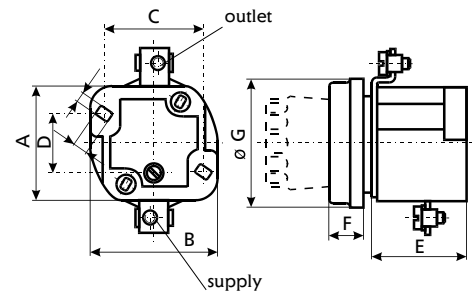
* ZP - base with protection cover



Fuse base DI

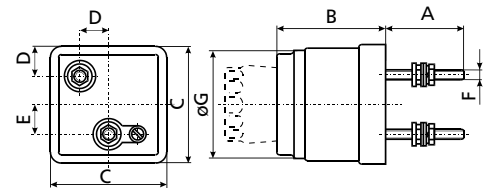
Fuse base EZ

| type | I_n [A] | dimension | | | | | | |
|------|--------------|-----------|----|----|----|----|----|----|
| | | A | B | C | D | E | F | G |
| EZ | 25 | 41 | 47 | 36 | 20 | 35 | 13 | 46 |
| EZ | 63 | 45 | 56 | 45 | 20 | 36 | 14 | 58 |



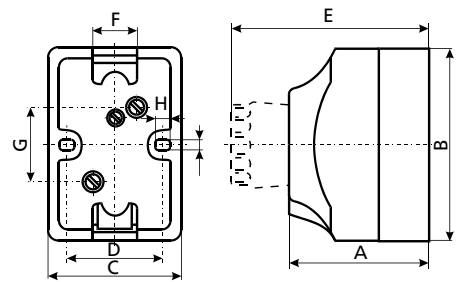
Fuse base TZ

| type | I_n [A] | dimension | | | | | | |
|------|--------------|-----------|----|----|------|----|---|----|
| | | A | B | C | D | E | F | G |
| TZ | 25 | 26 | 50 | 53 | 13,5 | 14 | M | 46 |
| TZ | 63 | 31 | 58 | 64 | 16 | 18 | M | 58 |



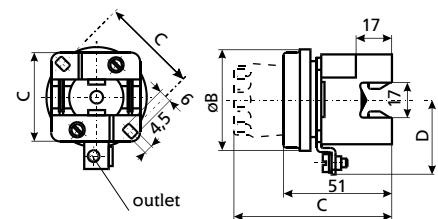
Fuse base UZ, UZN

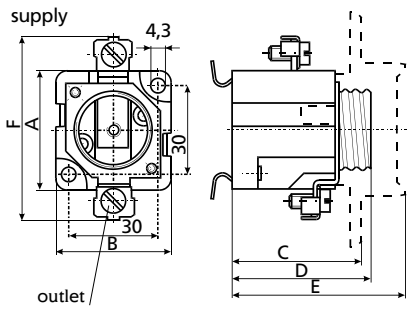
| type | I_n [A] | dimension | | | | | | | |
|------|--------------|-----------|----|----|----|----|----|-----|-----|
| | | A | B | C | D | E | F | H | I |
| UZ | 25 | 56 | 80 | 41 | 33 | 82 | 20 | 4,5 | 4,5 |
| UZN | 25 | 56 | 80 | 41 | 33 | 82 | 20 | 4,5 | 4,5 |
| UZ | 63 | 56 | 90 | 52 | 41 | 82 | 28 | 4,5 | 4,5 |
| UZN | 63 | 56 | 90 | 52 | 41 | 82 | 28 | 4,5 | 4,5 |



Fuse base EZR

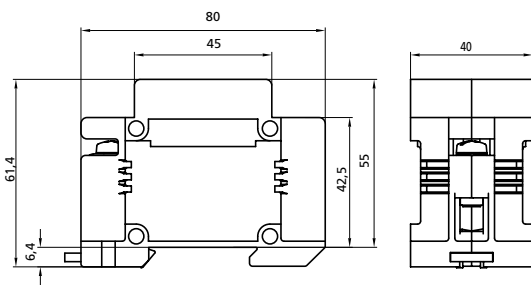
| type | I_n [A] | dimension | | | |
|------|--------------|-----------|----|------|----|
| | | A | B | C | D |
| EZR | 25 | 42 | 46 | 45 | 35 |
| EZR | 63 | 47 | 58 | 48,5 | 38 |





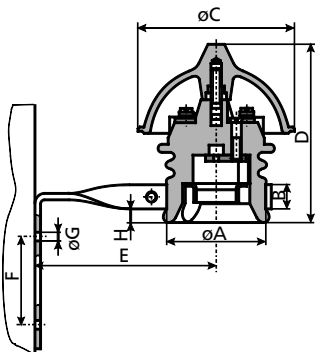
Fuse base EZN, EZV

| type | I _n [A] | dimension | | | | | |
|------------|-----------------------|-----------|----|----|----|----|----|
| | | A | B | C | D | E | F |
| EZN 25° | 25 | 41 | 39 | 44 | 47 | 60 | 62 |
| EZN 63° | 63 | 43 | 47 | 44 | 47 | 56 | 79 |
| EZN 63-M6° | 63 | 43 | 47 | 44 | 47 | 56 | 79 |
| EZV 25 | 25 | 41 | 39 | 44 | 47 | 60 | 62 |
| EZV 63 | 63 | 43 | 47 | 44 | 47 | 56 | 79 |
| EZV 63-M6 | 63 | 43 | 47 | 44 | 47 | 56 | 79 |
| EZN 25-ZP* | 25 | 41 | 39 | 44 | 47 | 60 | 62 |
| EZN 63-ZP* | 63 | 43 | 47 | 44 | 47 | 56 | 79 |
| EZV 25-ZP* | 25 | 41 | 39 | 44 | 47 | 60 | 62 |
| EZV 63-ZP* | 63 | 43 | 47 | 44 | 47 | 56 | 79 |



Fuse base D Comfort

| | |
|-----------------------------------|--|
| Rated voltage U _n | 500 V |
| Rated current I _n | 25 A |
| For fuse-links type DII | acc. to IEC/EN 60269-3 |
| Gauge pieces VDII | acc. to IEC/EN 60269-3 |
| Cross section of connecting leads | 1,5 - 25 mm ² |
| Screws | with ±head |
| Mounting possibilities: | - with screws - mounting on the rail EN 60715 |



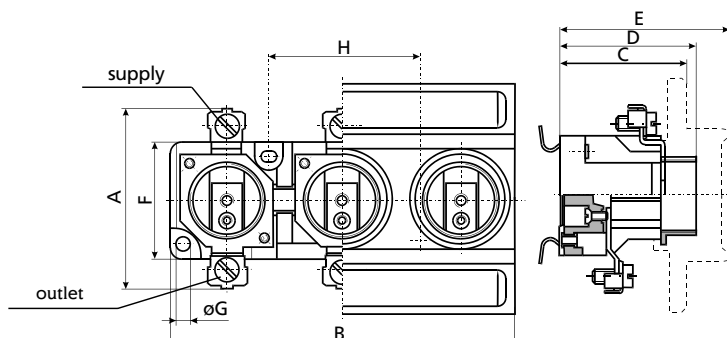
Fuse base for overhead lines

| type | I _n [A] | dimension | | | | | | | |
|------|-----------------------|-----------|----|-----|-----|-----|----|----|----|
| | | ØA | B | ØC | D | E | F | ØG | H |
| FZ | 25 | 61 | 14 | 104 | 118 | 90 | 50 | 7 | 20 |
| FZ | 65 | 70 | 21 | 114 | 120 | 130 | 58 | 7 | 21 |

3-pole fuse base

Fuse base EZN/3, EZV/3 - LINEAR

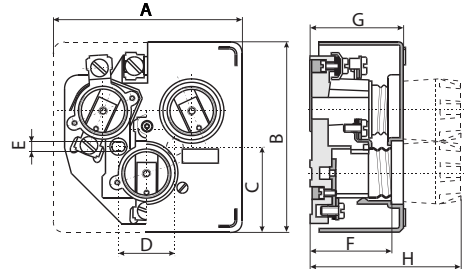
| type | dimension | | | | | | | |
|----------|-----------|-----|----|----|----|----|-----|----|
| | A | B | C | D | E | F | ØG | H |
| EZN 25/3 | 41 | 121 | 44 | 47 | 60 | 30 | 4,3 | 50 |
| EZN 25/3 | 41 | 121 | 44 | 47 | 60 | 30 | 4,3 | 50 |
| EZN 63/3 | 43 | 148 | 44 | 47 | 56 | 32 | 4,3 | 62 |
| EZN 63/3 | 43 | 148 | 44 | 47 | 56 | 32 | 4,3 | 62 |



D

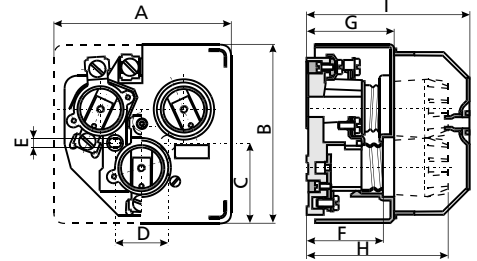
Fuse base EZN/3, EZV/3 - DELTA

| type | dimension | | | | | | | |
|----------|-----------|-----|----|----|-----|----|----|----|
| | A | B | C | D | E | F | G | H |
| EZN 25/3 | 106 | 106 | 48 | / | / | 45 | 52 | 86 |
| EZV 25/3 | 106 | 106 | 48 | 32 | 5,2 | 45 | 52 | 86 |
| EZN 63/3 | 127 | 130 | 54 | / | / | 45 | 52 | 85 |
| EZV 63/3 | 127 | 130 | 54 | 32 | 5,2 | 45 | 52 | 85 |



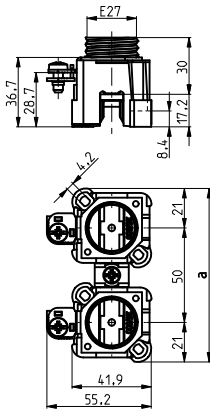
Armoured fuse base

| type | dimension | | | | | | | | |
|---------|-----------|-----|----|----|-----|----|----|----|----|
| | A | B | C | D | E | F | G | H | I |
| T 25/3N | 106 | 106 | 48 | / | / | 45 | 52 | 86 | 97 |
| T 63/3N | 127 | 130 | 54 | / | / | 45 | 52 | 85 | 97 |
| T 25/3V | 106 | 106 | 48 | 32 | 5,2 | 45 | 52 | 86 | 97 |
| T 63/3V | 127 | 130 | 54 | 32 | 5,2 | 45 | 52 | 85 | 97 |



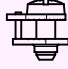
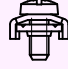
D fuse base - new generation

SET EZR 25 2p - 10p

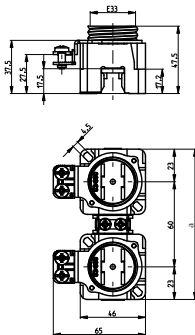


SET EZR 25 2p

Fuse base EZR 25

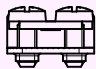
| type | connection | | Cross-section of connecting lead | | Dimension a |
|--------------------------|--|--|----------------------------------|---------------------------|-------------|
| | Supply | Outlet | Outlet [mm ²] | Supply [mm ²] | |
| SET EZR 25 2p-GEG 25.2 |  M5 |  M9 | 35 | 1 - 10 | 92 |
| SET EZR 25 3p-GEG 25.3 | | | 35 | 1 - 10 | 142 |
| SET EZR 25 4p-GEG 25.4 | | | 35 | 1 - 10 | 192 |
| SET EZR 25 5p-GEG 25.5 | | | 35 | 1 - 10 | 242 |
| SET EZR 25 6p-GEG 25.6 | | | 35 | 1 - 10 | 292 |
| SET EZR 25 7p-GEG 25.7 | | | 35 | 1 - 10 | 342 |
| SET EZR 25 8p-GEG 25.8 | | | 35 | 1 - 10 | 392 |
| SET EZR 25 9p-GEG 25.9 | | | 35 | 1 - 10 | 442 |
| SET EZR 25 10p-GEG 25.10 | | | 35 | 1 - 10 | 491 |

SET EZR 63 2p - 6p

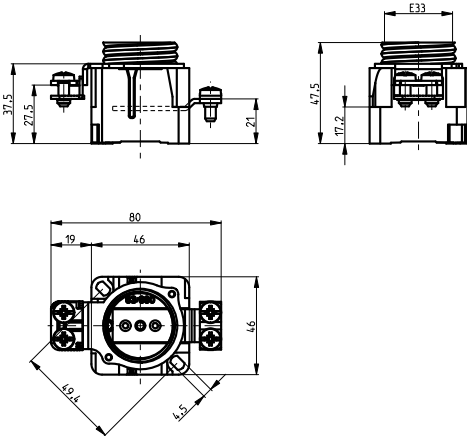


SET EZR 63 2p

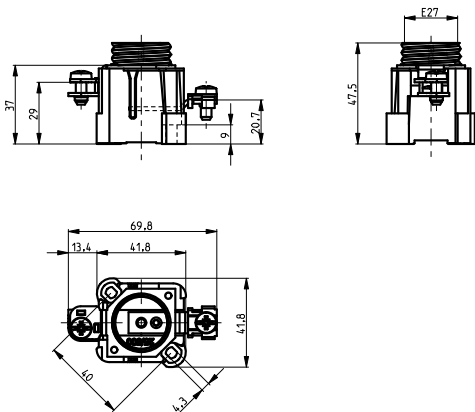
Fuse base EZR 63

| type | Connection Supply and Outlet | Cross-section of connecting lead | | Dimension a |
|------------------------|--|----------------------------------|---------------------------|-------------|
| | | Outlet [mm ²] | Supply [mm ²] | |
| SET EZR 63 2p-GEG 63.2 |  2x M5 | 35 | 2.5 - 25 | 106 |
| SET EZR 63 3p-GEG 63.3 | | 35 | 2.5 - 25 | 166 |
| SET EZR 63 4p-GEG 63.4 | | 35 | 2.5 - 25 | 226 |
| SET EZR 63 5p-GEG 63.5 | | 35 | 2.5 - 25 | 286 |
| SET EZR 63 6p-GEG 63.6 | | 35 | 2.5 - 25 | 346 |

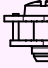
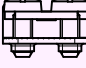
Fuse base EZV 63 GS



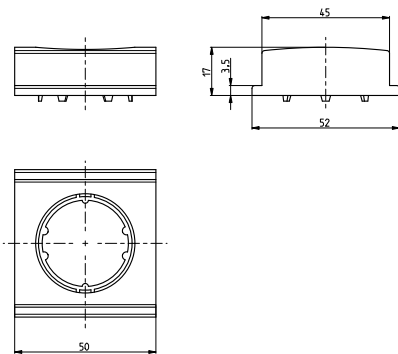
Fuse base EZV 25 GS



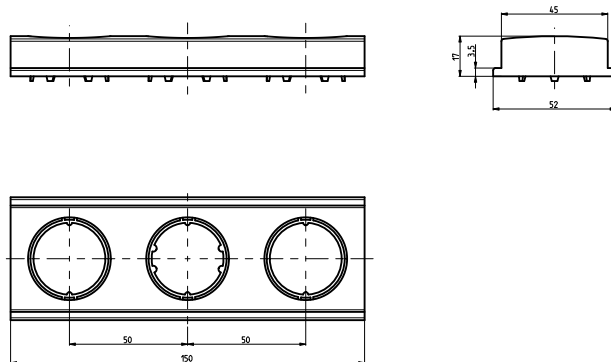
Fuse base EZV

| type | Connection Supply and Outlet | Cross-section of connecting lead | |
|-----------|--|----------------------------------|---------------------------|
| | | Outlet [mm ²] | Supply [mm ²] |
| EZV 25 GS |  M5 | 1 - 10 | 1 - 10 |
| EZV 63 GS |  2x M5 | 2.5 - 25 | 2.5 - 25 |

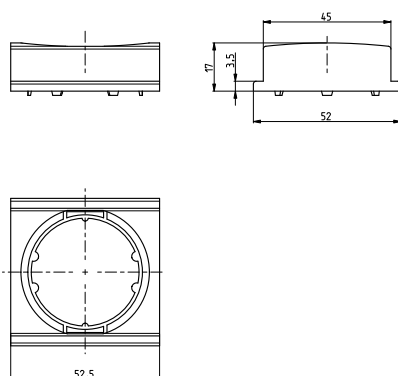
Protective cover GB 25.1



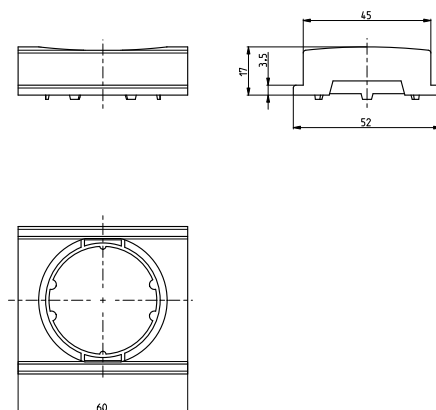
Protective cover GB 25.3



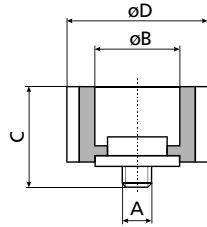
Protective cover GB 63-52



Protective cover GB 63-60

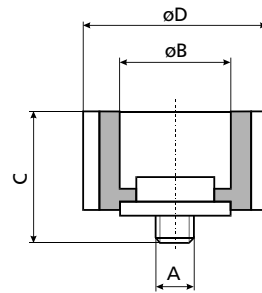


Gauge Piece



VD II for fuse base E 27

| VD II for fuse base E 27 | | | | |
|--------------------------|-----------|------|----|----|
| I _n [A] | dimension | | | |
| | A | B | C | D |
| 2 | 3/16" | 6,5 | 17 | 24 |
| 4 | 3/16" | 6,5 | 17 | 24 |
| 6 | 3/16" | 6,5 | 17 | 24 |
| 10 | 3/16" | 8,5 | 17 | 24 |
| 16 | 3/16" | 10,5 | 17 | 24 |
| 20 | 3/16" | 12,5 | 17 | 24 |
| 25 | 3/16" | 14,5 | 17 | 24 |



VD III for fuse base E33

| VD III for fuse base E 33 | | | | |
|---------------------------|-----------|------|----|----|
| I _n [A] | dimension | | | |
| | A | B | C | D |
| 35 | 3/16" | 16,5 | 17 | 30 |
| 50 | 3/16" | 18,5 | 17 | 30 |
| 63 | 3/16" | 20,5 | 17 | 30 |

Fuse carrier D

| Fuse carrier | | | | |
|--------------|-----------|----|----|----|
| type | dimension | | | |
| | A | B | C | D |
| KDI | 23 | 35 | 10 | 26 |
| KDII | 34 | 44 | 12 | 35 |
| KDIII | 43 | 44 | 12 | 43 |

