

Compact Load Break Switch CLBS

Characteristics according to IEC 60947-3									
Type			CLBS 16	CLBS 25	CLBS 40	CLBS 63	CLBS 80	CLBS 100	CLBS 125
Current	(I _n)		16A	25A	40A	63A	80A	100A	125A
Rated insulation voltage	(U _i)	(V)	800	800	800	800	800	800	800
Rated impulse withstand voltage	(U _{imp})	(kV)	8	8	8	8	8	8	8
Thermal current 40°C	(I _{th})	(A)	16	25	40	63	80	100	125
Rated operational currents (I _e)	AC-20 A/B	415V AC (A)	16	25	40	63	80	100	125
	AC-21 A/B	415V AC (A)							
	AC-22 A/B	415V AC (A)							
	AC-23 A/B	415V AC (A)							
	AC-20 A/B	500V AC (A)							
	AC-21 A/B	500V AC (A)							
	AC-22 A/B	500V AC (A)							
	AC-23 A/B	500V AC (A)							
	AC-20 A/B	690V AC (A)							
	AC-21 A/B	690V AC (A)							
	AC-22 A/B	690V AC (A)							
	AC-23 A/B	690V AC (A)							
	DC-20 A/B	110V DC (A)							
	DC-21 A/B ⁽¹⁾	110V DC (A)							
DC-20 A/B	250V DC (A)	40	63	80	100	125			
DC-21 A/B ⁽²⁾	250V DC (A)								
DC-20 A/B	400V DC (A)								
DC-21 A/B ⁽³⁾	400V DC (A)								
Operational power in AC 23 ⁽⁴⁾	400V AC (kW)		7,5	11	18,5	30	37	45	55
	500V AC (kW)		7,5	11	18,5	30	37	45	55
	690V AC (kW)		7,5	15	15	30	37	45	55
Short-circuit capacity I _{cw}	1 s.	(kA)	1,26	1,26	1,26	1,5	1,5	2,75	2,75
	0,25 s.	(kA)	1,8	1,8	1,8	2,1	2,1	3,9	3,9
Fuse protected short-circuit withstand (kA rms prospective) ⁽⁵⁾									
Associated fuse rating		(A)	16	25	40	63	80	100	125
Prospective short-circuit current		(kA)	50	50	50	50	50	25	25
Circuit breaker protected short-circuit withstand with any circuit breaker that ensures tripping in less than 0.3s									
Rated short-time withstand current	0,3 s.	(kA)	2,5	2,5	2,5	3	3	5	5
Connection									
Minimum Cu cable cross-section	mm ²		1,5	1,5	1,5	2,5	2,5	10	10
Maximum Cu cable cross-section	mm ²		16	16	16	35	35	70	70
Tightening torque min/max	Nm		2/2,2	2/2,2	2/2,2	3,5/3,85	3,5/3,85	4/4,4	4/4,4
Durability (number of operating cycles)	cycles		100 000	100 000	100 000	100 000	100 000	100 000	100 000
Operating effort - 3 pole device	Nm		1	1	1	1,4	1,4	1,6	1,6
Operating effort - 4 pole device	Nm		1,2	1,2	1,2	1,6	1,6	2	2
Power dissipation	W/pole		0,15	0,4	0,9	1,5	2,4	4,3	7,1

Category with index A = frequent operation

Category with index B = infrequent operation.

⁽¹⁾ - one pole per polarity.

⁽²⁾ - 3-pole device with 2 poles in series for the "+" and 1 pole for the "-".

⁽³⁾ - 4-pole device with 2 poles in series per polarity.

⁽⁴⁾ - The power value is given for information only, the current values vary from one manufacturer to another.

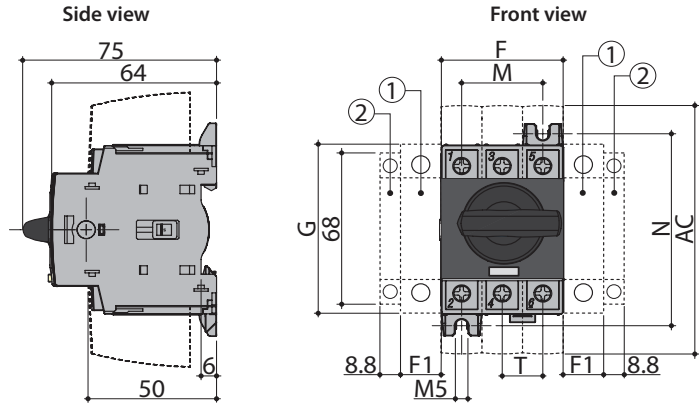
⁽⁵⁾ - For a rated operational voltage U_e = 415 VAC.

Technical data

Dimensions

CLBS 16 - CLBS 80 3P- direct operation with handle

- 1. Location for: 1 switched fourth pole module (1 per device max.)
- or 1 unswitched neutral pole
- or 1 protective earth module
- or 1 auxiliary contact.
- 2. Position for 1 auxiliary contact only.
- Note: max 2 additional blocks.
- More information about acceptable combinations of auxiliary switches and additional poles on the following page.

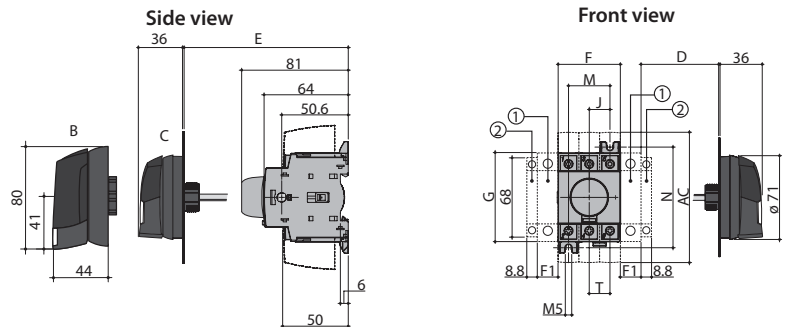


CLBS 16-CLBS 80

External front operation

External side operation

- 1. Location for: 1 switched fourth pole module (1 per device max.)
- or 1 unswitched neutral pole
- or 1 protective earth module
- or 1 auxiliary contact.
- 2. Position for 1 auxiliary contact only.
- Note: max 2 additional blocks.
- More information about acceptable combinations of auxiliary switches and additional poles on the following page.

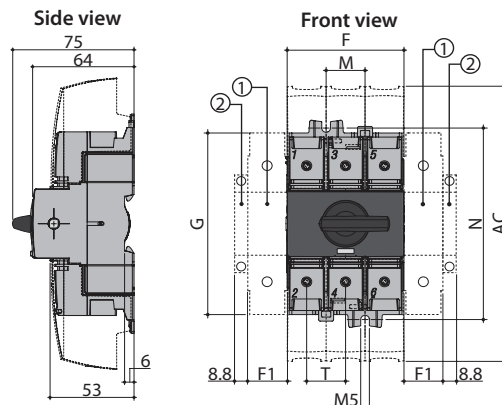


- B. CLBS-EH125/01
- C. CLBS-EH80

Rating (A)	Overall dimensions, (mm)				Terminal shrouds, (mm) AC	Switch body, (mm)				Switch mounting, (mm)		Connection, (mm) T
	D min	D max	E min	E max		F	F1	G	J	M	N	
16-40	30	235	100	372	110	45	15	68	15	30	75	15
63-80	30	235	100	372	110	52.5	17.5	76	17.5	35	85	17.5

CLBS 100-CLBS 125 3P - direct operation with handle

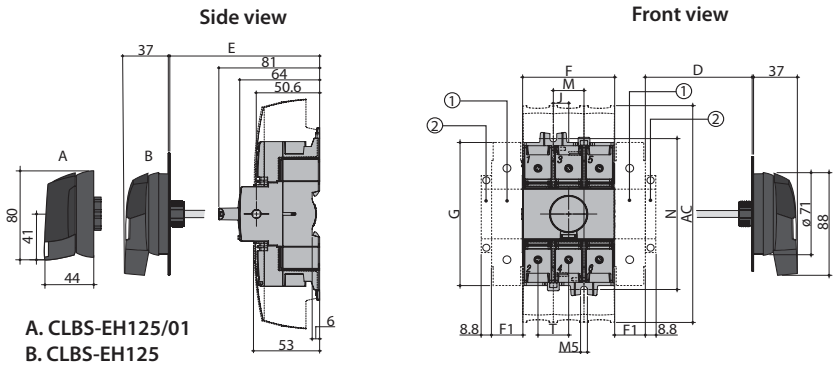
- 1. Location for: 1 switched fourth pole module (1 per device max.)
- or 1 unswitched neutral pole
- or 1 protective earth module
- or 1 auxiliary contact.
- 2. Position for 1 auxiliary contact only.
- Note: max 2 additional blocks.
- More information about acceptable combinations of auxiliary switches and additional poles on the following page.



CLBS 100-CLBS 125

External front operation

External side operation

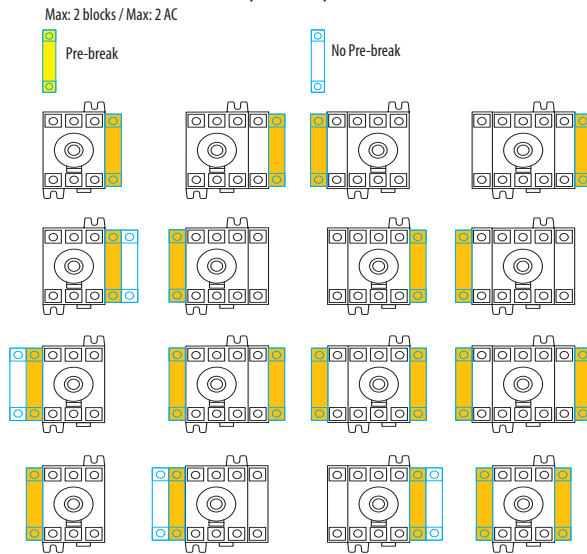


A. CLBS-EH125/01
B. CLBS-EH125

1. Location for: 1 switched fourth pole module (1 per device max.)
or 1 unswitched neutral pole
or 1 protective earth module
or 1 auxiliary contact.
2. Position for 1 auxiliary contact only.
Note: max 2 additional blocks.
More information about acceptable combinations of auxiliary switches and additional poles below.

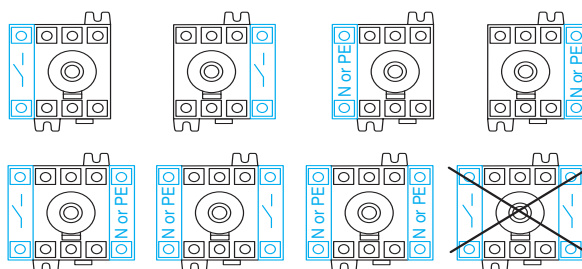
Rating (A)	Overall dimensions, (mm)				Terminal shrouds, (mm) AC	Switch body, (mm)				Switch mounting, (mm)		Connection, (mm) T
	D min	D max	E min	E max		F	F1	G	J	M	N	
100-125	30	201	100	372	189	78	26	124.6	13	26	131.4	26

Auxiliary contact configurations CLBS-PS11 (NO+NC)



Contact type	Nominal current (A)		Operating current I _e (A), 230V AC	
	AC-13	AC-15	AC-13	AC-15
NO+NC	10	10	10	6

Configuration additional pole, solid neutral pole and protective earth pole

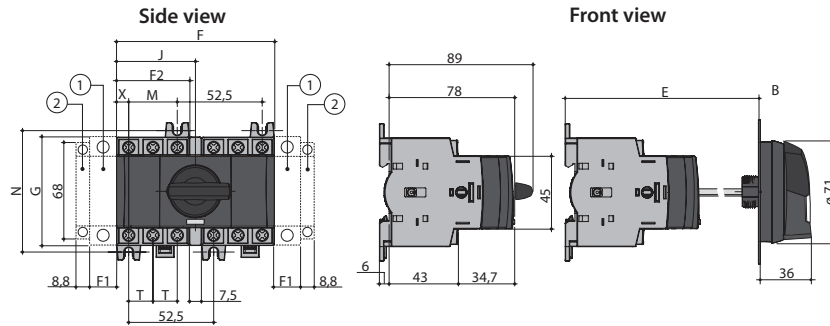


Direct operation

External front operation

CLBS 16 - CLBS 80 - with change over kit

CLBS 16 - CLBS 80 - with change over kit



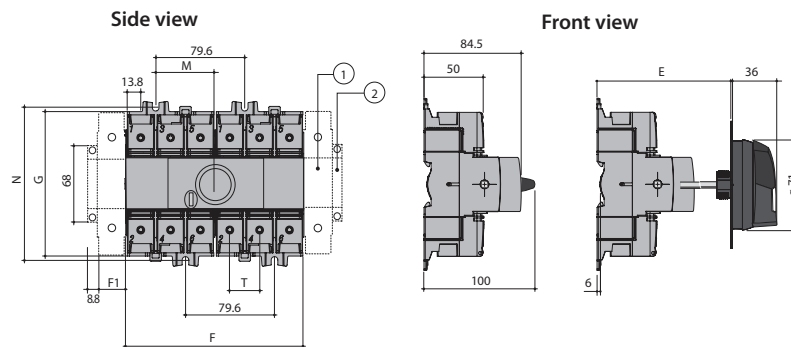
Rating (A)	Overall dimensions, (mm)		Switch body, (mm)					Switch mounting, (mm)		Connection, (mm)	
	E min	E max	F	F1	F2	G	J	M	N	T	X
16-40	105	372	97.5	15	45	68	48.75	30	75	15	7.5
63-80	105	372	105	17.5	52.5	76	52.5	35	85	17.5	8.75

Direct front operation

External front operation

CLBS 100 - CLBS 125 -with change over kit

CLBS 100 - CLBS 125 -with change over kit



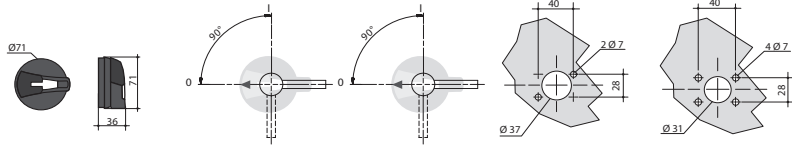
Rating (A)	Overall dimensions, (mm)		Switch body, (mm)			Switch mounting, (mm)		Connection, (mm)
	E min	E max	F	F1	G	M	N	T
100-125	105	372	159	26	124.5	52.8	131.5	26

CLBS-EH80
(16-80A)

Direct front
operation

Right side
operation

Door drilling

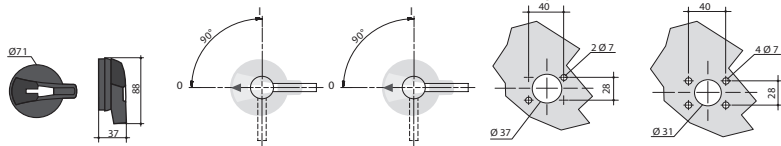


CLBS-EH125
(100-125A)

Direct front
operation

Right side operation

Door drilling

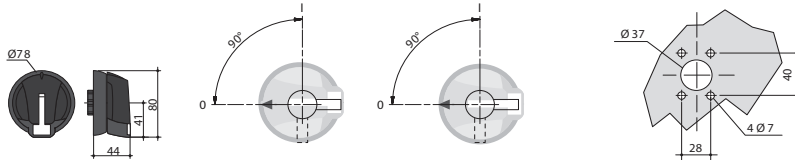


CLBS-EH125/01
(16-125A)

Direct front
operation

Right side operation

Door drilling

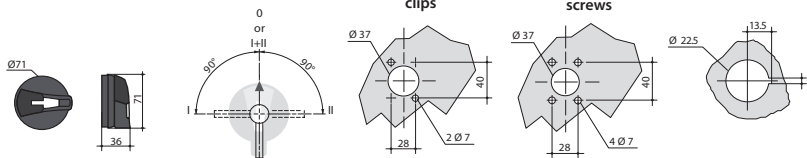


CLBS-EH80/G CO
CLBS-EH125/G CO

Direct front
operation

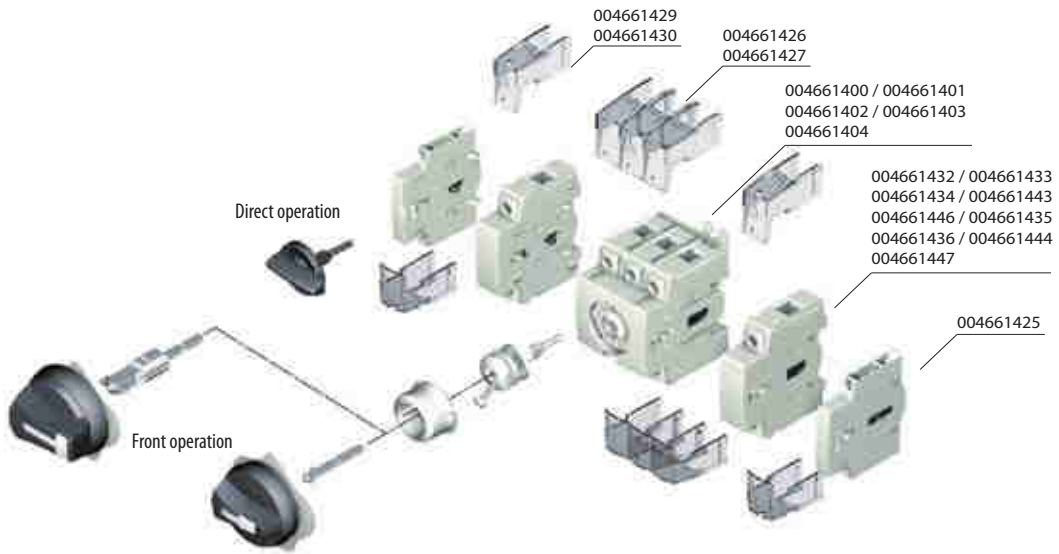
IP55 with 2 fixing
clips

Door drilling



Technical data

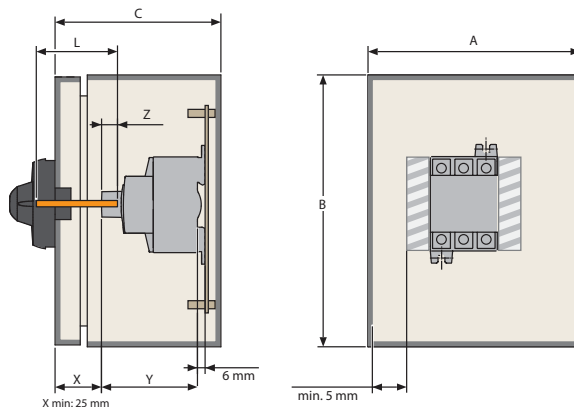
Installation of accessories



Examples:



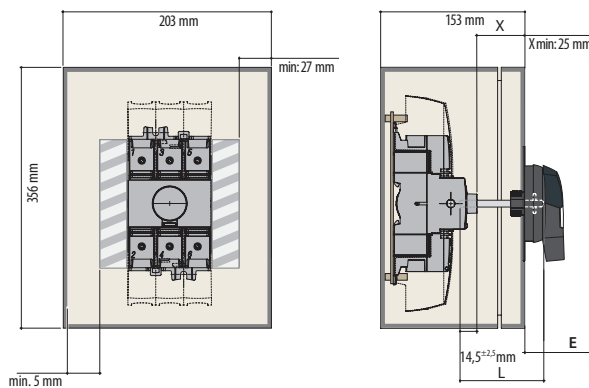
CLBS 16...80



	16A - 40A mm	60A - 80A mm
A	152	203
B	203	254
C	102	102
Y	75	75

	16-125A	E	
		min.	max.
CLB-EH80, CLBS-EH125	L=X+32 mm	13 mm	15mm
CLBS-EH125/01	L=X+38,5 mm	17,5 mm	21,5 mm

CLBS 100...125



Z (depth of enclosure, mm)	X(mm)	Default shaft length used with handle(mm)	
		CLB-EH80, CLBS-EH125	CLBS-EH125/01
150mm	49	200	400
200mm	99	200	400
250mm	149	200	400
300mm	199	320	400