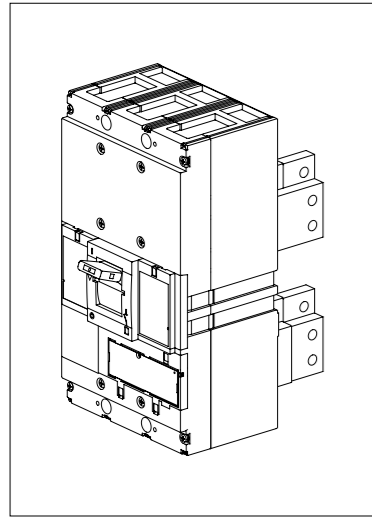


ETIBREAK 2



Instruction Manual for Moulded Case Circuit Breakers

Type:
 EB2 1250LE 3P/4P
 EB2 1250E 3P/4P
 EB2 1600LE 3P/4P
 EB2 1600E 3P/4P

Please retain this manual for future reference. The Manufacturer assumes no responsibility for damages resulting from non-application or incorrect application of the instructions provided herein.

ETI Elektroelement d.d.
 Obrezja 5, 1411 Izlake
 Slovenia
 Tel: +386 (0) 356 57570
 Fax: +386 (0) 356 74077
 www.etigroup.eu

AS10141

1 Safety Notices

Be sure to read these instructions and other documents accompanying this product. Please familiarise yourself with handling of this product, safety information, and all other precautions before mounting, using, servicing or inspection. In these instructions, safety notices are divided into "Warning" and "Caution" according to the hazard level.

WARNING A warning notice with this symbol indicates that neglecting the suggested procedure or practice could result in lethal or serious personal injury.

CAUTION A caution notice with this symbol indicates that neglecting the suggested procedure or practice could result in moderate or slight personal injury and/or property damage.

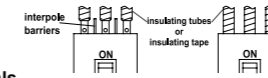
Note that failing to observe **CAUTION** notices could result in serious results in some cases. Because safety notices contain important information, be sure to read and observe them.

Mounting Precautions

For detailed mounting dimensions, refer to TemBreak2 catalogue

CAUTION

- Electrical work should only be undertaken by suitably qualified persons.
- Do not place the product in an area that is subject to high temperature, high humidity, excessive dust air, corrosive gas, strong vibration and shock, or other unusual conditions. Mounting in such areas could cause a fire or malfunction.
- Be careful to prevent foreign objects (debris, concrete, iron powder etc) and rainwater from entering product. These materials inside the product could cause a fire or malfunction.
- Prior to commencing any work on the product, open an upstream circuit breaker or isolator to ensure that no voltage is applied to the product otherwise electrical shock may result.
- For 4 pole breakers, be sure to connect a neutral conductor to the N-phase pole, otherwise an overcurrent may hinder the product from tripping thus resulting in a fire.
- When connecting cable or busbar to the product, tighten terminal screws to the torque specified in this manual, otherwise, a fire could result.
- After conductor connection, do not apply excessive force to the terminals. Otherwise, a fire may result.
- For front-connected breakers, insulate all bare conductors of the line side until the breaker end. If interpole barriers are packed, be sure to use the barriers; moreover, insulate all bare conductors by insulating tape or the like so that the tape overlaps with the barriers. Insufficient insulation may result in short-circuit.
- Do not block the arc gas vents of the product to ensure adequate arc space. Blocking these vents could result in failure of circuit interruption.



Handling Precautions

WARNING

- Never touch terminals. Otherwise, electric shock may result

CAUTION

- When the breaker trips open automatically, remove the cause, then return the handle to the ON position. Should a fault be interrupted, the breaker must be inspected, otherwise, a fire may result.

Maintenance Precautions

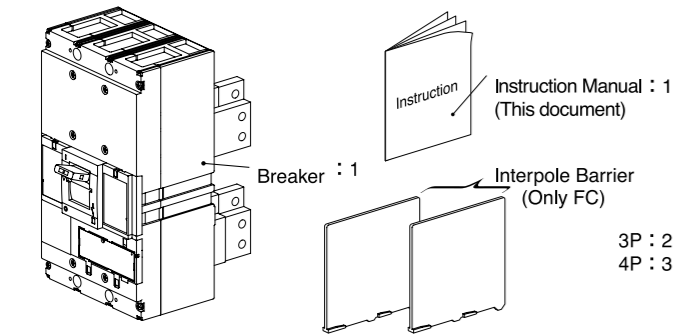
CAUTION

- Service and/or inspection of the product must be done by persons having expert knowledge.
- Before servicing or inspecting the product, open an upstream circuit breaker or the like to isolate all sources of power. Otherwise, electric shock may result.
- Regularly check that the breaker terminal screws are tightened to torque values shown within this manual, failure to do so may result in fire.

Other Precautions

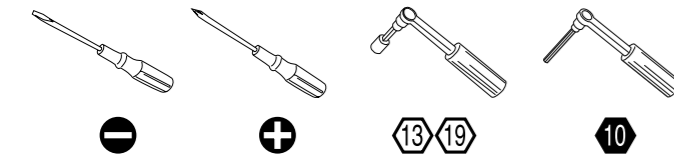
- Do not carry this product by accessory leads, as this may cause damage to the product.
- Unauthorised opening of the breaker cover will invalidate product warranty.
- When installing the product, use wires or conductors, the cross sectional areas of which accommodate the rated current of the product. Using wires or conductors with inadequate cross sectional areas may cause false tripping and overheat.

2 Packaged Items/Assembly Tools

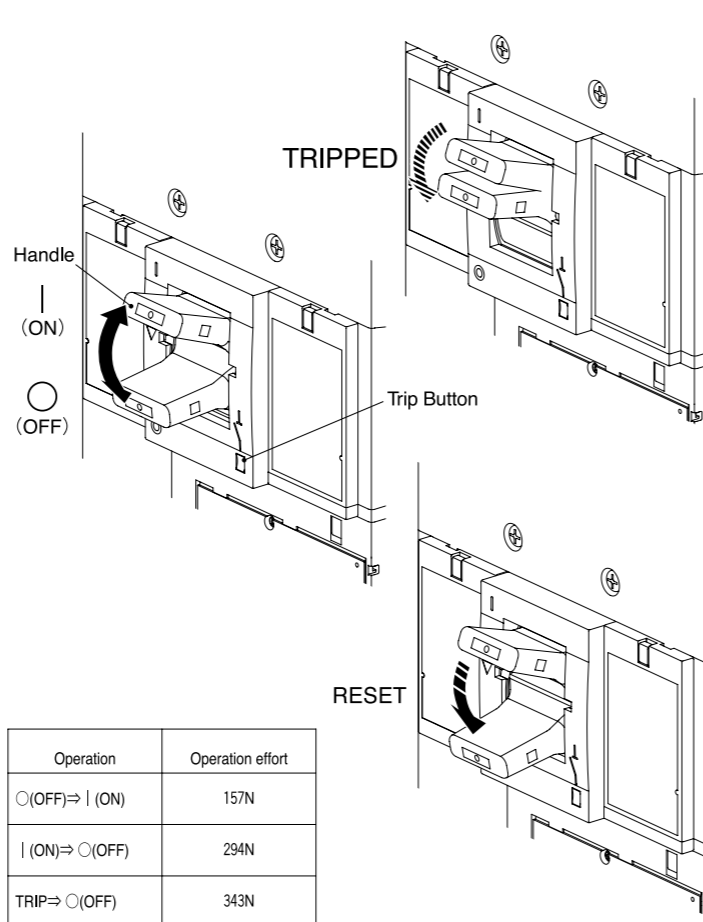


Connections/Poles	S1250-□□		Type		S1600-□□	
	3P	4P				
Front Connected (FC)	12	M12×55		12	M12×60	
	16			16		
	4	M8×50		4	M8×50	
	4			4		
Rear Connected (RC)	12	M12×47		12	M10×45	
	16			16		
	4	M8×50		4	M8×50	
	4			4		
Plug-in Connected (PM)	4	—		4	—	
	4			4		
Flush Plate Where Applicable (F.P.)	12	M12×47		12	M10×45	
	16			16		
	4	M8×25		4	M8×25	
	4			4		

• Connecting bolts are not attached to S1600-NE. The above values is value when connecting bolts were ordered.



3 Operating Instructions



Operation	Operation effort
○(OFF) ⇒ (ON)	157N
(ON) ⇒ ○(OFF)	294N
TRIP ⇒ ○(OFF)	343N

4 Fitting Internal Accessories

Auxiliary Switch	
M Type	Type
PS2	PS2-NO/NC

Alarm Switch	
M Type	B Type
SS2	SS2-NO/NC

Shunt Trip	Undervoltage Trip
DA2	NA2

Ring Mark			
Auxiliary Switch		Alarm Switch	
a contact	b contact	a contact	b contact
11/AXc-14/AXa	11/AXc-12/AXb	91/ALc	91/ALc
21/AXc-24/AXa	21/AXc-22/AXb	94/ALa	92/ALb
31/AXc-34/AXa	31/AXc-32/AXb		
Shunt Trip power source C1-C2		Undervoltage Trip power source D1-D2	

* Symbols of Accessories

Combination: ON (I), OFF (O)

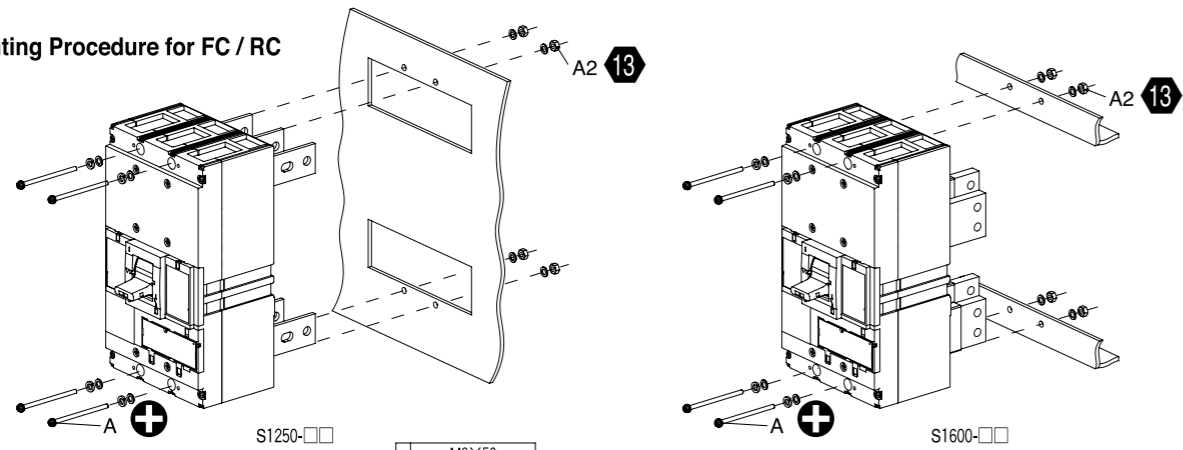
Pull Out Leads on Load Side: 6, 7, 8

Removal: 1, 2

In case of fitting only one auxiliary switch, fit in left side slot.

• After fitting, verify the function of the Accessory.

5 Breaker Mounting Procedure for FC / RC

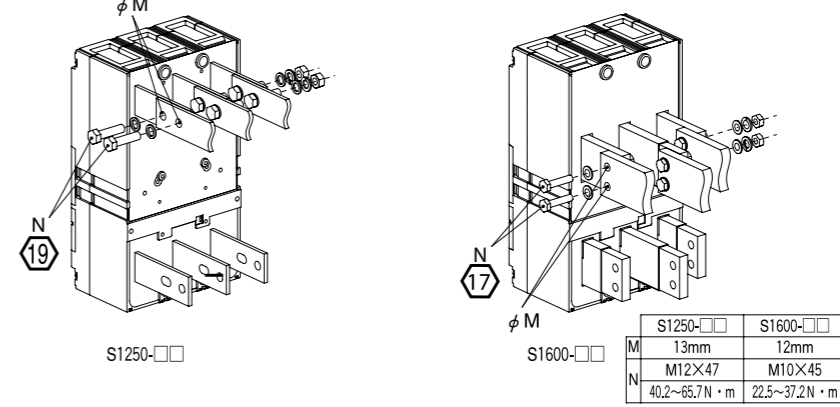


AS10141

A	M8×50 11.8~14.7N·m
---	-----------------------

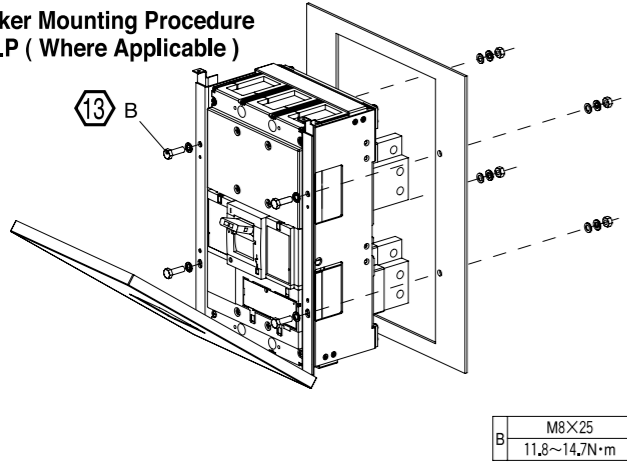
• Insert the screw A into the spring washer and small flat washer, and tighten it.

8 Conductor Connection Procedure for RC / F.P (Where Applicable)



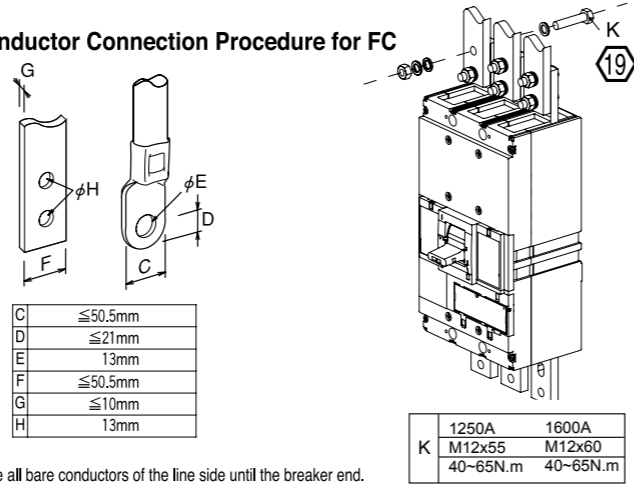
	S1250-□□	S1600-□□
M	13mm	12mm
N	M12×47	M10×45
	40.2~65.7N·m	22.5~37.2N·m

6 Breaker Mounting Procedure for F.P (Where Applicable)



B	M8×25 11.8~14.7N·m
---	-----------------------

7 Conductor Connection Procedure for FC

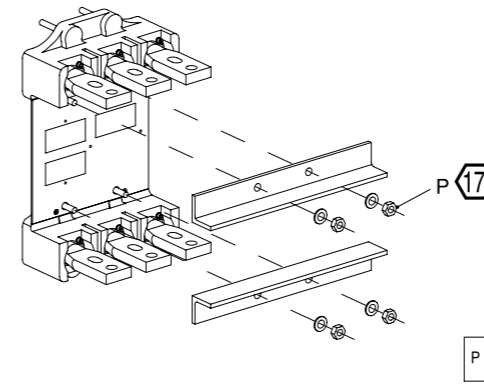


C	≤50.5mm
D	≤21mm
E	13mm
F	≤50.5mm
G	≤10mm
H	13mm

	1250A	1600A
K	M12×55	M12×60
	40~65N·m	40~65N·m

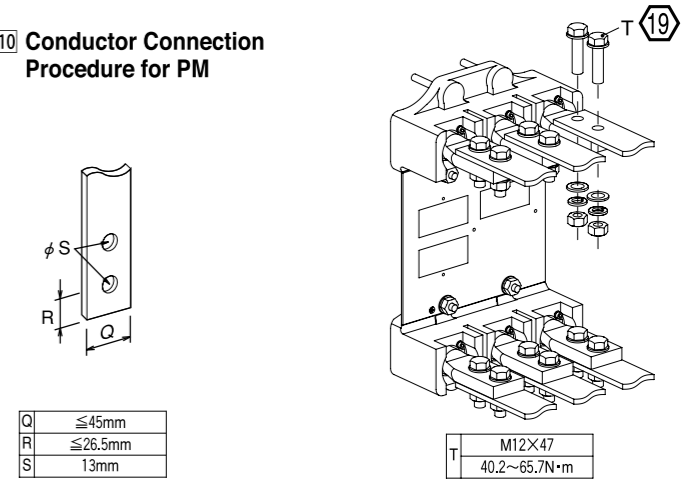
• Insulate all bare conductors of the line side until the breaker end.

9 Plug-in Mounting Block Mounting Procedure for PM



P	M10 11.8~14.7N·m
---	---------------------

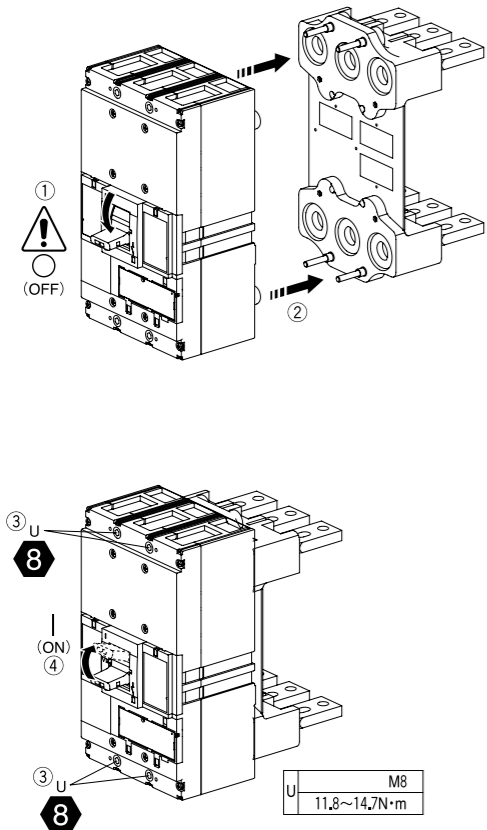
10 Conductor Connection Procedure for PM



Q	≤45mm
R	≤26.5mm
S	13mm

T	M12×47 40.2~65.7N·m
---	------------------------

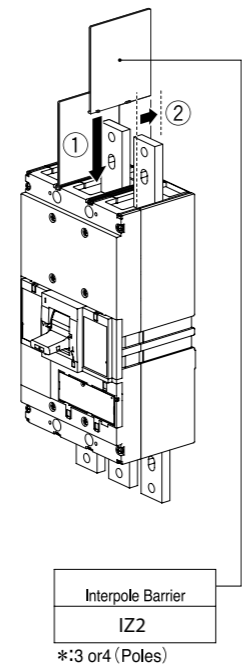
11 Breaker Mounting Procedure for PM



U	M8 11.8~14.7N·m
---	--------------------

• When removing, remove the items in reverse order of mounting.

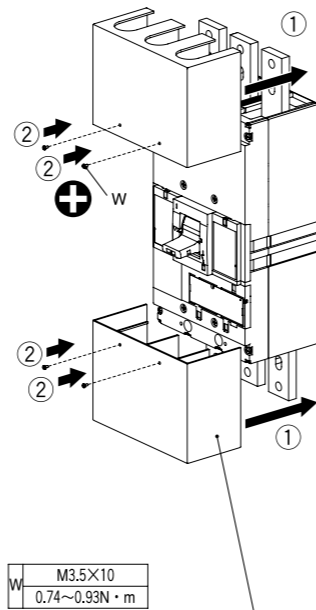
12 Interpole Barrier Mounting Procedure



Interpole Barrier	IZ2
	*:3 or4 (Poles)

• When removing, remove the items in reverse order of mounting.

13 Terminal Cover Mounting Procedure

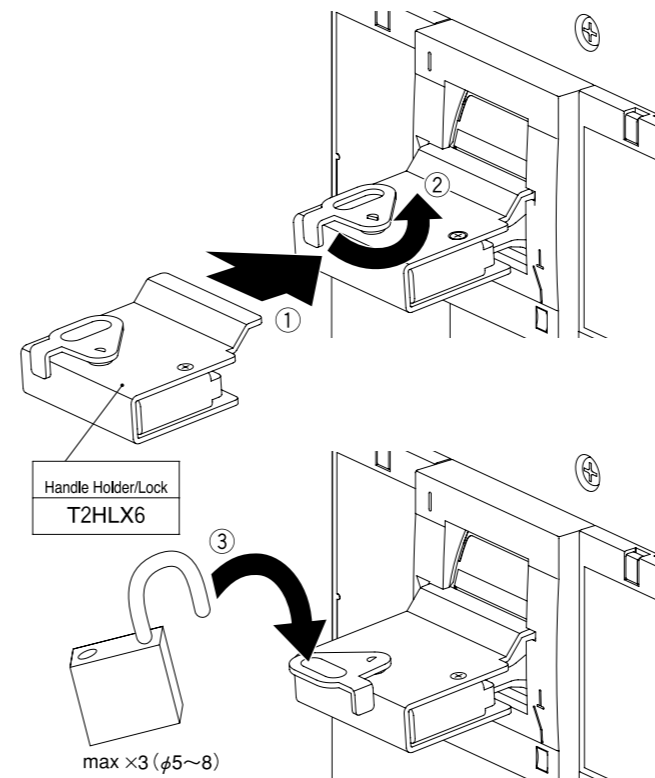


W	M3.5×10 0.74~0.93N·m
---	-------------------------

Connection	Terminal Cover
FC (with Flat Bar)	PRS2
	*:3 or4 (Poles)

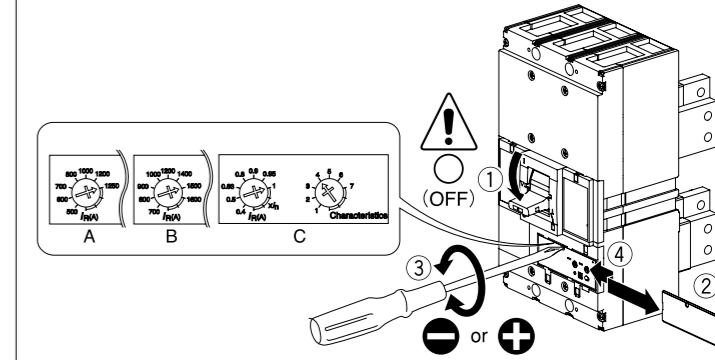
• When removing, remove the items in reverse order of mounting.

14 Handle Holder / Lock Mounting Procedure



• Handle holder/ lock can be fitted in any position of | (ON) and ○(OFF).
• When you use this item as the handle lock, please fit padlocks in the procedure of ③.
• When removing, remove the items in reverse order of mounting.

15 Over-current Releases setting Procedure.



16 Time / Current Characteristic Curves

Under bar is default setting.
Electronic Type

