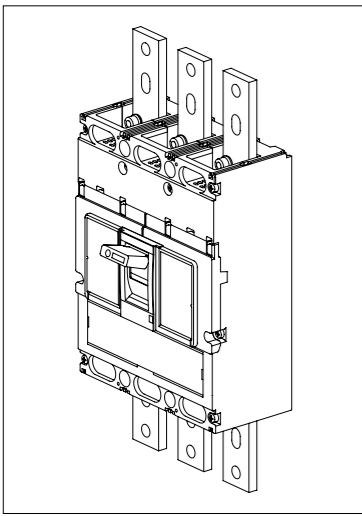


ETIBREAK 2



Instruction Manual for Moulded Case Circuit Breakers

Type:
EB2 1000LE 3P/4P
EB2 1000E 3P/4P

Please retain this manual for future reference. The Manufacturer assumes no responsibility for damages resulting from non-application or incorrect application of the instructions provided herein.

ETI Elektroelement d.d.
Obrezja 5, 1411 Izlake
Slovenia
Tel: +386 (0) 356 57570
Fax: +386 (0) 356 74077
www.etigroup.eu

AS10140

1 Safety Notices

Be sure to read these instructions and other documents accompanying this product. Please familiarise yourself with handling of this product, safety information, and all other precautions before mounting, using, servicing or inspection. In these instructions, safety notices are divided into "Warning" and "Caution" according to the hazard level.

WARNING A warning notice with this symbol indicates that neglecting the suggested procedure or practice could result in lethal or serious personal injury.

CAUTION A caution notice with this symbol indicates that neglecting the suggested procedure or practice could result in moderate or slight personal injury and/or property damage.

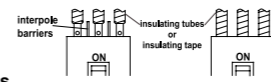
Note that failing to observe **CAUTION** notices could result in serious results in some cases. Because safety notices contain important information, be sure to read and observe them.

Mounting Precautions

For detailed mounting dimensions, refer to TemBreak2 catalogue

CAUTION

- Electrical work should only be undertaken by suitably qualified persons.
- Do not place the product in an area that is subject to high temperature, high humidity, excessive dust air, corrosive gas, strong vibration and shock, or other unusual conditions. Mounting in such areas could cause a fire or malfunction.
- Be careful to prevent foreign objects (debris, concrete, iron powder etc) and rainwater from entering product. These materials inside the product could cause a fire or malfunction.
- Prior to commencing any work on the product, open an upstream circuit breaker or isolator to ensure that no voltage is applied to the product otherwise electrical shock may result.
- For 4 pole breakers, be sure to connect a neutral conductor to the N-phase pole, otherwise an overcurrent may hinder the product from tripping thus resulting in a fire.
- When connecting cable or busbar to the product, tighten terminal screws to the torque specified in this manual, otherwise, a fire could result.
- After conductor connection, do not apply excessive force to the terminals. Otherwise, a fire may result.
- For front-connected breakers, insulate all bare conductors of the line side until the breaker end. If interpole barriers are packed, be sure to use the barriers; moreover, insulate all bare conductors by insulating tape or the like so that the tape overlaps with the barriers. Insufficient insulation may result in short-circuit.
- Do not block the arc gas vents of the product to ensure adequate arc space. Blocking these vents could result in failure of circuit interruption.



Handling Precautions

WARNING

- Never touch terminals. Otherwise, electric shock may result

CAUTION

- When the breaker trips open automatically, remove the cause, then return the handle to the ON position. Should a fault be interrupted, the breaker must be inspected, otherwise, a fire may result.

Maintenance Precautions

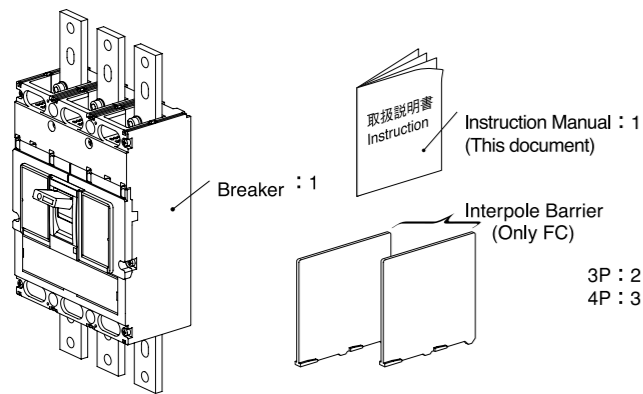
CAUTION

- Service and/or inspection of the product must be done by persons having expert knowledge.
- Before servicing or inspecting the product, open an upstream circuit breaker or the like to isolate all sources of power. Otherwise, electric shock may result.
- Regularly check that the breaker terminal screws are tightened to torque values shown within this manual, failure to do so may result in fire.

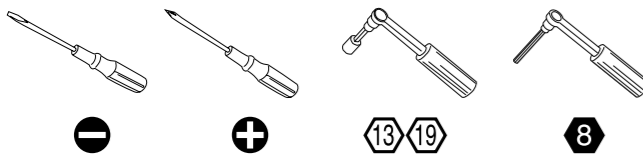
Other Precautions

- Do not carry this product by accessory leads, as this may cause damage to the product.
- Unauthorised opening of the breaker cover will invalidate product warranty.
- When installing the product, use wires or conductors, the cross sectional areas of which accommodate the rated current of the product. Using wires or conductors with inadequate cross sectional areas may cause false tripping and overheat.

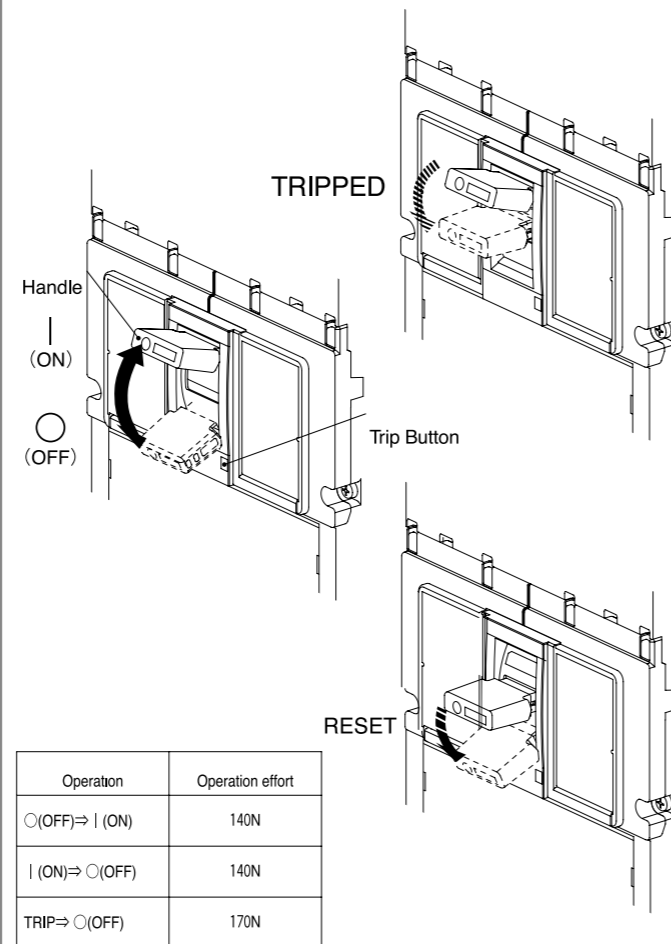
2 Packaged Items/Assembly Tools



Connections/Poles		形式 Type 1000AF	
Front Connected	3P	12	M12×55
	4P	16	M12×55
	3P	4	M8×45
	4P	4	M8×45
Rear Connected	3P	12	M12×47
	4P	16	M12×47
	3P	4	M8×45
	4P	4	M8×45
Flush Plate Where Applicable	3P	12	M12×47
	4P	16	M12×47
	3P	4	M8×25
	4P	4	M8×25

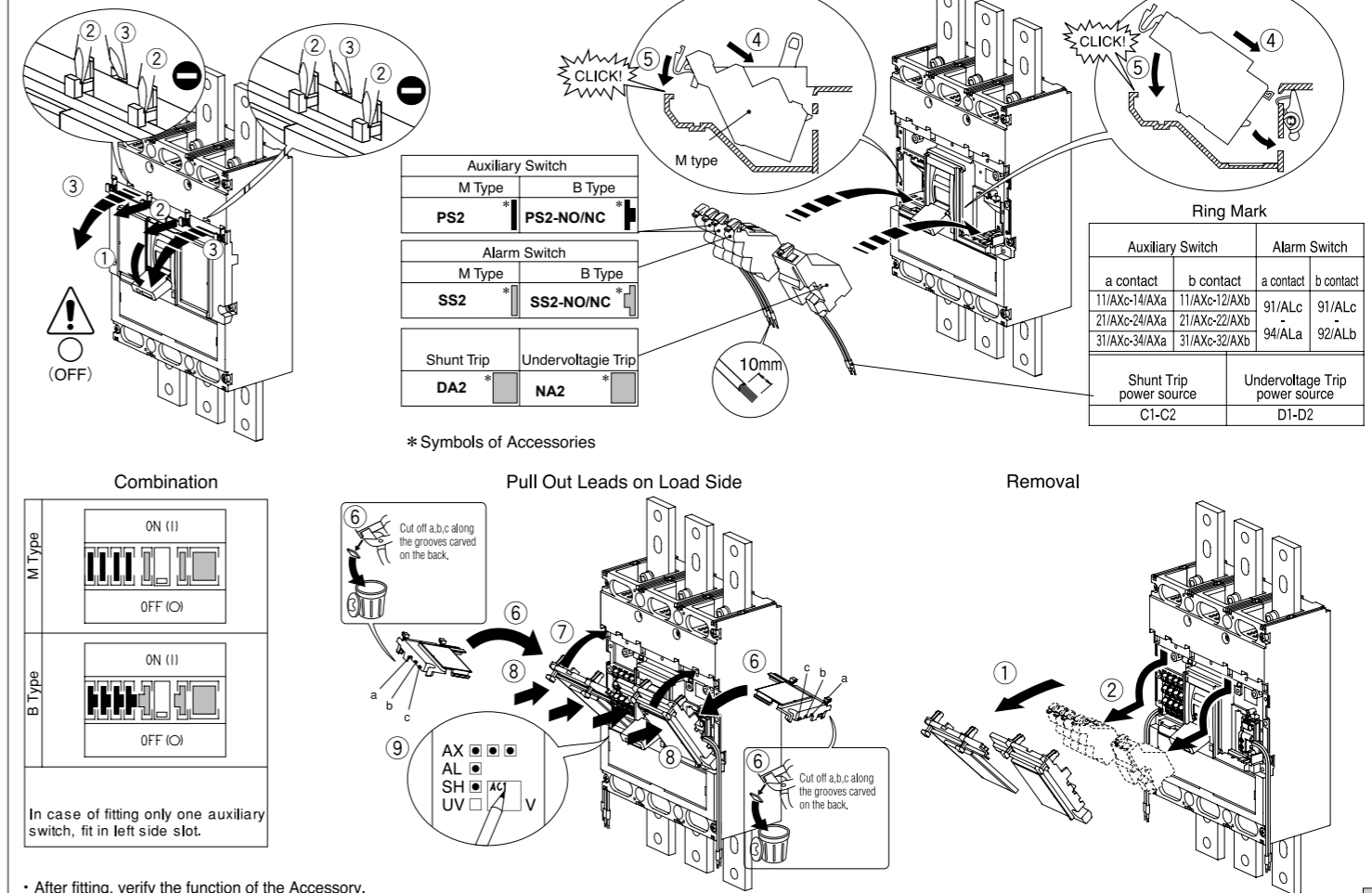


3 Operating Instructions



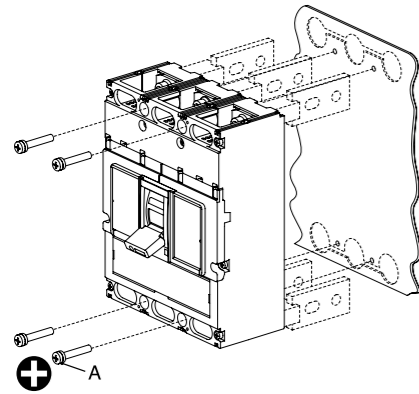
Operation	Operation effort
○(OFF) ⇒ I (ON)	140N
I (ON) ⇒ ○(OFF)	140N
TRIP ⇒ ○(OFF)	170N

4 Fitting Internal Accessories



• After fitting, verify the function of the Accessory.

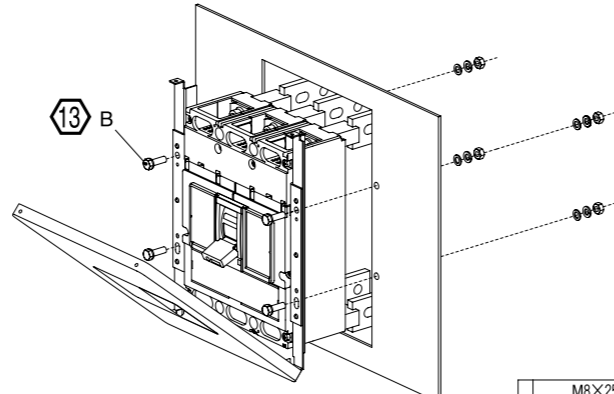
5 Breaker Mounting Procedure for FC / RC



AS10140

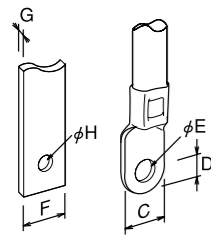
A	M8×45 11.8~14.7N·m
---	-----------------------

6 Breaker Mounting Procedure for F.P (Where Applicable)

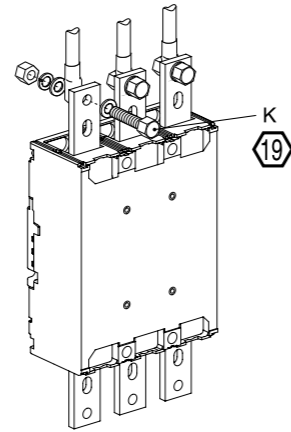


B	M8×25 11.8~14.7N·m
---	-----------------------

7 Conductor Connection Procedure for FC



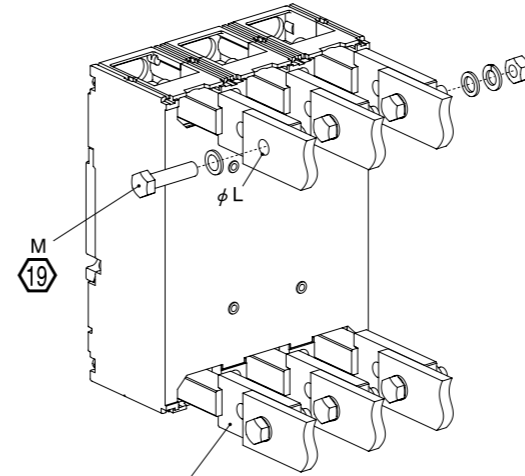
C	≤50.5mm
D	≤19mm
E	13mm
F	≤50.5mm
G	≤10mm
H	13mm



•Insulate all bare conductors of the line side until the breaker end.

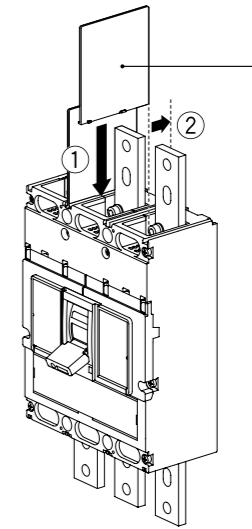
K	M12×55 40.2~65.7N·m
---	------------------------

8 Conductor Connection Procedure for RC / F.P (Where Applicable)



Flat Bar Stud	
RC2	
*:3 or4 (Poles)	
L	13mm
M	M12×47 40.2~65.7N·m

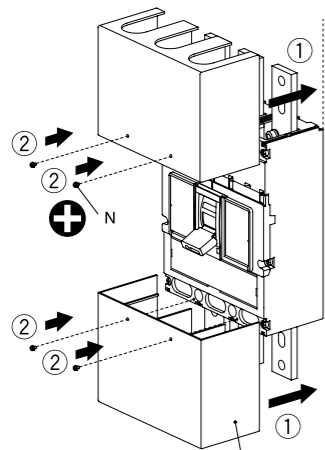
9 Interpole Barrier Mounting Procedure



Interpole Barrier	
IZ2	
*:3 or4 (Poles)	

•When removing, remove the items in reverse order of mounting.

10 Terminal Cover Mounting Procedure



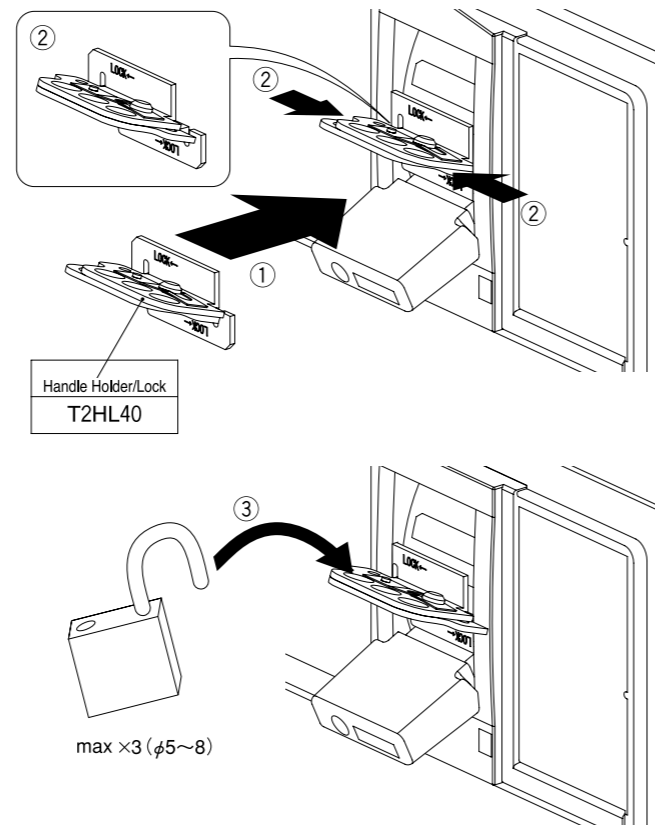
N	M3.5×10 0.74~0.93N·m
---	-------------------------

Connection	Terminal Cover
FC (with Flat Bar)	PRS2

*:3 or4 Poles

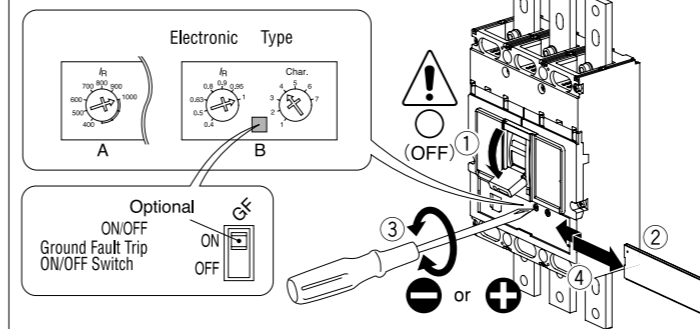
•When removing, remove the items in reverse order of mounting.

11 Handle Holder / Lock Mounting Procedure



•Handle holder/ lock can be fitted in any position of | (ON) and ○(OFF).
•When you use this item as the handle lock, please fit padlocks in the procedure of ③.
•When removing, remove the items in reverse order of mounting.

12 Electronic Type



13 Time / Current Characteristic Curves

