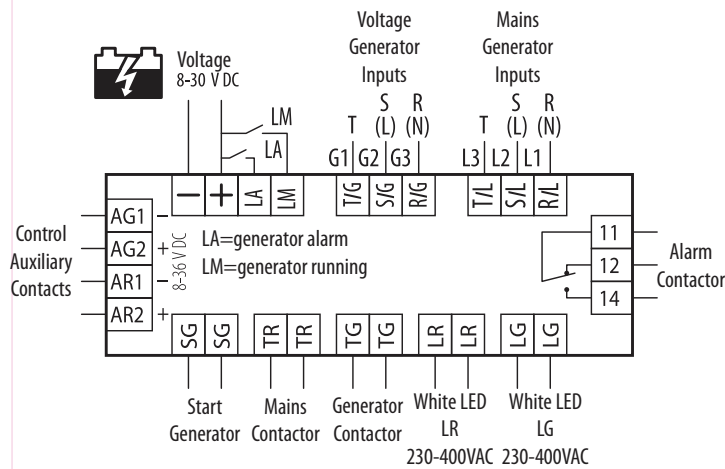


## ATS Controller (ATC-E, ATC-B)

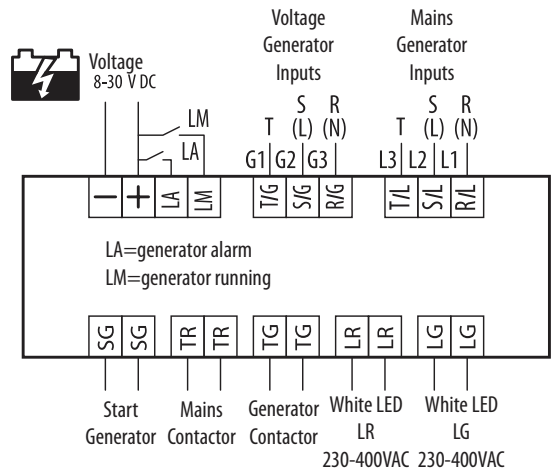
Technical data		ATC-E	ATC-B
<b>Specifications:</b>			
Supply voltage DC	V DC	8 - 30 V DC	
Power consumption (max. AC)	VA	4 VA	
Controlled voltage	V AC	230 V(1F) / 400 V(3F) / 440 V(3F)	
Switch control signal	-	✓	✗
Display Type	-	3 digit, 7 segment	
Measurement type	-	RMS	
Measurement range Voltage	V AC	0 - 500 V AC	
Measurement range of frequency	Hz	45 - 65 Hz	
Accuracy	%	±2 %	
Operating temperature	°C	-10 / +50 °C	
Storage temperature	°C	-30 / +70 °C	
Degree of protection	IP	IP 20	
Max. cable size	mm <sup>2</sup>	2,5 mm <sup>2</sup> (screw clips)	
Relative humidity	%	95 %	
Housing material	-	UL94 V0 (plastic)	
Type of housing	-	Standard dimensions - 96x96	
Dimensions H x W x D	mm	96 x 96 x 112	
Weight	g	230 g	200 g

### Wiring Diagrams

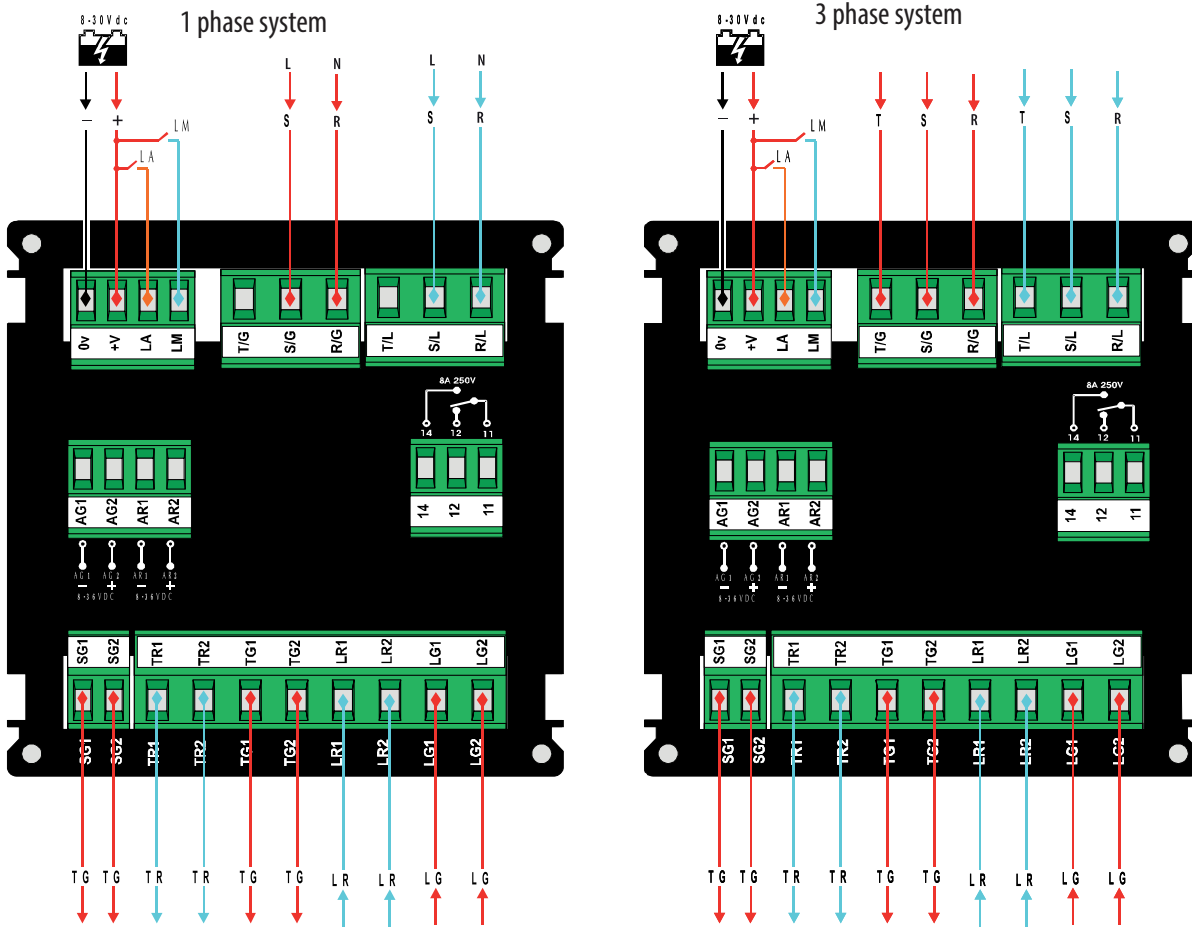
Wiring Diagram ATC-E



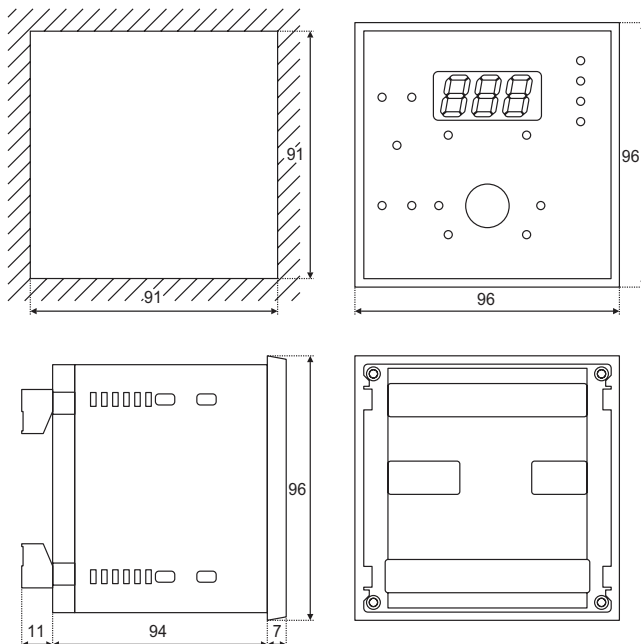
Wiring Diagram ATC-B



Connecting examples



Dimensions



## ATS Controller (ATSC20)

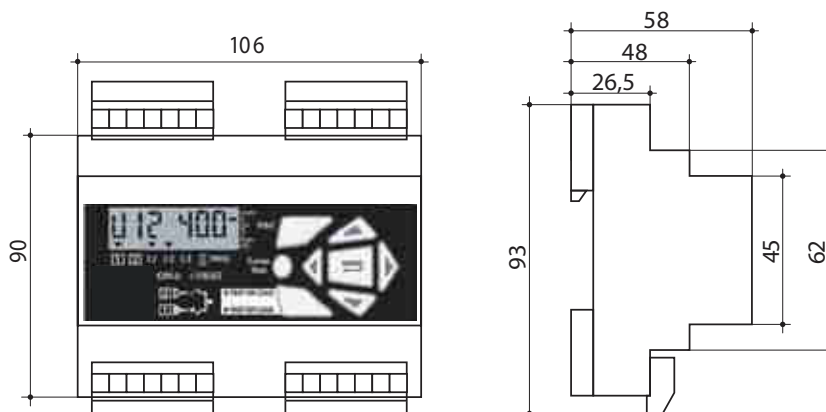
Technical data	
Specifications:	ATSC20
Supplied from measurement circuit	110 ... 400 VAC
DC power supply	9 ... 30 VDC
Measurement range	110 ... 400 VAC / ± 10%
Frequency	50/60 Hz
Accuracy	± 1%
Mounting	on DIN rail
IP rating	IP20 and class II on front face.
Operation temperature	-20 °C ... +60 °C
Operation humidity	80 % / 55 °C 95 % / 40 °C
Consumption	7,5 VA max
Measurement category	III
Storage temperature*	55 °C
Storage humidity	95 % humidity non condensing at 40 °C

\*Maximum storage is one year.

### Description

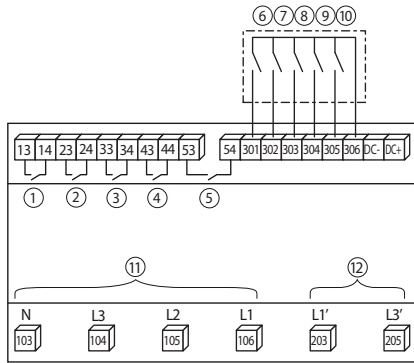


### Dimensions



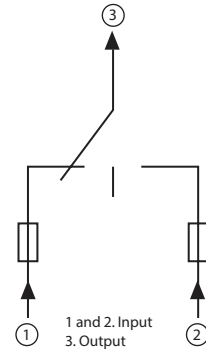
Wiring Diagrams

ATSC20

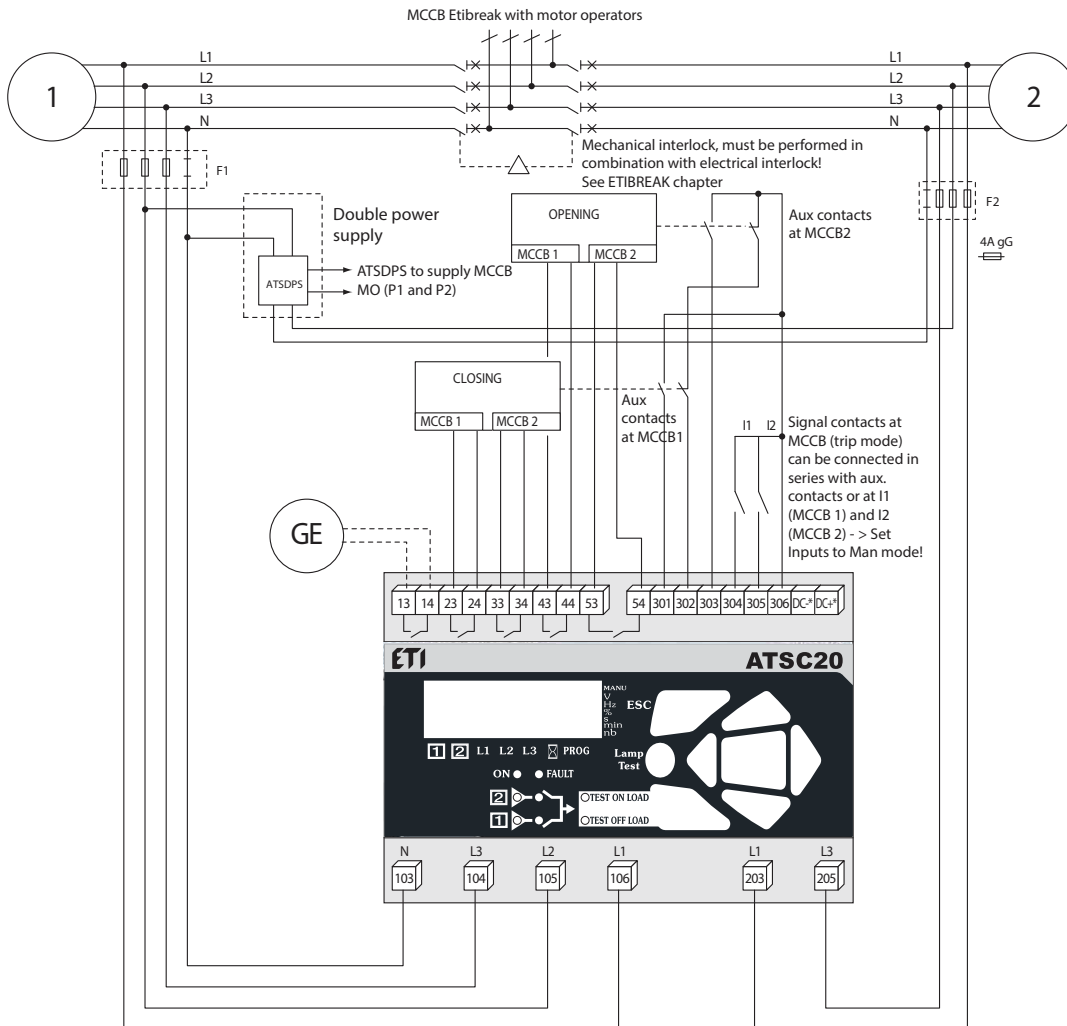


- 1. Genset start / stop control
- 2. Position 1: power control
- 3. Position 2: power control
- 4. O1: programmable output
- 5. O2: programmable output
- 6. AC1: auxiliary contact position 1
- 7. AC0: auxiliary contact position 0
- 8. AC2: auxiliary contact position 2
- 9. I1: programmable input
- 10. I2: programmable input
- 11. Source 1: 3 U network measurement and power supply
- 12. Source 2: 1 U network measurement and power supply

ATSDPS



- 400 vac (P-P) application with neutral conductor circuit breaker type technology
- Electrical interlocking not integrated
- Configure the type of control logic in breaker (see Programming chapter)
- Automatic Power supply 203-205 or 104-106 (see Power supply chapter).

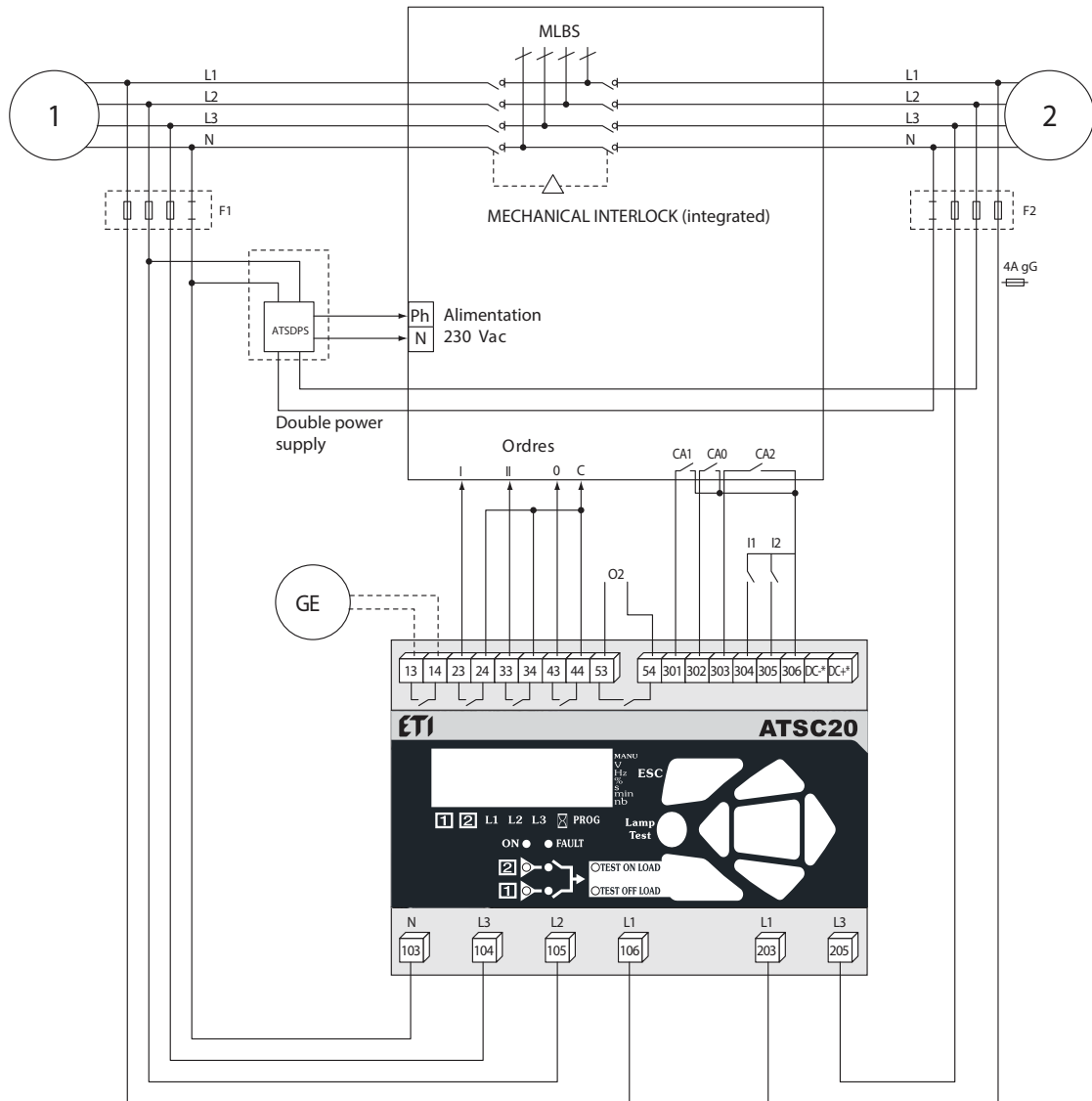


Maximum control cables length = 10m. In case of longer distance use control relays.

This drawing is not including electrical interlock.  
Set 1DT and 2DT timers to at least 2s.

400 Vac (P-P) application with neutral conductor switching type technology

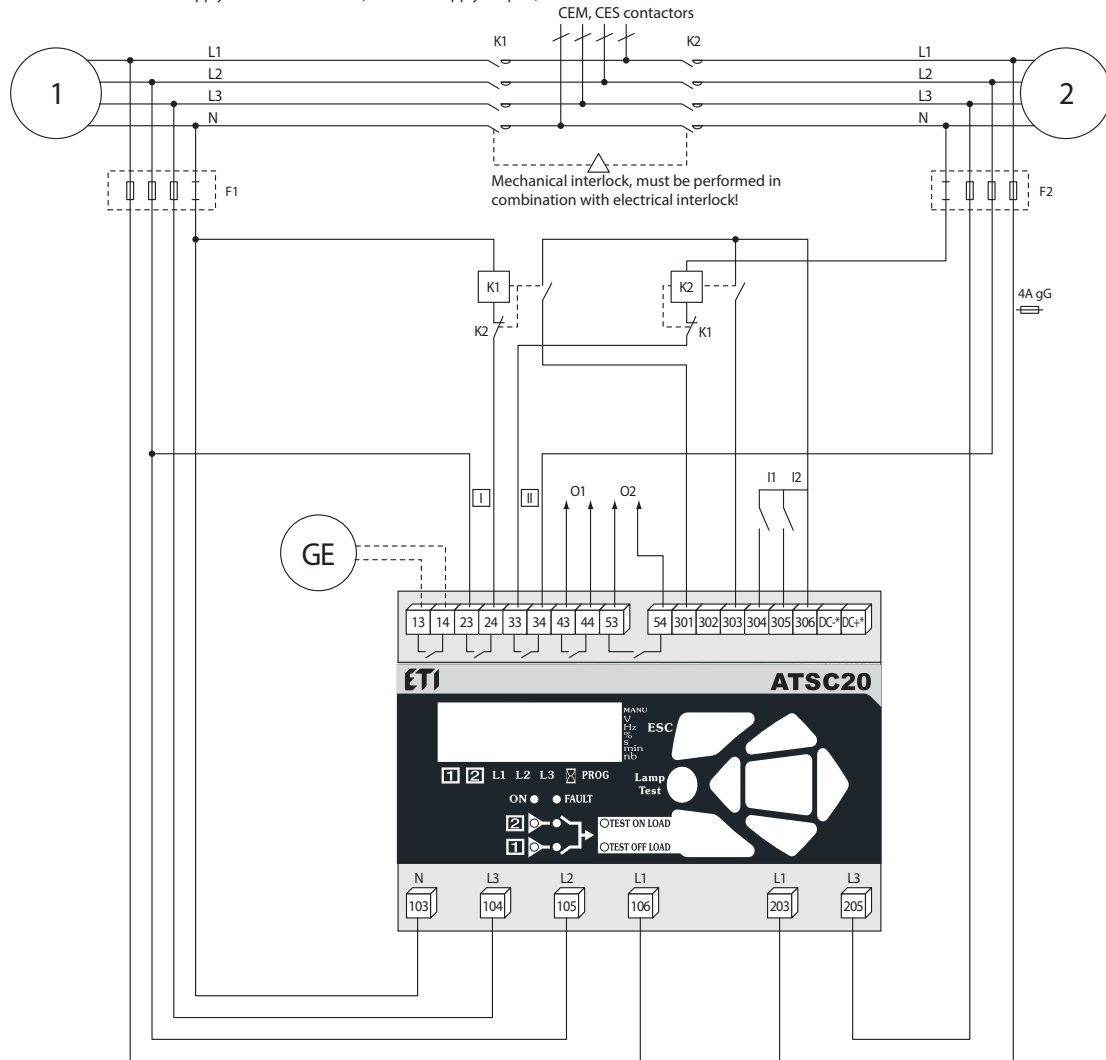
- Configure the type of control logic in impulse mode (see Programming chapter).
- Automatic Power supply 203-205 or 104-106 (see Power supply chapter).



Maximum control cables length = 10m. In case of longer distance use control relays.

MLBS 250, 400, 630 have CTRL (312) - control input to enable functionality (remote control) of MLBS. To be enabled, directly shortwire CTRL(312) to C(317).

- 400 Vac (P-P) application with neutral conductor  
 contactor type technology  
 Electrical interlocking not integrated
- Configure the type of control logic in contactor (see Programming chapter).
  - Automatic Power supply 203-205 or 104-106 (see Power supply chapter).



Maximum control cables length = 10m. In case of longer distance use control relays