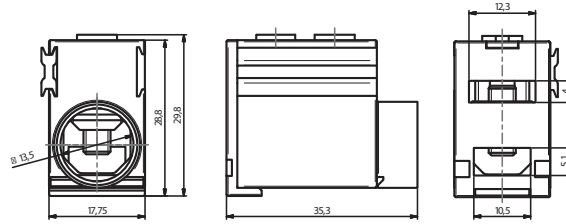


Accessories

Terminal for protective conductors

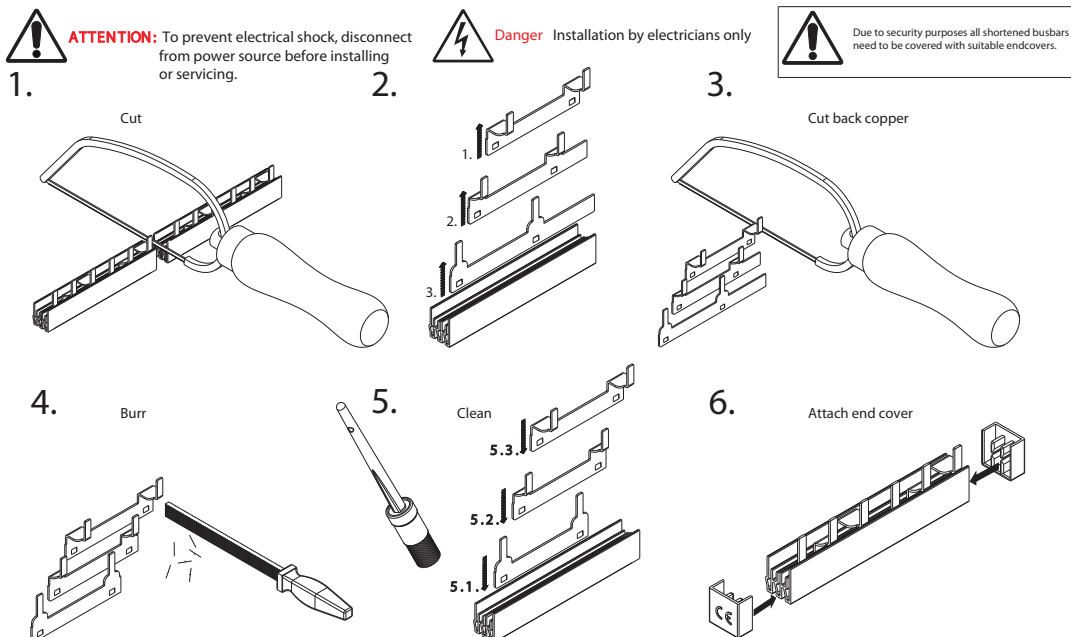
type	length [m]	supply [mm ²]	outlet [mm ²]
2/6	0,056	2 x 22	6 x 14
2/8	0,086	2 x 22	8 x 14
2/12	0,092	2 x 22	12 x 14
2/18	0,128	2 x 22	18 x 14



Technical data - Section rails for ETIMAT P10

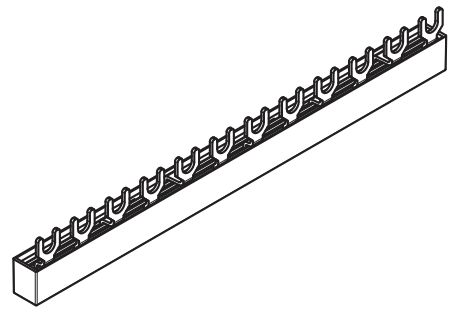
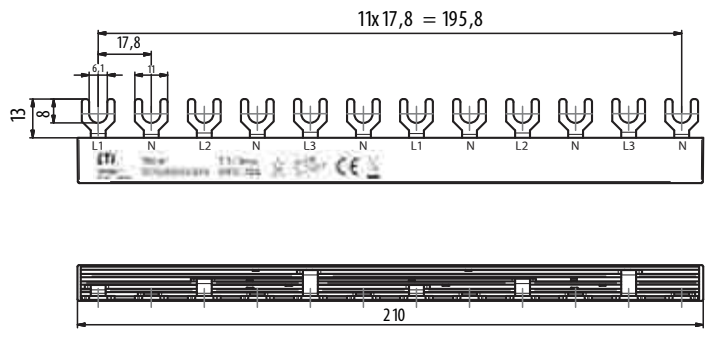
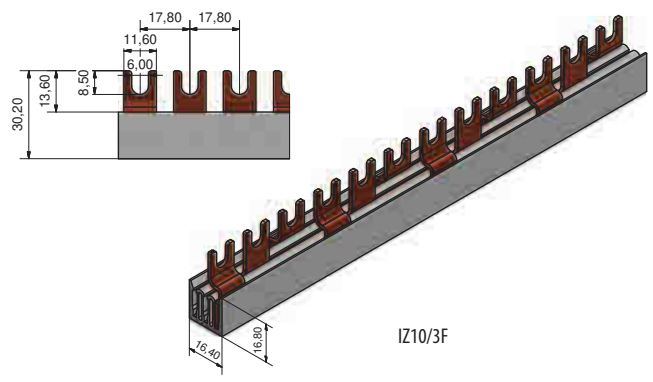
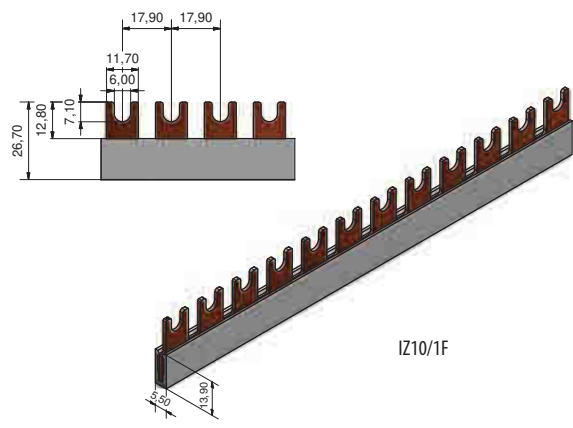
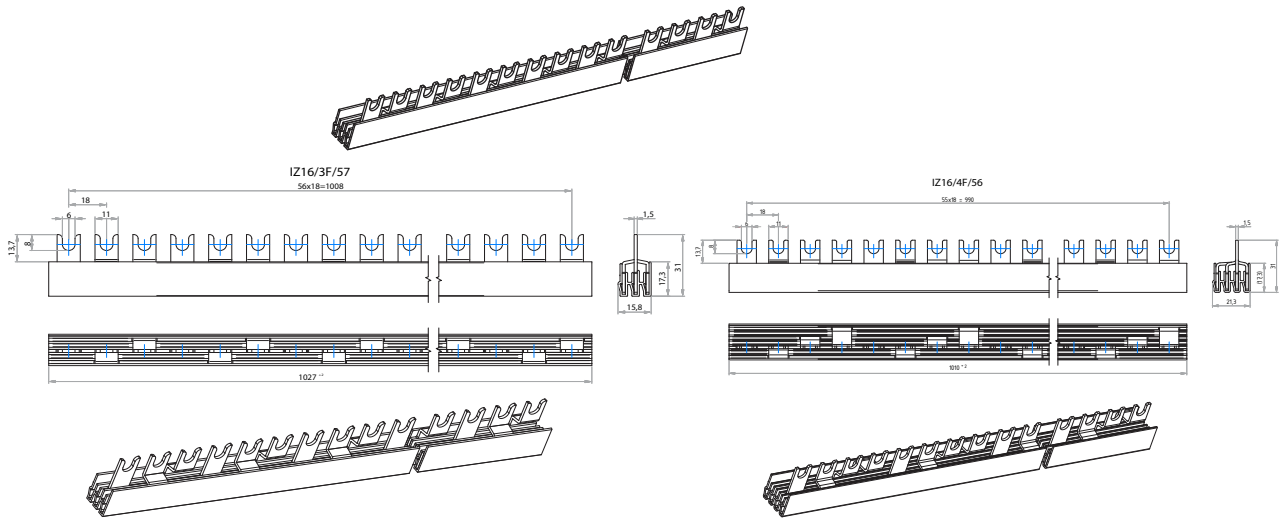
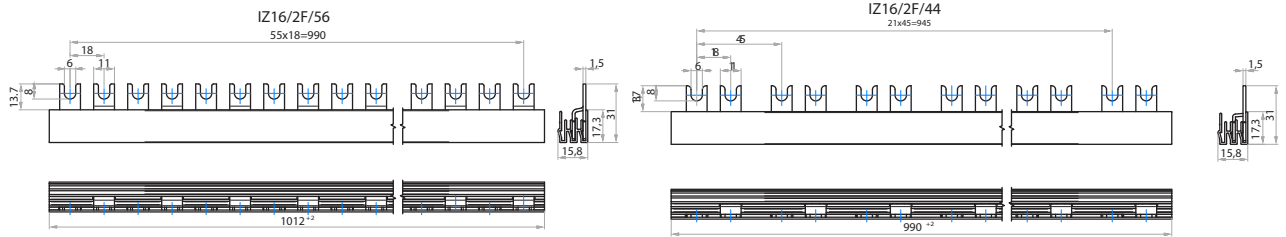
Cross section	10 mm ²	16 mm ²	25 mm ²
Feeding at beginning/ending			
Max. current I _s /Phase	63	80	100
Cross section of connection, mm ²	10	16	25
Feeding in the middle			
Max. current I _e /Phase	100	130	170
Cross section of connection, mm ²	25	35	2x25
Heat deflection temperature PVC	80°C flame resistant		
Comparative tracking index PVC	300V		
Standards	EN 60947-1:2007/ IEC 60947-1:2007		
Climate stability	DIN EN 60068		
Insulation coordination	Degree of pollution 2		
Electrical data			
Impulse voltage strength	≥4,5 kV		
Min. air distance	> 5,5 mm		
Min. creeping distance	> 5 mm		
Max. operating voltage	690 V AC/DC		
Protection class	IP20		
Short circuit rating	ICC 15kA NH 250A gL 500V		
Dielectric strenght	≥ 32 kV/mm		
Material			
	Material	Surface	
Busbar	Copper	plain	
Insulation	PVC lead-free	grey RAL 7035	
Endcover	moulded		

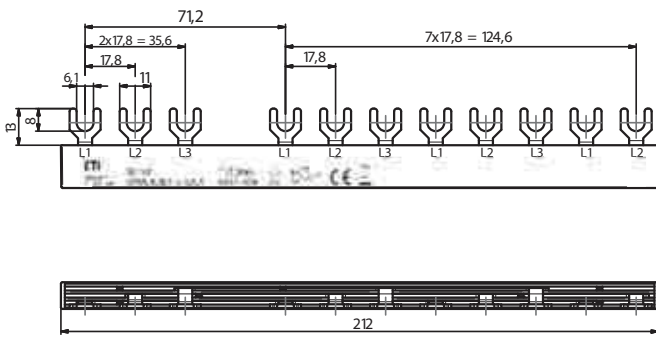
Ampacity at 35 °C ambient temperature depending of feeding point



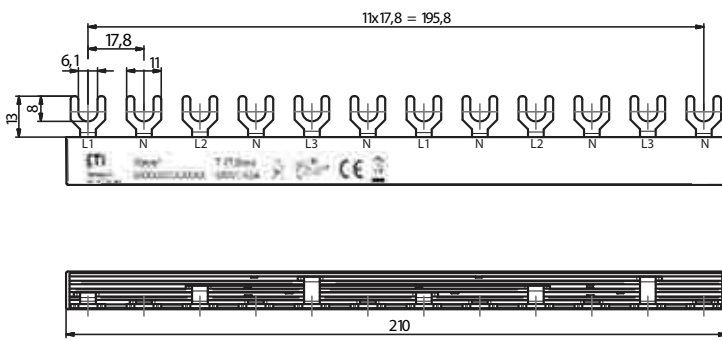
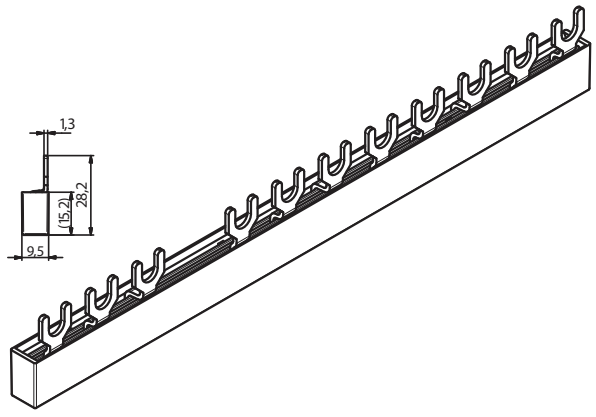
Technical data

Dimensions

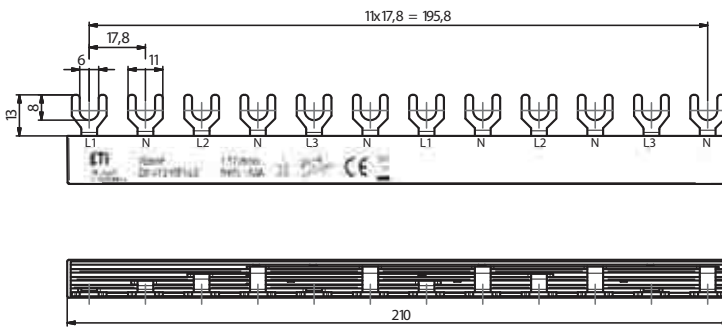
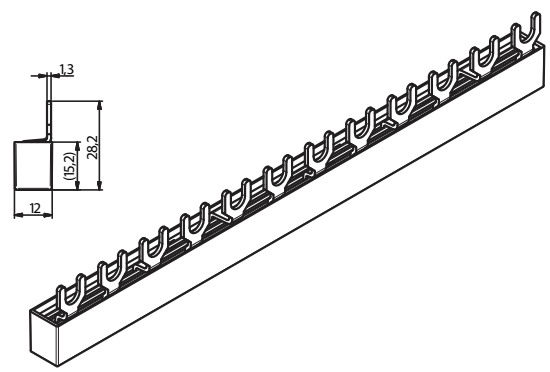




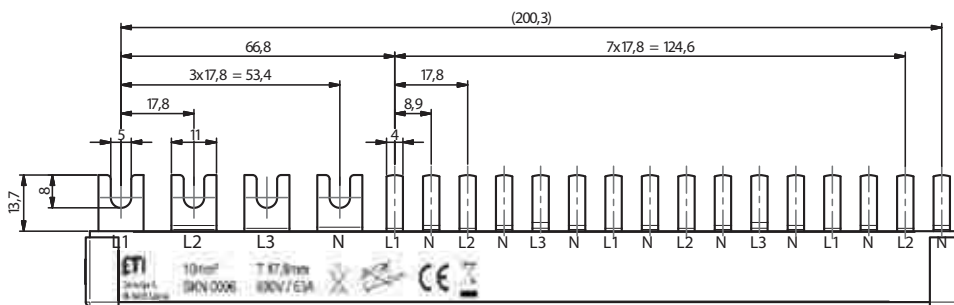
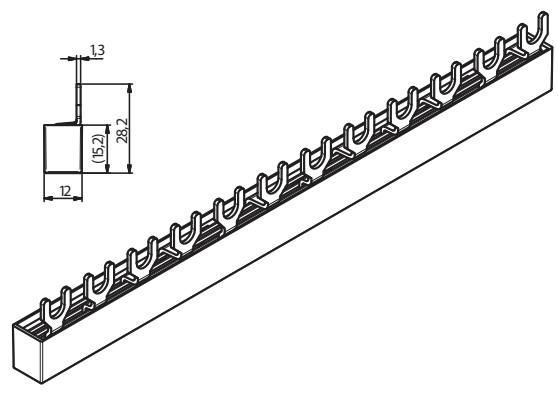
IZ10/L1L2L3_L1L2L3



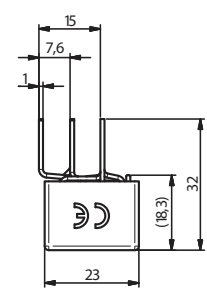
IZ10/L1NL2NL3N/12



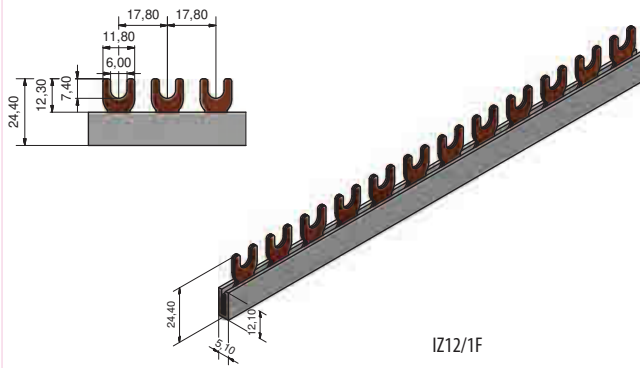
IZ10/L1L2L3NL1NL2NL3N



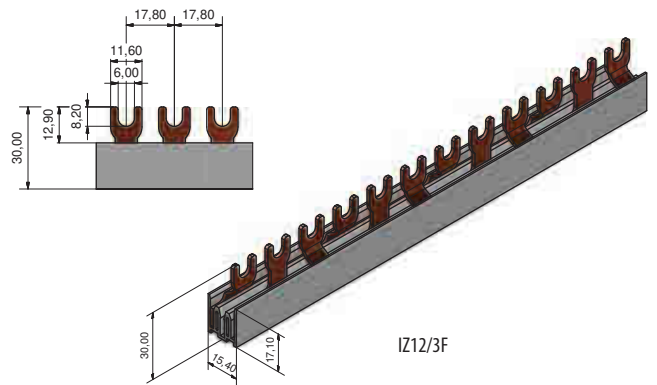
IZ10/L1L2L3NL1/NL2/NL3/N



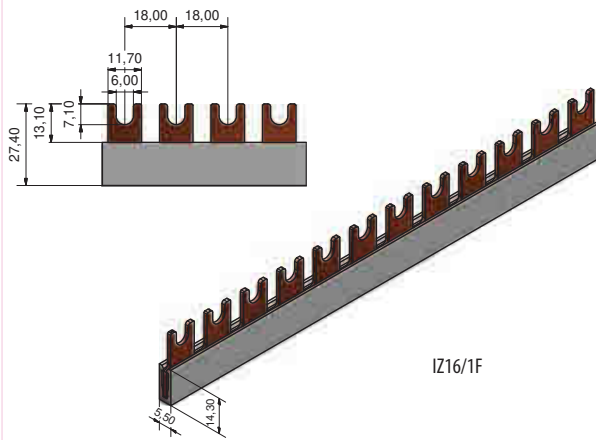
Technical data



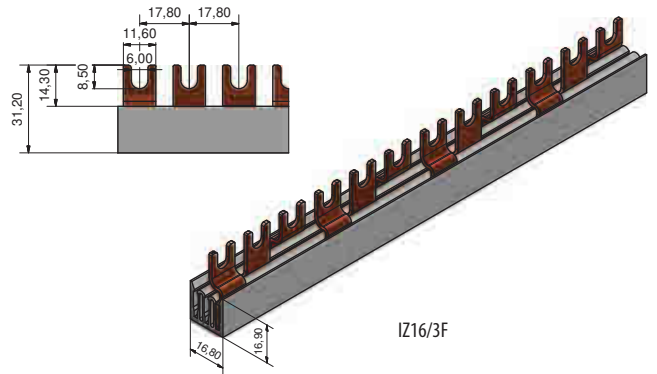
IZ12/1F



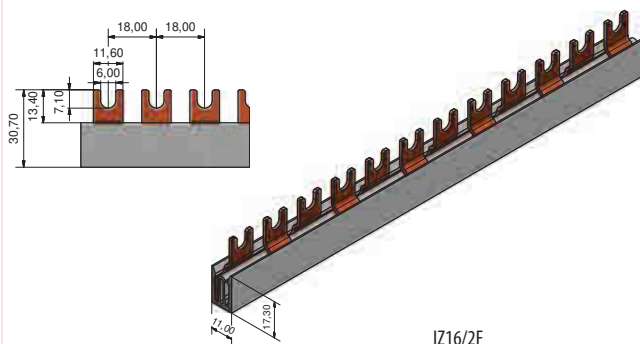
IZ12/3F



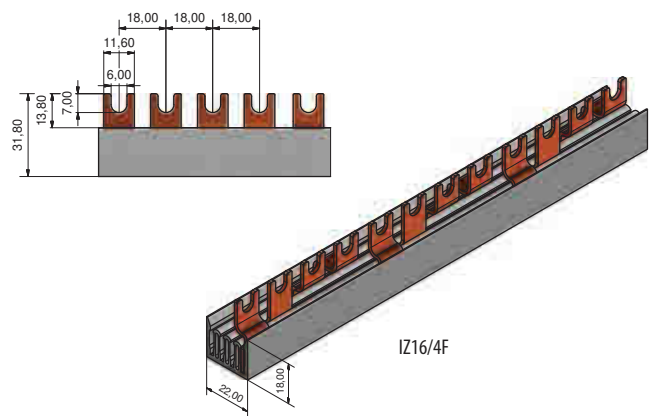
IZ16/1F



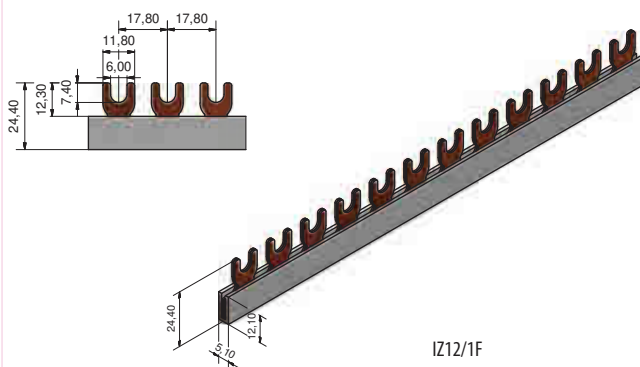
IZ16/3F



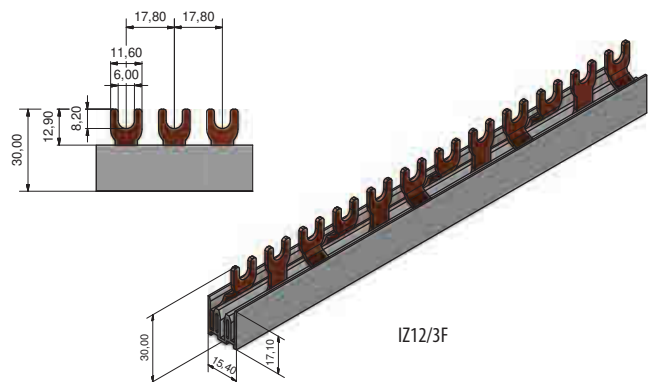
IZ16/2F



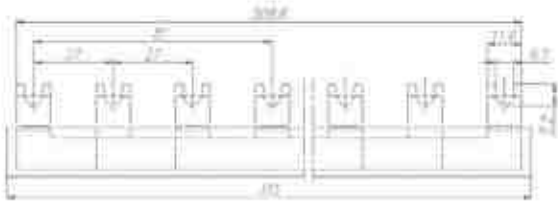
IZ16/4F



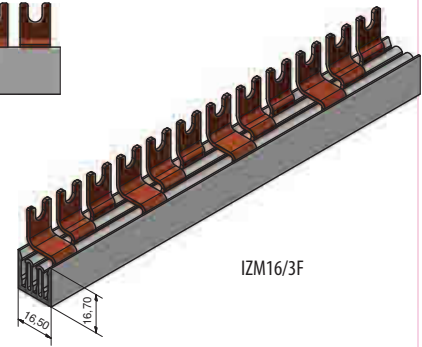
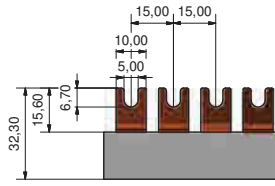
IZ12/1F



IZ12/3F



IZ16_3F_12_STV

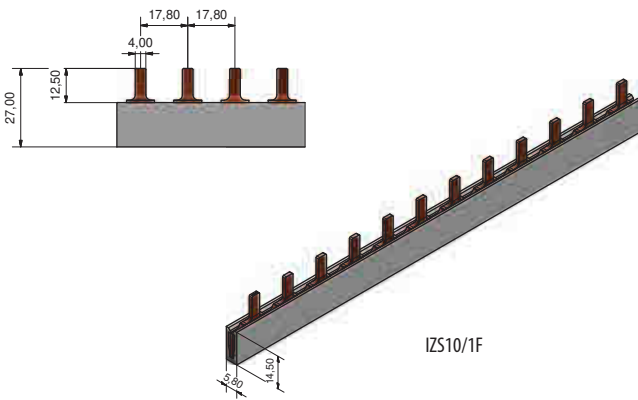


IZM16/3F

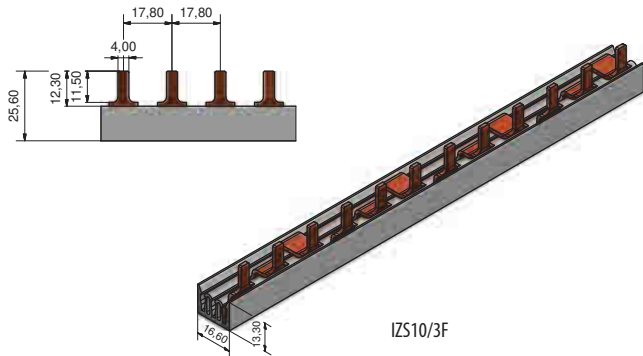
IZ-S rails

Nominal voltage	max. 500V
Dielectric strength	2,5 kV
Insulating resistance	> 5 MΩ (DIN 53482)
Temperature range	-20°C ... + 50°C
Glow wire test	850°C (IEC 695-2-1)
Self-extinguishing	V-0
Standards	EN 60947-7-1

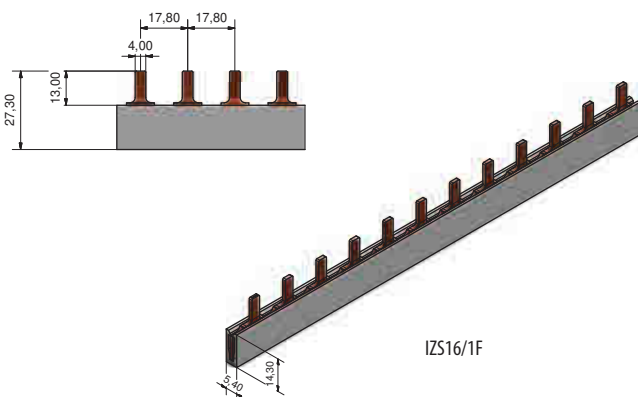
cross section	Rated current (A)
10 mm ²	63
12 mm ²	80
16 mm ²	100



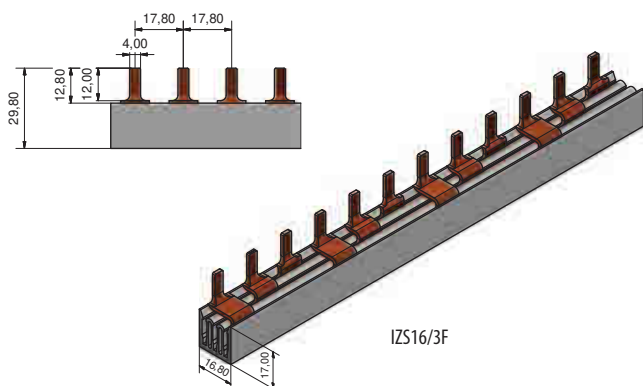
IZS10/1F



IZS10/3F

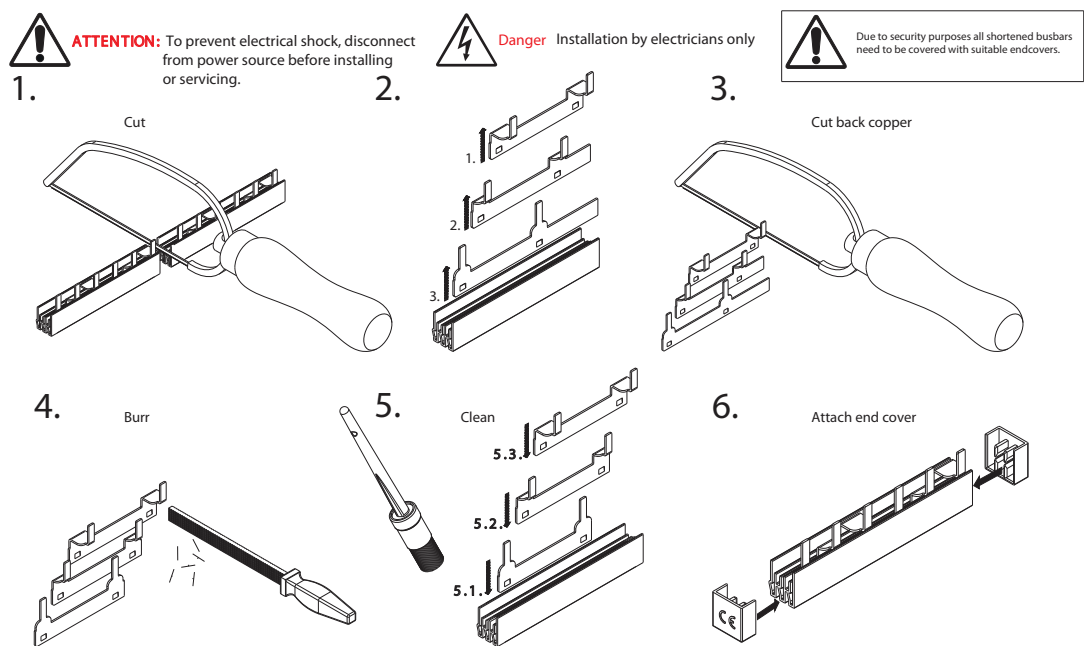


IZS16/1F

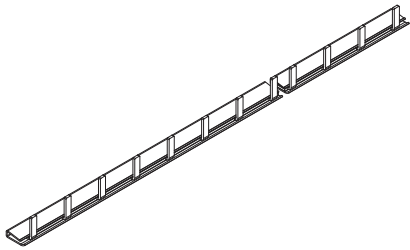
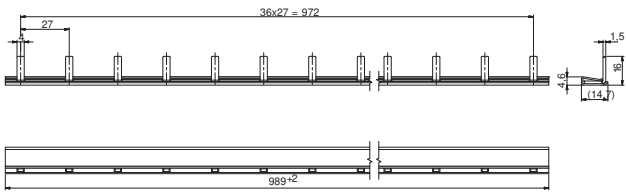


IZS16/3F

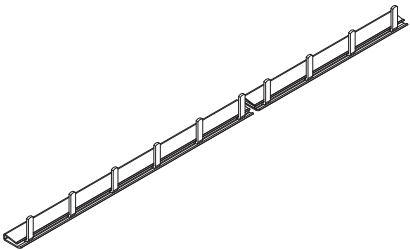
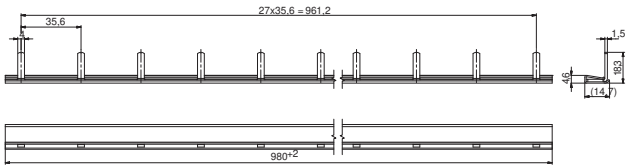
Technical data - Section rails for EFD		
Cross section	16 mm ²	50 mm ²
Feeding at beginning/ending		
Max. current I _s /Phase	80	160
Cross section of connection, mm ²	16	50
Feeding in the middle		
Max. current I _e /Phase	130	250
Cross section of connection, mm ²	35	2x50
Heat deflection temperature PVC	80°C flame resistant	
Comparative tracking index PVC	300V	
Standards	EN 60947-1:2007/ IEC 60947-1:2007	
Climate stability	DIN EN 60068	
Insulation coordination	Degree of pollution 2	
Electrical data		
Impulse voltage strength	≥4,5 kV	
Min. air distance	> 5,5 mm	
Min. creeping distance	> 5 mm	
Max. operating voltage	690 V AC/DC	
Protection class	IP20	
Short circuit rating	ICC 15kA NH 250A gL 500V	
Dielectric strenght	≥ 32 kV/mm	
Material		
	Material	Surface
Busbar	Copper	plain
Insulation	PVC lead-free	grey RAL 7035
Endcover	moulded	



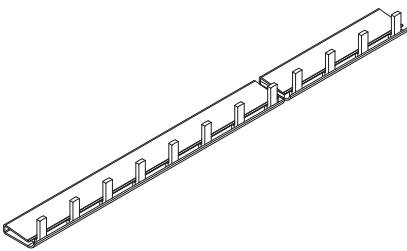
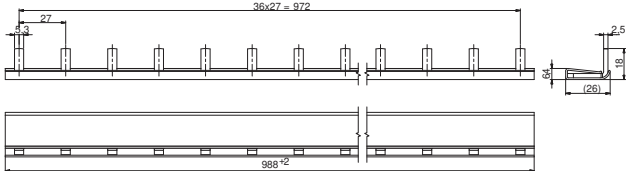
IZ16/1F/37



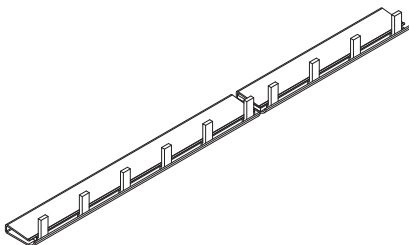
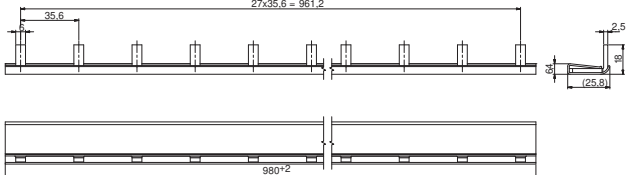
IZ16/1F/28



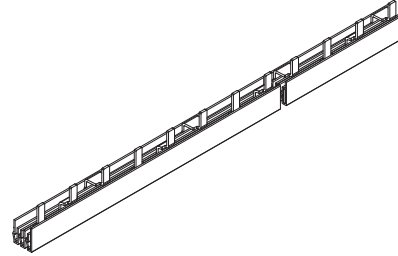
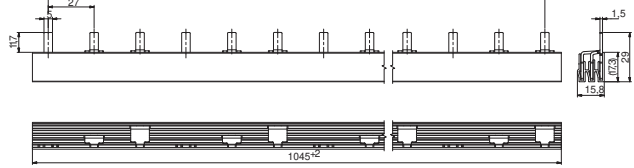
IZ50/1F/37



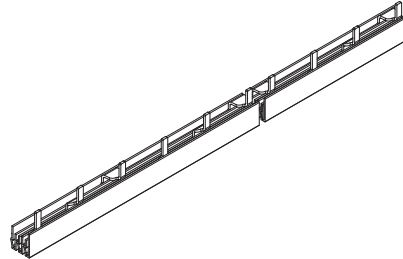
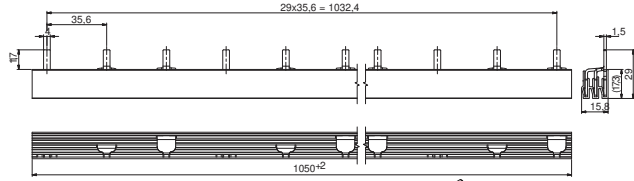
IZ50/1F/28



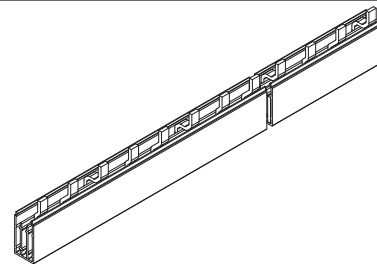
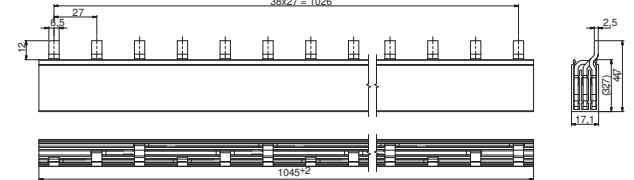
IZ16/3F/37



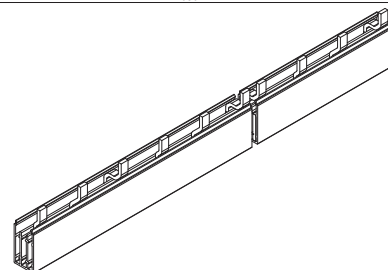
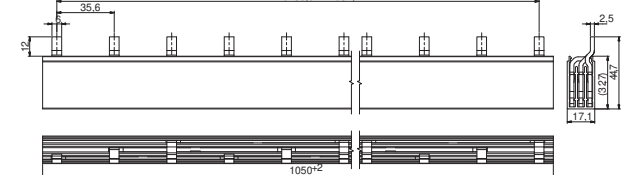
IZ16/3F/28



IZ50/3F/37

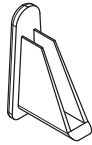
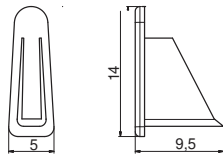


IZ50/3F/28

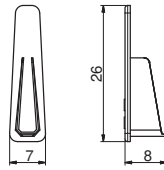


Technical data

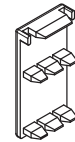
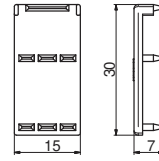
Z-16/1F/37



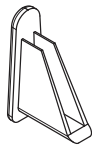
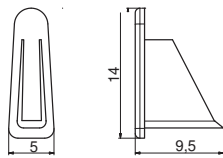
Z-50/1F/37



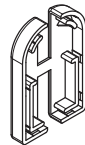
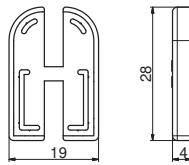
Z-50/3F/39



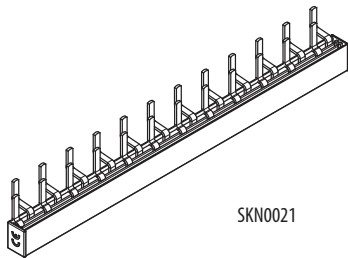
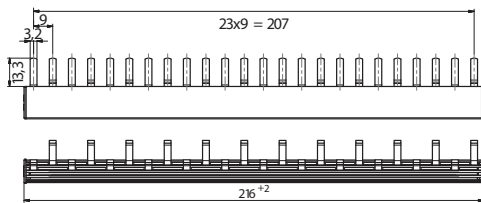
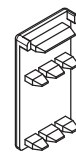
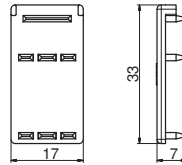
Z-16/1F/28



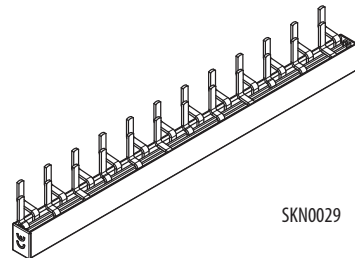
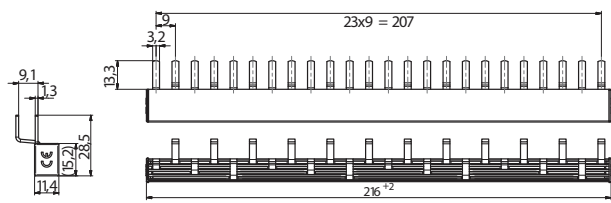
Z-50/1F/28



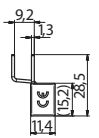
Z-50/3F/30

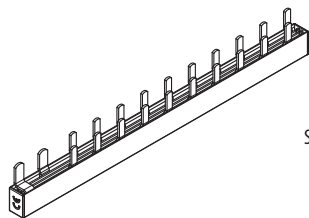
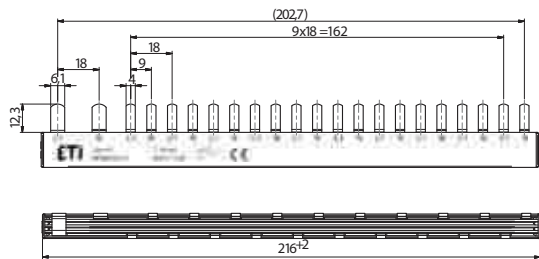


SKN0021

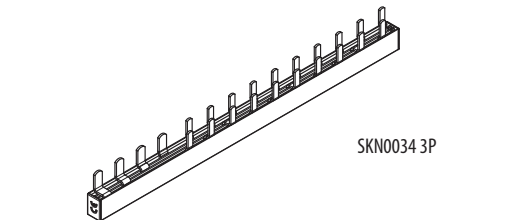
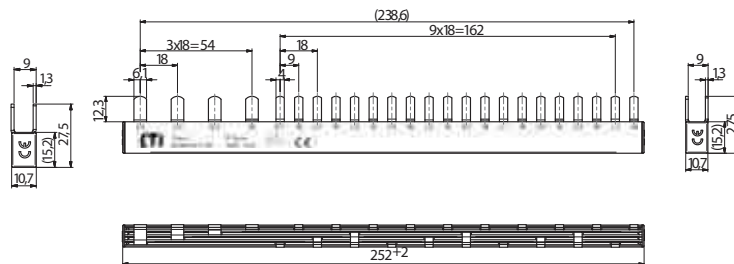


SKN0029





SKN0032



SKN0034 3P