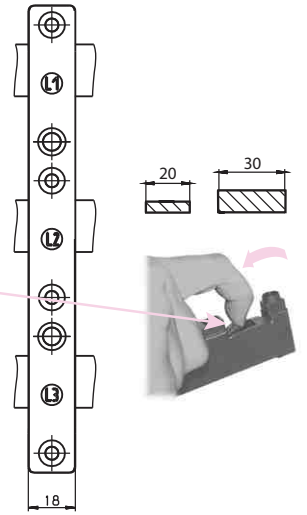
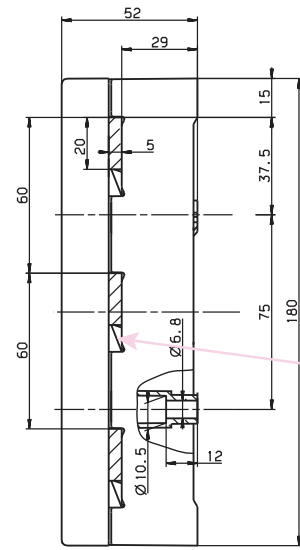
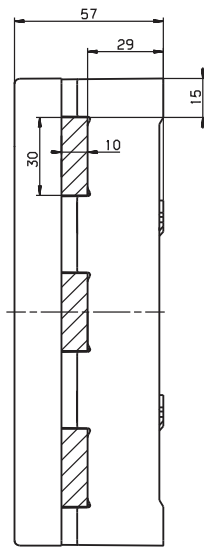
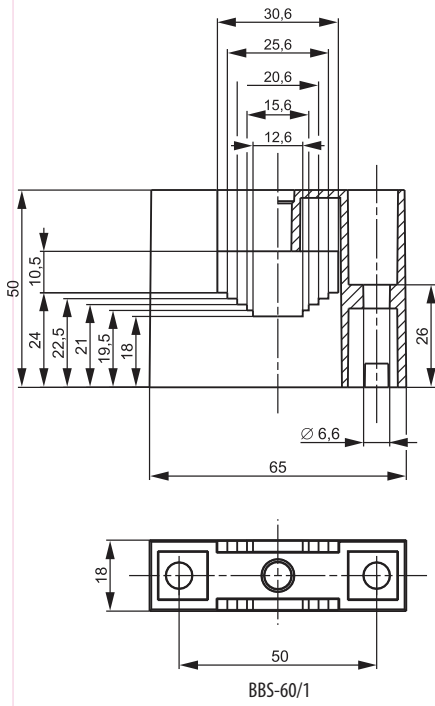
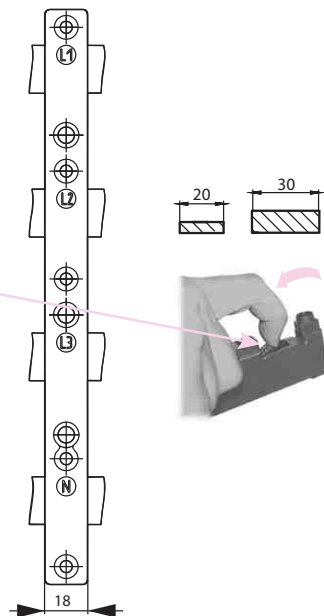
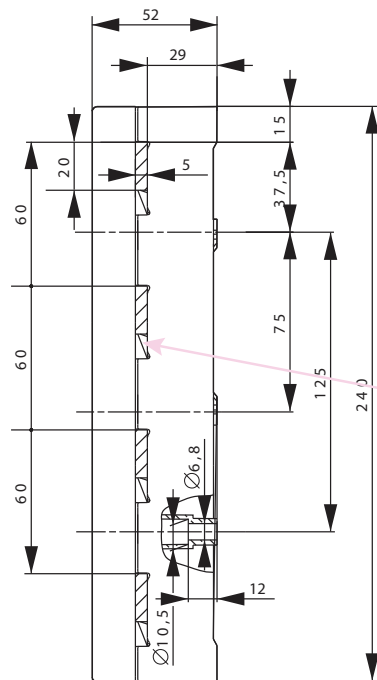
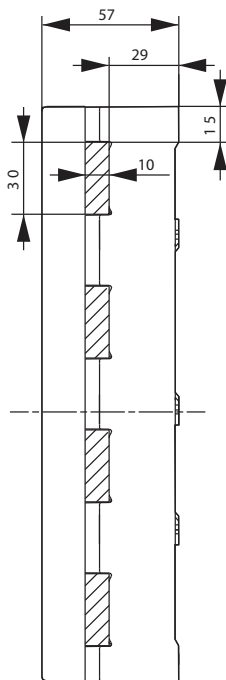


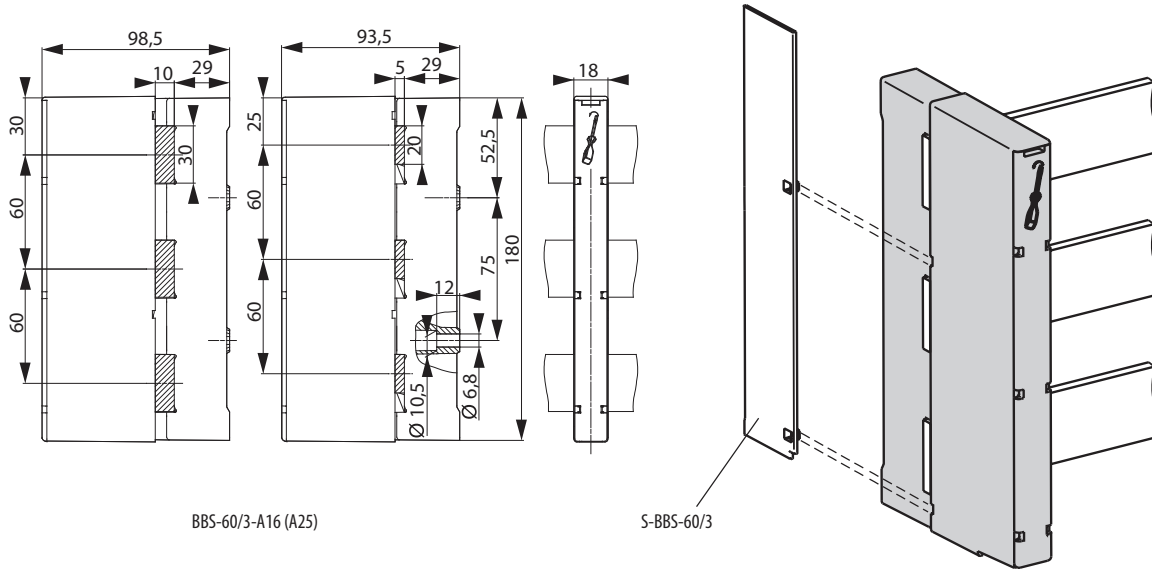
Busbar support



BBS-60/3

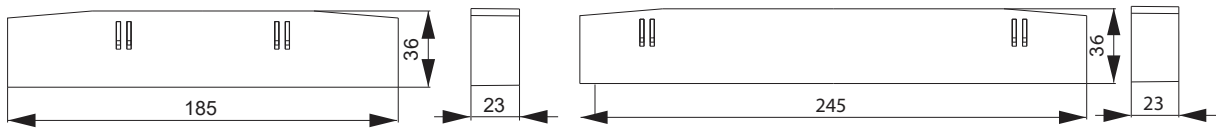


BBS-60/4



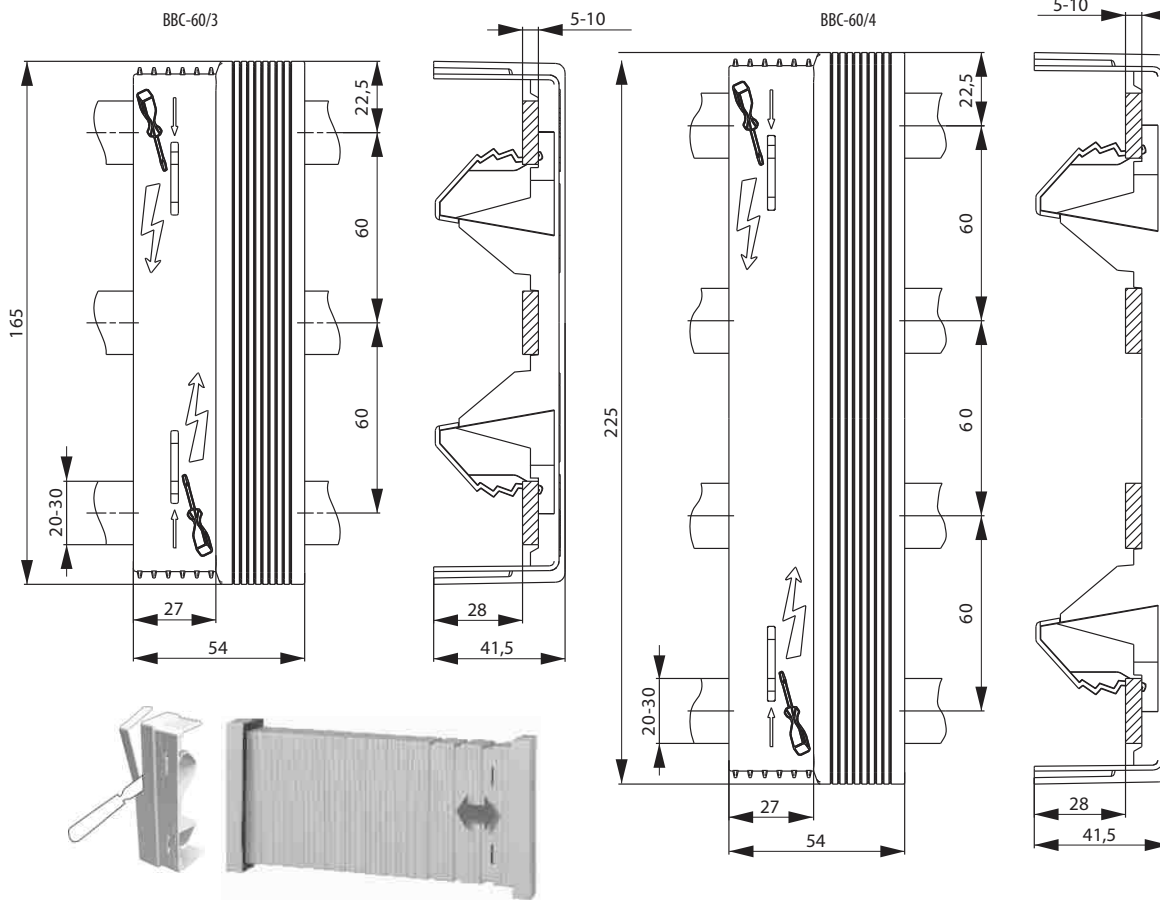
BBS-60/3-A16 (A25)

S-BBS-60/3



L-BBS-60/3

L-BBS-60/4



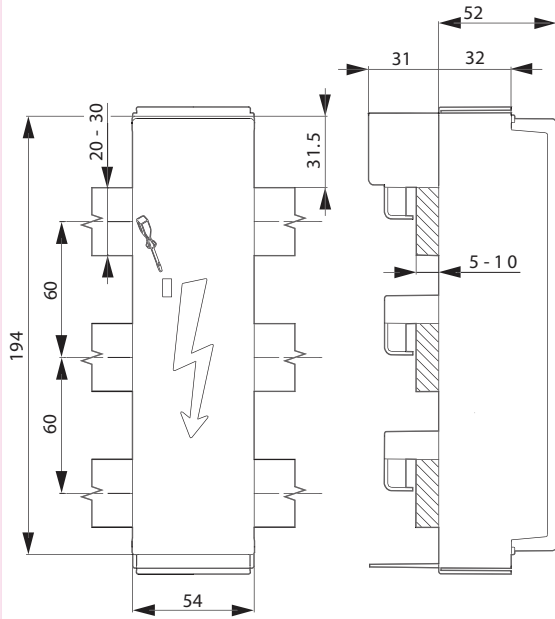
BBC-60/3

BBC-60/4

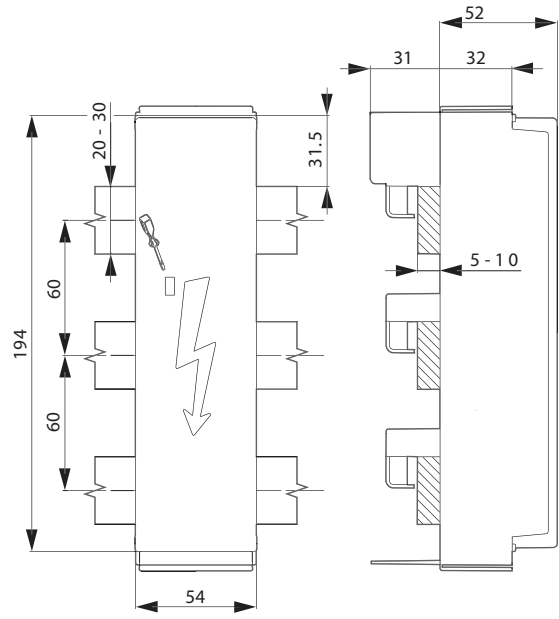
BBC-1/20, BBC-1/30

	A	Busbar Type
BBC-1/20	21	20x5 / 20x10
BBC-1/30	31	30x5 / 30x10

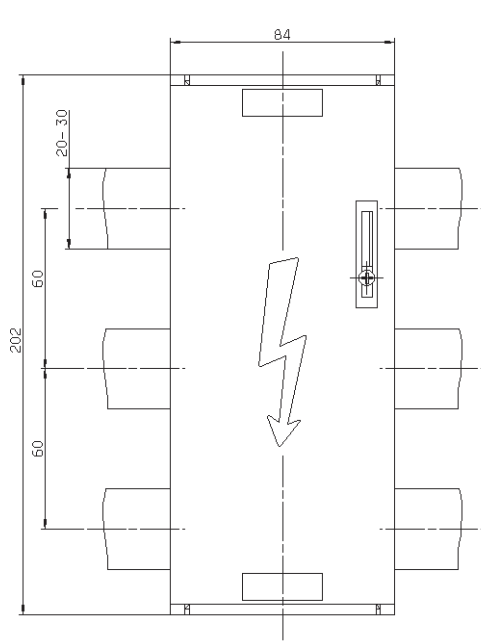
Technical data



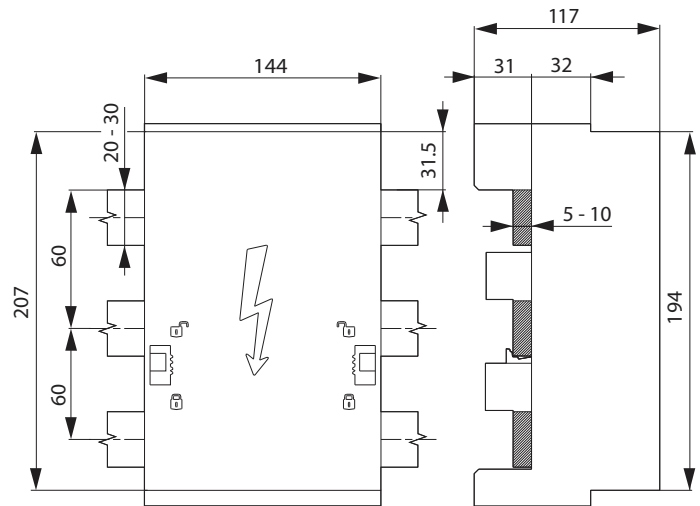
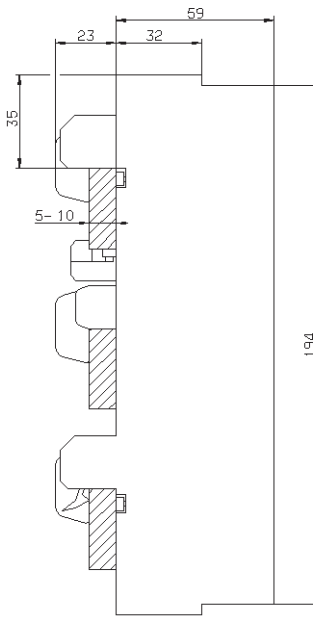
CM-60/250/3



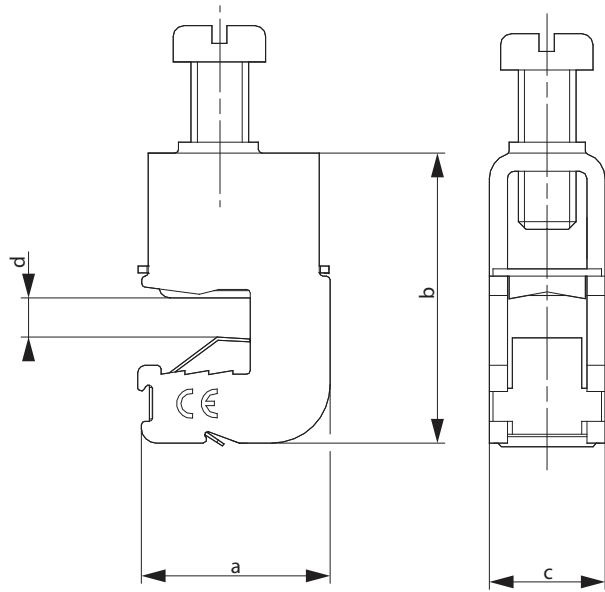
CM-60/250/4



CM-60/250/3/120-5/10

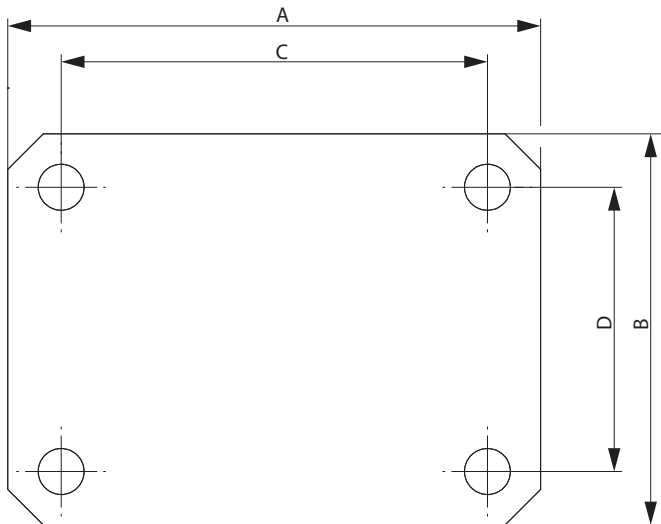


CM-60/630/3



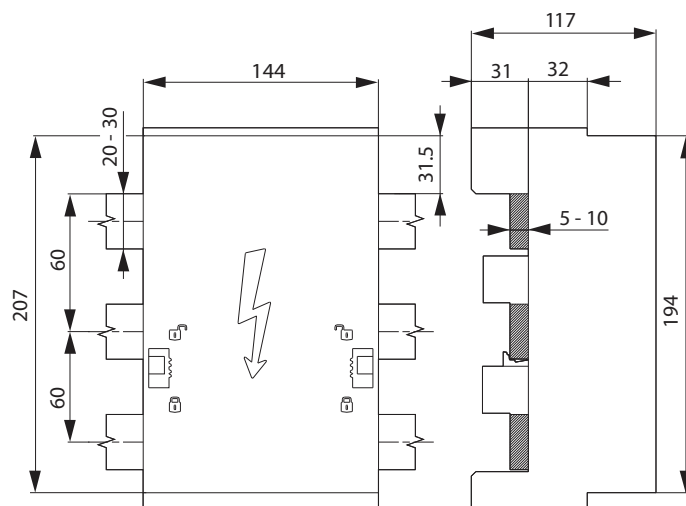
	d (Busbar thickness)	a	b	c
CT-5/16	5	25,5	26,5	12
CT-5/35		26,5	31,5	16
CT-5/50		26,5	35	16
CT-5/70		28	39	20,5
CT-5/120		29	46	23
CT-5/185		29	49	28,5
CT-10/35	10	25,5	31,5	12
CT-10/50		26,5	36	16
CT-10/70		26,5	40	16
CT-10/120		28	39	20,5
CT-10/185		29	51	23
		29	53	28,5

CT- ...

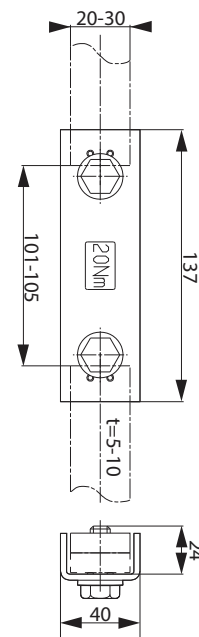


PT-30/34x10

	A	B	C	D
00169031	55	55	40	40
00169150	65	55	50	40
00169151	75	55	60	40



BBCH-60/144



BC-20x5-30x10

Technical data

Horizontal fuse-switch disconnecter type KVL size 00, 1, 2, 3

Technical data (in accordance with IEC/EN 60947-3)

Size	00						1					
Technical Characteristics												
Rated operational voltage	U_e	V	400 AC	500 AC	690 AC	250 DC	440 DC	400 AC	500 AC	690 AC	250 DC	440 DC
Rated operational current	I_e	A	160	160	160	160	160	250	250	250	250	250
Conv. free air thermal current with fuse-links, *	I_{th}	A	160					250				
Conv. free air thermal current with solid-links, *	I_{th}	A	On request					On request				
Rated frequency	f	Hz	40-60	40-60	40-60	/	/	40-60	40-60	40-60	/	/
Rated insulation voltage	U_i	V	1000 AC					1000 AC				
Total power loss (without fuse)	P_v	W	1P - 5 W, 3P - 14 W					1P - 7 W, 3P - 22 W				
Power loss at 80% I _{th} (without fuse-links), **	P_v	W	1P - 3 W, 3P - 9 W					1P - 4,7 W, 3P - 14,1 W				
Rated impulse withstand voltage	U_{imp}	kV	8					8				
Utilisation category***			AC-23B	AC-22B	AC-21B	DC-22B	DC-21B	AC-23B	AC-22B	AC-21B	DC-22B	DC-21B
Rated conditional short-circuit current, ***, ****		kA	120 (500V), 100 (690V)					120 (500V), 100 (690V)				
Rated short-time withstand current	I_{cw}	kA	5/1s					8,6/1s				
Fuse links												
Size - DIN VDE 0636-2	-	-	000/00					1				
Max. rated current (gG)	I_n	A	160	160	160	160	160	250	250	250	250	250
Max. permissible power loss per fuse link	P_a	W	12					23				
Cable terminal												
Flat terminal-Screw			M8					M10				
Tightening torque	Ma	Nm	12-15					30-35				
Clip terminal, Clamping cross-section		mm ²	Round conductor: 1,5-70 Cu, Laminated copper bar: 6 x 9 x 0,8 Cu					Round conductor: 2,5-150 Cu, Laminated copper bar: 6 x 16 x 0,8 Cu				
Tightening torque	Ma	Nm	2,6					9,5				
Prism Clamp, Clamping cross-section		mm ²	(SP KVL00 P1); 10-70 Al/Cu, 35-95 Al/Cu					(SP KVL1 P1); 10-150 Al/Cu				
Tightening torque	Ma	Nm	(SP KVL00 P1); 2,6					(SP KVL1 P1); 4,5				
Prism Clamp, Clamping cross-section		mm ²						(SP KVL1 P2); 2 x (10-150) Al/Cu				
Tightening torque	Ma	Nm						(SP KVL1 P2); 4,5				
Frame clamp, Clamping cross-section		mm ²	1,5-95 Al/Cu, (Al 95: max. 125A)					35-150 Al/Cu				
Torque	Ma	Nm	4,5					12				
Degree of Protection, front side device												
Front cover close	-	-	IP20					IP20				
Front cover open	-	-	IP10					IP10				
With clamp- and lateral cover	-	-	IP2XC					IP2XC				
Operating condition												
Ambient temperature *****	T_{amb}	°C	-25 ... +55					-25 ... +55				
Operating condition	-	-	Continuous operation					Continuous operation				
Mounting	-	-	vertical, horizontal					vertical, horizontal				
Altitude	-	m	≤ 2000					≤ 2000				
Pollution degree	-	-	3					3				
Overvoltage category	-	-	III					III				

* Mounting of several units in low voltage switchgear-combinations, please think about rated diversity factors acc. to DIN EN 61439.

** Reference value for replacement of devices acc. to DIN EN 61439-1 clause 10.10.4.2.

*** minimum distance to earthed, conductive parts: Lateral: 20mm/Above: 50mm

*** a) Lateral: 50mm/Above: 100mm

**** Type tested with NH fuse-links characteristic gG

***** 35°C Normal temperature, at 55°C with reduced operating current

Technical data (in accordance with IEC/EN 60947-3)

Size	2						3					
Technical Characteristics												
Rated operational voltage	U_e	V	400 AC	500 AC	690 AC	250 DC	440 DC	400 AC	500 AC	690 AC	250 DC	440 DC
Rated operational current	I_e	A	400	400	400	400	400	630	630	630	630	630
Conv. free air thermal current with fuse-links, *	I_{th}	A	400					630				
Conv. free air thermal current with solid-links, *	I_{th}	A	On request					On request				
Rated frequency	f	Hz	40-60	40-60	40-60	/	/	40-60	40-60	40-60	/	/
Rated insulation voltage	U_i	V	1000 AC					1000 AC				
Total power loss (without fuse)	P_v	W	1P - 12 W, 3P - 36 W					1P - 29 W, 3P - 86 W				
Power loss at 80% Ith (without fuse-links), **	P_v	W	1P - 7,7 W, 3P - 23 W					1P - 18,3 W, 3P - 55 W				
Rated impulse withstand voltage	U_{imp}	kV	8					8				
Utilisation category***			AC-23B	AC-22B	AC-21B	DC-22B	DC-21B	AC-23B	AC-22B	AC-21B	DC-22B	DC-21B
Rated conditional short-circuit current, ***, ****		kA	120 (500V), 100 (690V)					120 (500V), 100 (690V)				
Rated short-time withstand current	I_{cw}	kA	15/1s					15/1s				
Fuse links												
Size - DIN VDE 0636-2	-	-	2					3				
Max. rated current (gG)	I_n	A	400	400	400	400	400	630	630	630	630	630
Max. permissible power loss per fuse link	P_a	W	34					48				
Cable terminal												
Flat terminal-Screw			M10					M10 / M12				
Tightening torque	M_a	Nm	30-35					30-35				
Clip terminal, Clamping cross-section		mm ²	Round conductor: 25-150 Cu, Laminated copper bar: 10 x 16 x 0,8 Cu					Laminated copper bar: 11 x 21 x 1 Cu				
Tightening torque	M_a	Nm	23					23				
Prism Clamp, Clamping cross-section		mm ²	(SP KVL2 P1); 120-240 Al/Cu					(SP KVL3 P1); 120-300 Al/Cu				
Tightening torque	M_a	Nm	(SP KVL2 P1); 11					(SP KVL3 P1); 11				
Prism Clamp, Clamping cross-section		mm ²	(SP KVL2 P2); 2 x (120-150) Al/Cu					(SP KVL3 P2); 2 x (120-240) Al/Cu				
Tightening torque	M_a	Nm	(SP KVL2 P2); 11					(SP KVL3 P2); 11				
Frame clamp, Clamping cross-section		mm ²	95-300 Al/Cu					95-300 Al/Cu				
Torque	M_a	Nm	20					20				
Degree of Protection, front side device												
Front cover close	-	-	IP20					IP20				
Front cover open	-	-	IP10					IP10				
With clamp- and lateral cover	-	-	IP2XC					IP2XC				
Operating condition												
Ambient temperature *****	T_{amb}	°C	-25 ... +55					-25 ... +55				
Operating condition	-	-	Continuous operation					Continuous operation				
Mounting	-	-	vertical, horizontal					vertical, horizontal				
Altitude	-	m	≤ 2000					≤ 2000				
Pollution degree	-	-	3					3				
Overvoltage category	-	-	III					III				

* Mounting of several units in low voltage switchgear-combinations, please think about rated diversity factors acc. to DIN EN 61439.

** Reference value for replacement of devices acc. to DIN EN 61439-1 clause 10.10.4.2.

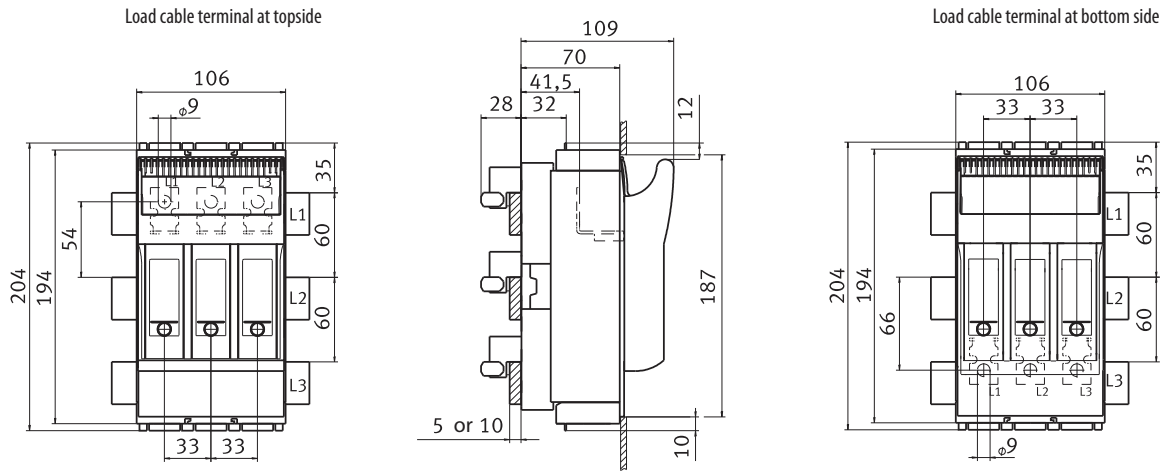
*** minimum distance to earthed, conductive parts: Lateral: 20mm/Above: 50mm

*** a) Lateral: 50mm/Above: 100mm

**** Type tested with NH fuse-links characteristic gG

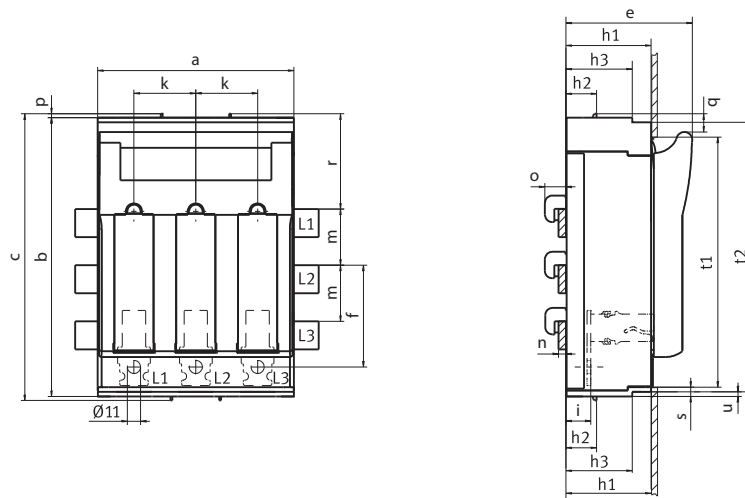
***** 35°C Normal temperature, at 55°C with reduced operating current

Technical data

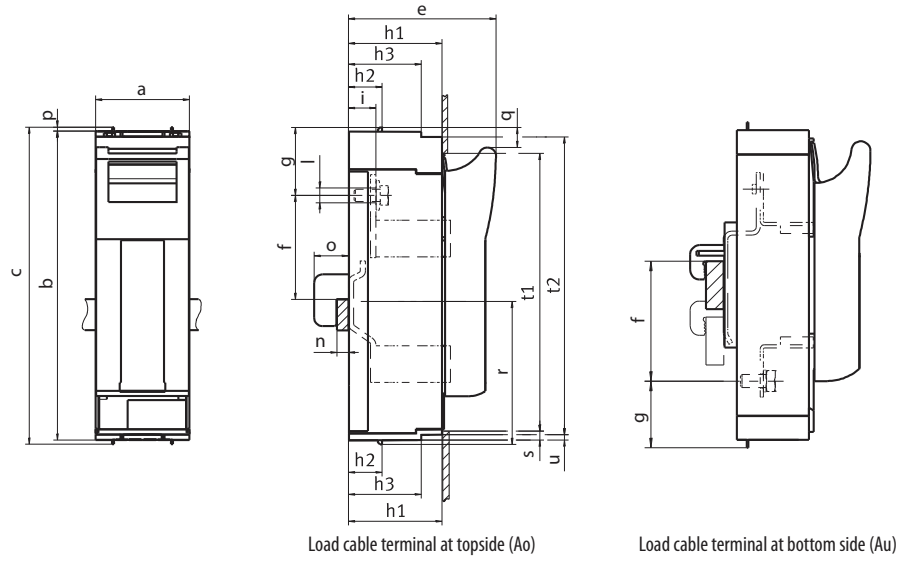


KVL-B-00 3p M8-M8
KVL-B-00 3p BC95-BC95
KVL-B/FT-00 3p M8-M8

Load cable terminal at bottom side

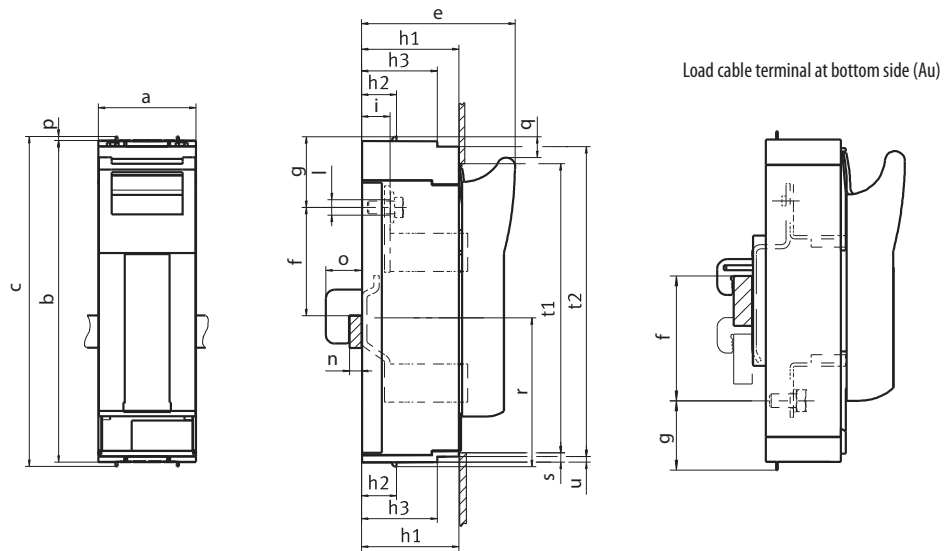


	a	b	c	e	f	h1	h2	h3	i	k	l	m	n	o	p	q	r	s	t1	t2	u
KVL-B-1 3p M10-M10	184	298	306	117	98	70	32	-	25,5	58	Ø10,5	60	4-10	25	4	19	102	5	272	-	-
KVL-B/FT-1 3p M10-M10 TOP																					
KVL-B/FT-1 3p M10-M10 BOTTOM																					
KVL-B-2 3p M10-M10	210	298	306	135	109	90	32	70	26,5	66	Ø14	60	4-10	25	4	19	102	10	268	289	5
KVL-B/FT-2 3p M10-M10 TOP																					
KVL-B/FT-2 3p M10-M10 BOTTOM																					
KVL-B-3 3p M10-M10	250	298	306	143	109	90	32	70	26,5	82	Ø14	60	4-10	25	4	19	102	10	268	289	5



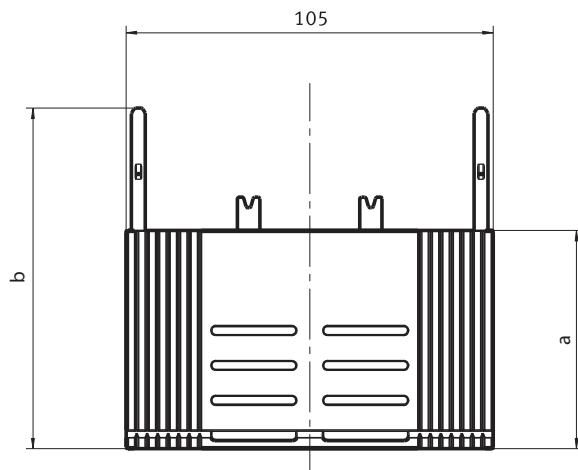
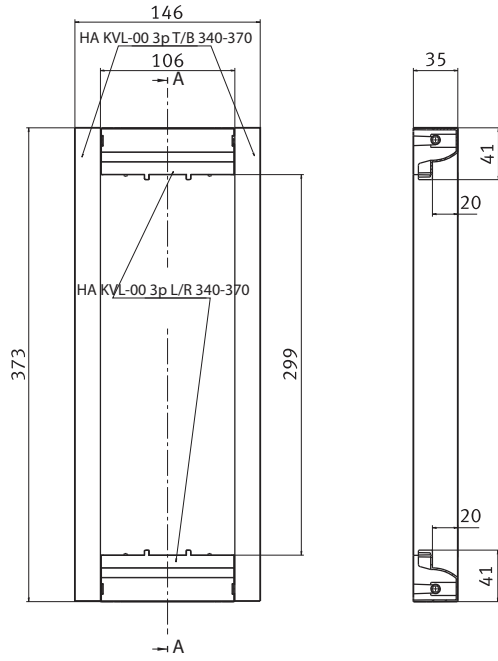
	a	b	c	e	f-Ao	f-Au	g-Ao	g-Au	h1	h2	i	l	n	o	p	q	r	s	t1
KVL-B/SF-00 1p M8-M8	50	195	204	92	45,50,55 ... 75	75,70,65 ... 45	42	42	53	15	24,5	∅9	4-10	22	4,5	12	102	5	187
KVL-B/CF-00 1p M8-M8																			

Load cable terminal at topside (Ao)

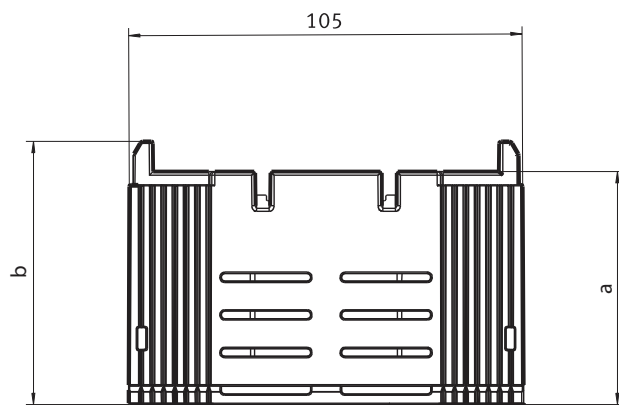


	a	b	c	e	f-Ao	f-Au	g-Ao	g-Au	h1	h2	h3	i	l	n	o	p	q	r	s	t1	t2	u
KVL-B/SF-1 1p M10-M10	69	298	306	117	93	93	76	44	70	32	-	25,5	∅10,5	5-10	33	4	19	138	5	272	-	-
KVL-B/SF-3 1p M10-M10	91	298	306	143	100	104	66	36	90	32	70	26,5	∅14	5-10	33	4	19	138	10	268	289	5

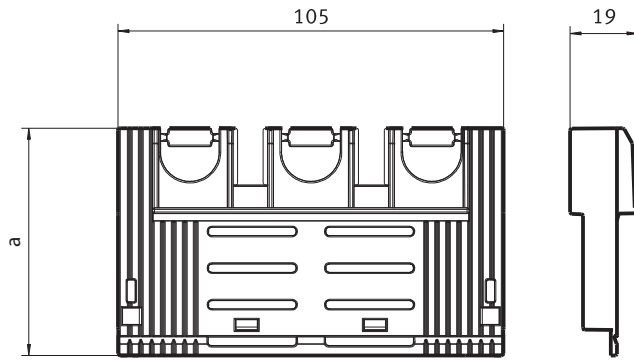
Technical data



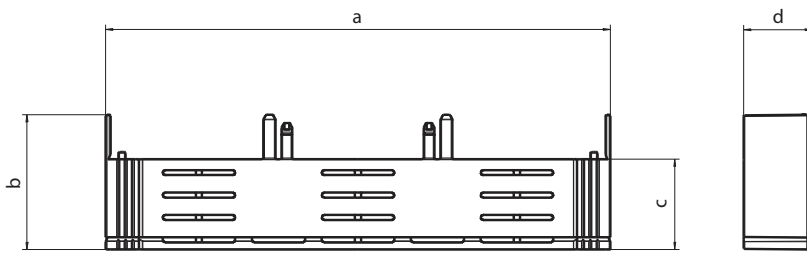
	a	b
PRSEXT KVL-00 3p/34-39	62,5	97,5
PRSEXT KVL-00 3p/32	55,5	90,5



	a	b
UGS KVL-00 3p/34-39	62	70
UGS KVL-00 3p/32	55	63



	a
UGS KVL-00 3p/R95T/34-39	62
UGS KVL-00 3p/R95T/32	55



	a	b	c	d
UGS KVL-1 3p/32	184	51,5	30,5	16
UGS KVL-1 3p/34-39	184	58,5	37,5	16
UGS KVL-2 3p/32	210	49	30,5	28,5
UGS KVL-2 3p/39-34	210	56	37,5	28,5
UGS KVL-3 3p/32	250	49	30,5	28,5
UGS KVL-3 3p/39-34	250	56	37,5	28,5

Technical data - Feeding clamps

Technical Characteristics			
Max. electrical load			AC690V/DC1000V-250A
Heat deflection temp.			125°C UL94: V0
Comparative tracking index			600
Cross sections			
Conductor - Max. Diameter Ø14 mm			
single wire		mm ²	25 - 95
multi wire		mm ²	25 - 95
fine wire (with end sleeve)		mm ²	25 - 70
Torque	Ma	Nm	13
Degree of protection			IP20
Regulations			EN 60998-1:2004; EN 60998-2:2004; EN 60999-1:2000; EN 60999-2:2003

Important

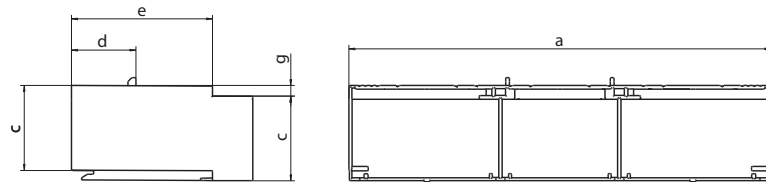
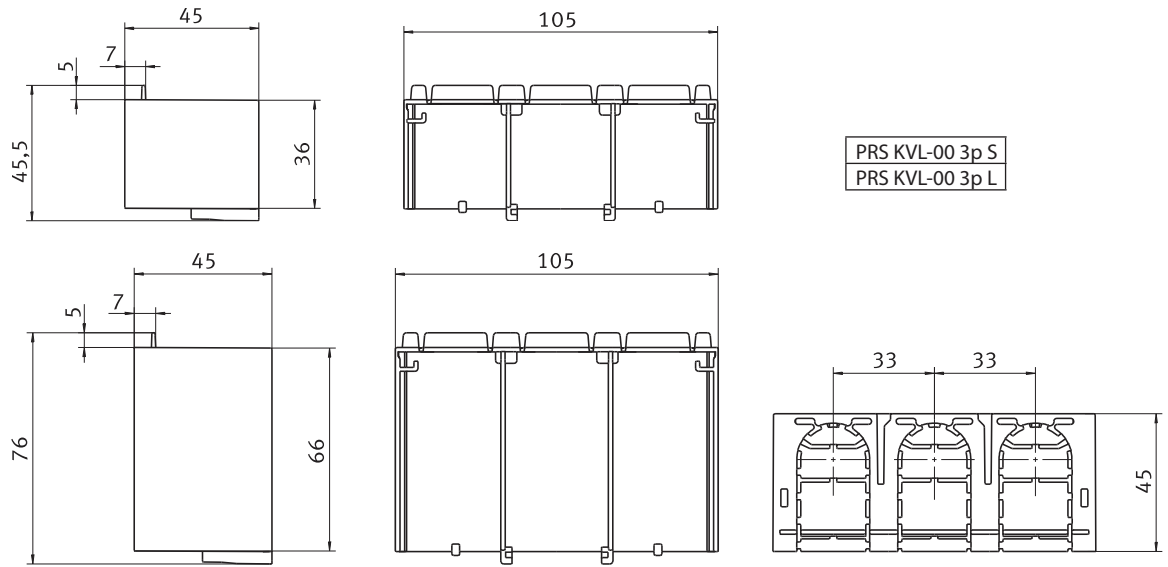
This Terminal is suitable for Al and Cu conductors. Please pay attention to the common handling guidelines when connecting the Aluminium conductors. Clean and brush the contact surfaces and lubricate them with an appropriate grease.



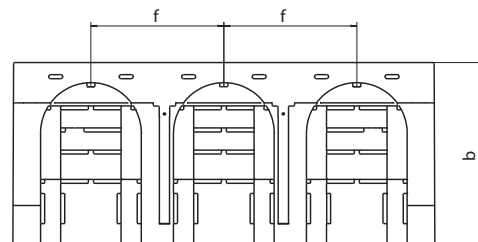
Technical data - Phase busbars

Technical Characteristics			
Rated cross section of the conductor		mm ²	50
Impulse voltage strenght		kV	≥8,5
Min. air distance		mm	>8
Min. creeping distance		mm	>9
Max. operating voltage		V	AC690
Protection class			IP20
Short circuit rating			IPK=25kA/0,1s, Surge energy capacity IPK, ICC 100kA - NH3 355A gL 500V
Dielectric strenght		kV/mm	≥32
Capacity at 35°C ambient temperature depending of feeding point cross section		mm ²	50
Busbar lenght		mm	Max. 300
Feeding at beginning/ending			
Max. current Is /Phase		A	250
Connection cross current		mm ²	95
Other feedings			
Max. feeding current Ie /Phase		A	250
Connection cross current		mm ²	95
Overvoltage category / degree of pollution			III / 2
Regulations			IEC 60947-1:2007

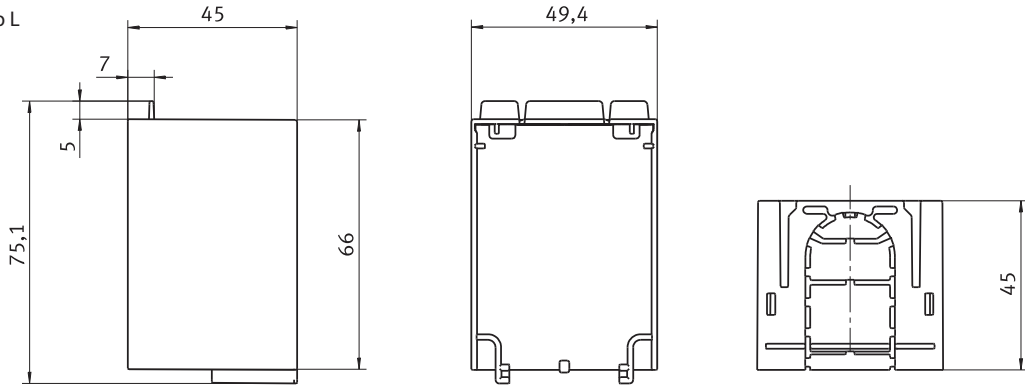
Technical data



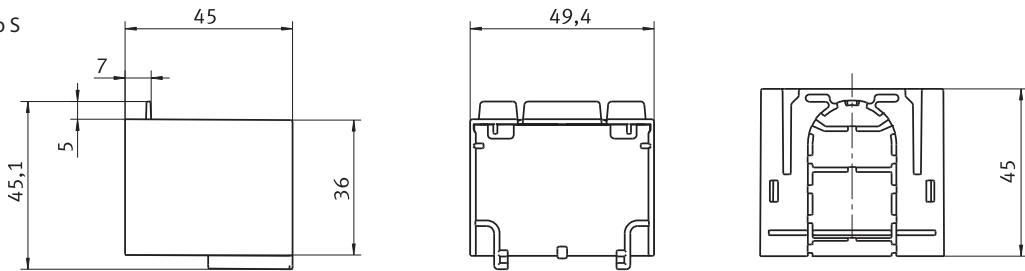
	a	b	c	d	e	f	g
PRS KVL-1 3p	184	70	42	32	-	58	-
PRS KVL-2 3p	210	90	42	32	70	66	5
PRS KVL-3 3p	250	90	42	32	70	82	5



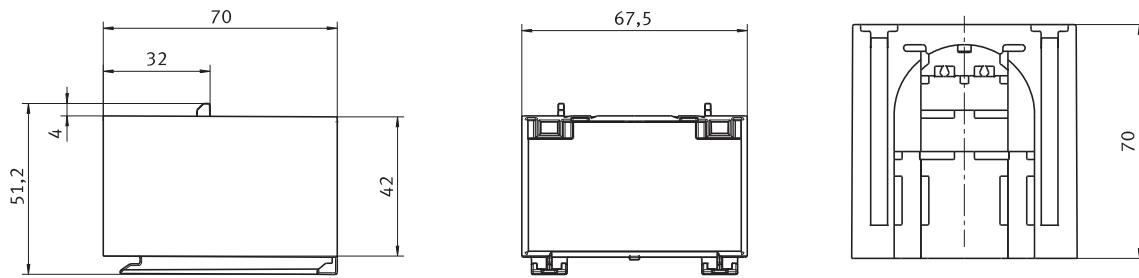
PRS KVL-00 1p L



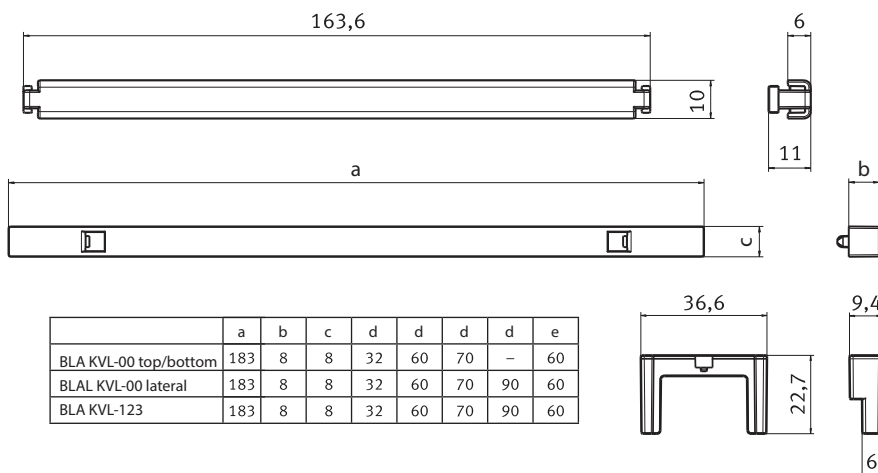
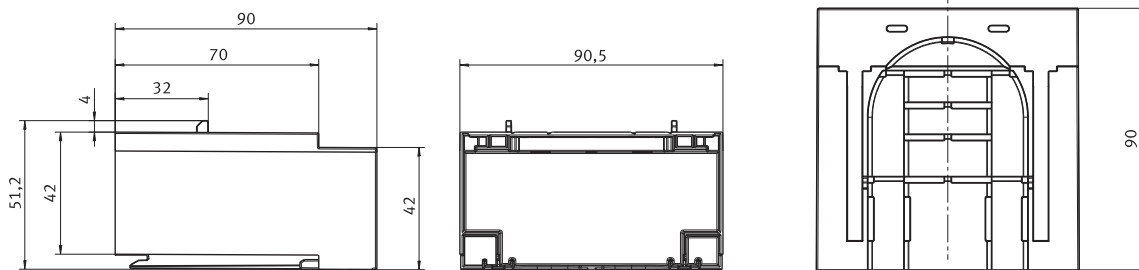
PRS KVL-00 1p S



PRS KVL-1 1p

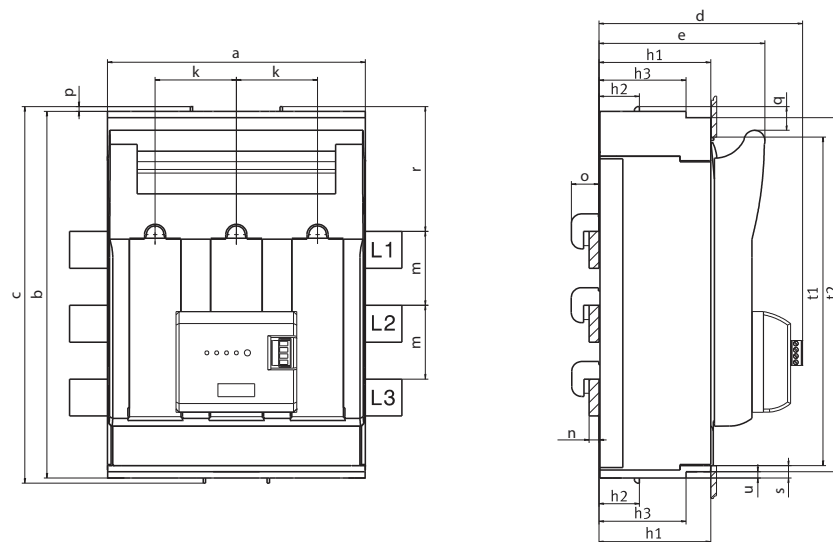


PRS KVL-3 1p



Technical data - Electronic fuse monitoring unit EFMU KVL			
Technical Characteristics			
Rated operational voltage	U_c	V	AC400-500 (+/-10%)
Power supply			Self-powered
Input power		VA	1,5
Overvoltage category			230/400 V : III , (4kV) 500 V : II , (4kV)
Rated frequency	f	Hz	50-60
Input resistance			>1k Ohm/V
Output channels			
Relay output			1NC/1NO
Maximum voltage		V	AC250/DC24
Maximum switching current		A	1
General data			
Operation indicator			1 LED green
Alarm indicator			3 LED (F1, F2, F3) red
Functional test			Test key for relay + LEDs
EMC			IEC 61000-4-5/IEC 61000-4-4
Degree of protection			IP 3X
Operating conditions			
Ambient temperature	T_{amb}	$^{\circ}C$	-5 ... +55

No single detection of parallel connected fuses!



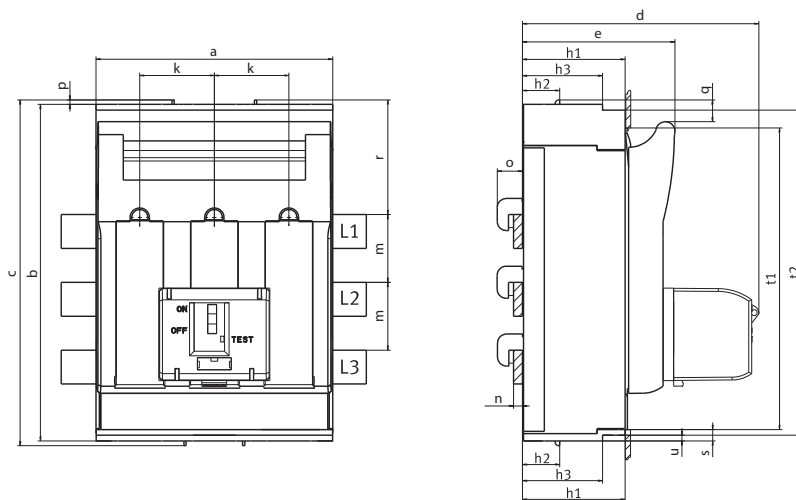
	a	b	c	d	e	h1	h2	h3	k	m	n	o	p	q	r	s	t1	t2	u
KVL-B-1 3p M10-M10 + EFMU KVL-1 3p																			
KVL-B/FT-1 3p M10-M10 TOP + EFMU KVL-1 3p	184	298	306	148	117	70	32	-	58	60	4-10	25	4	19	102	5	272	-	-
KVL-B/FT-1 3p M10-M10 BOTTOM + EFMU KVL-1 3p																			
KVL-B-2 3p M10-M10 + EFMU KVL-2 3p																			
KVL-B/FT-2 3p M10-M10 TOP + EFMU KVL-2 3p	210	298	306	165	135	90	32	70	66	60	4-10	25	4	19	102	10	268	289	5
KVL-B/FT-2 3p M10-M10 BOTTOM + EFMU KVL-2 3p																			
KVL-B-3 3p M10-M10 + EFMU KVL-3 3p	250	298	306	173	143	90	32	70	82	60	4-10	25	4	19	102	10	268	289	5

Technical data - Electromechanical fuse monitoring unit MPFMU KVL			
Technical Characteristics			
Rated operational voltage	U_e	V	AC24...690 DC24...250
Rated short-circuit breaking capacity	I_{cn}	kA	100
Overvoltage category			230/400V : III (4kV) 500V : II (4kV)
Output channels			
Relay output			1NC/1NO
Maximum voltage		V	AC230/DC24
Maximum switching current		A	2,5A...AC-12 / 1A...DC-13

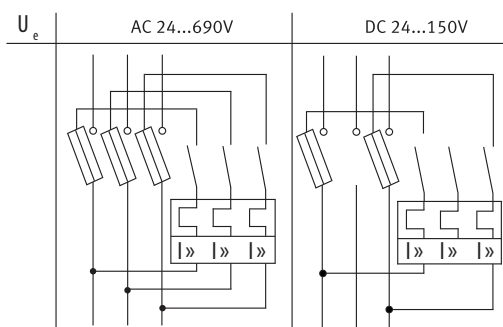
No single detection of parallel connected fuses!

Safety notes

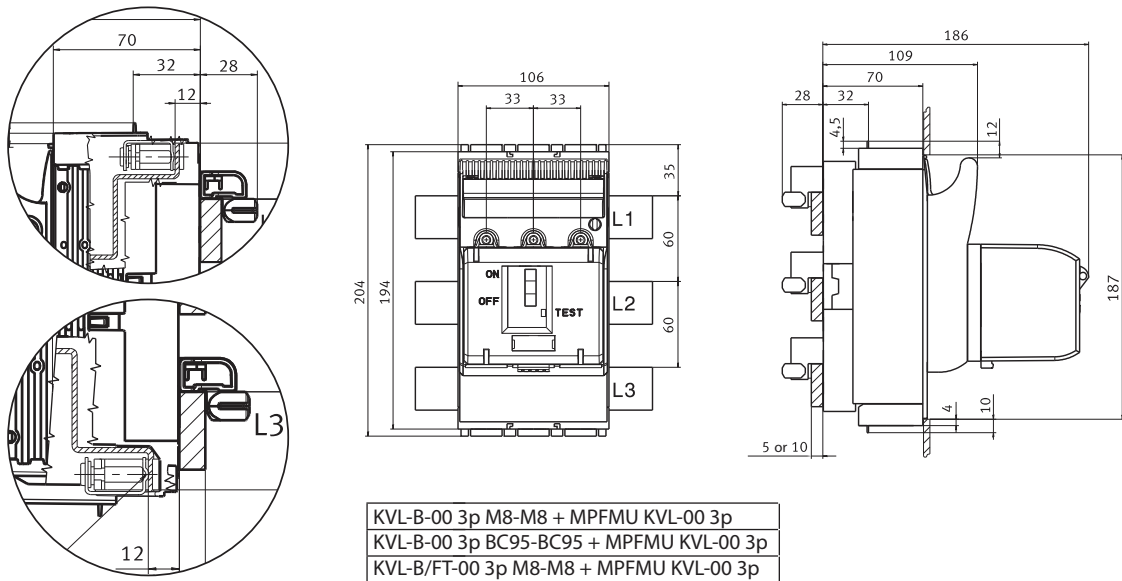
May not be used for safety monitoring in feeders with power control units where, in the event of a fault, it is possible for a DC feedback of >300V (or >600V where 3 current paths are connected in parallel) to occur. If equipment has to be disconnected on the load side of the fuses to be monitored, make sure that no parasitic voltages can arise in the circuit-breaker that is connected in parallel with the fuse-monitoring device.



	a	b	c	d	e	h1	h2	h3	k	m	n	o	p	q	r	s
KVL-B-1 3p M10-M10 + MPFMU KVL-1 3p																
KVL-B/FT-1 3p M10-M10 TOP + MPFMU KVL-1 3p	184	298	306	192	117	70	32	-	58	60	4-10	25	4	19	102	5
KVL-B/FT-1 3p M10-M10 BOTTOM + MPFMU KVL-1 3p																
KVL-B-2 3p M10-M10 + MPFMU KVL-2 3p																
KVL-B/FT-2 3p M10-M10 TOP + MPFMU KVL-2 3p	210	298	306	209	135	90	32	70	66	60	4-10	25	4	19	102	10
KVL-B/FT-2 3p M10-M10 BOTTOM + MPFMU KVL-2 3p																
KVL-B-3 3p M10-M10 + MPFMU KVL-3 3p	250	298	306	217	143	90	32	70	82	60	4-10	25	4	19	102	10



Technical data

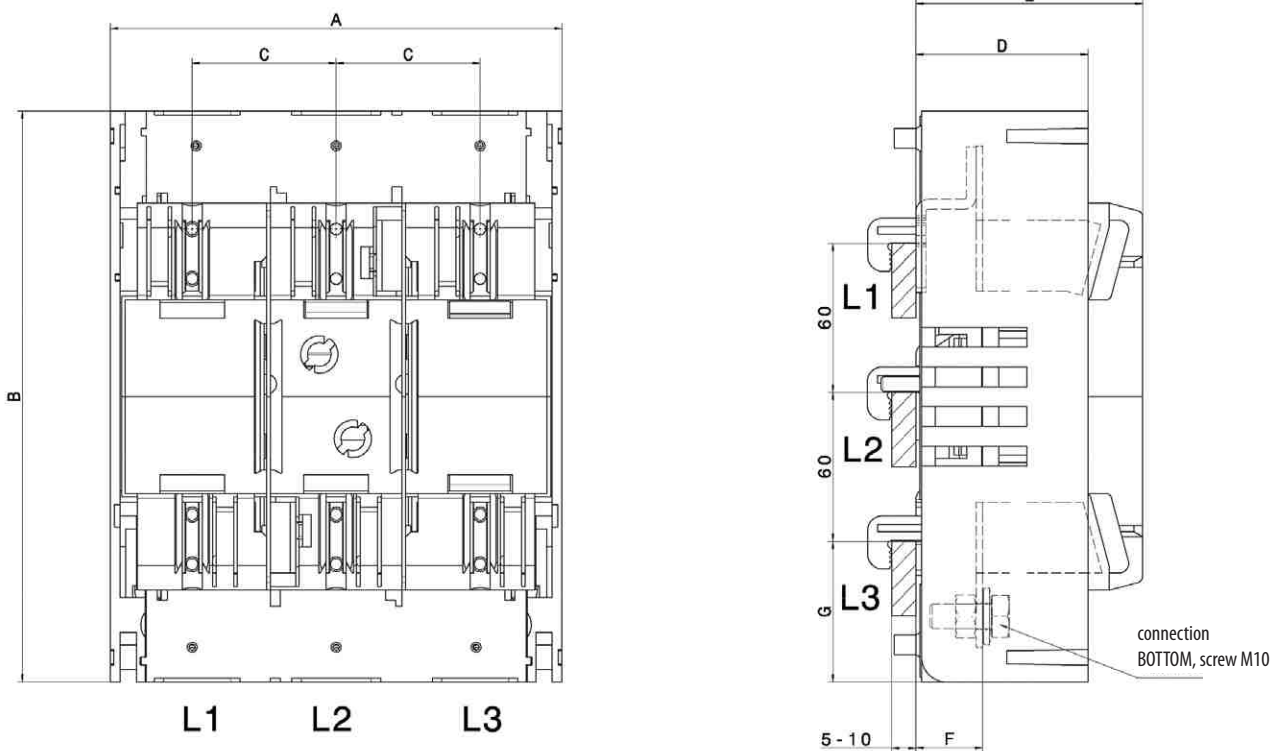
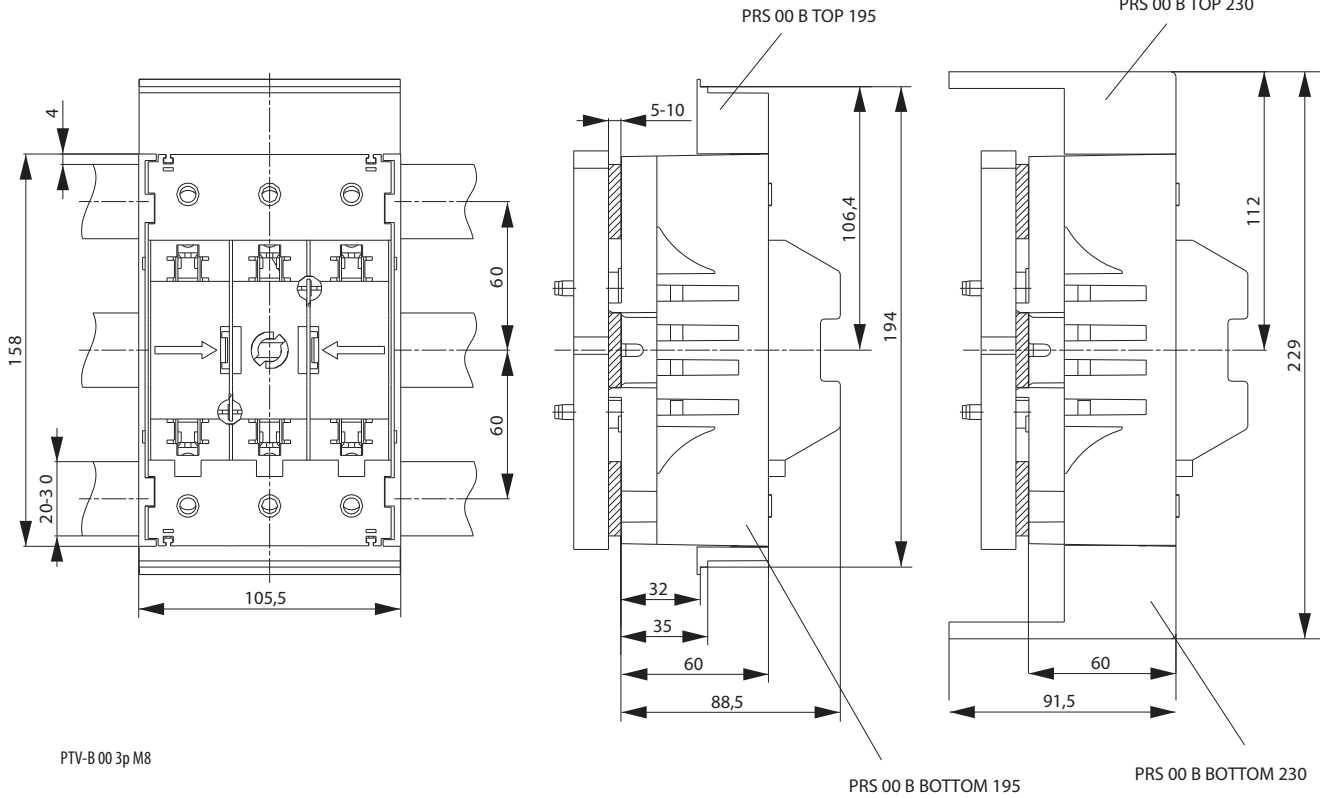


KVL-B-00 3p M8-M8 + MPF MU KVL-00 3p
 KVL-B-00 3p BC95-BC95 + MPF MU KVL-00 3p
 KVL-B/FT-00 3p M8-M8 + MPF MU KVL-00 3p

Technical data (in accordance with EN 60269-1, EN 60269-2-2)

Technical Specifications				PTV-B 00 3p	PTV-B 1 3p	PTV-B 2 3p	
Electrical characteristics							
Rated operating voltage	Ue	V	690 AC	690 AC	690 AC	690 AC	
Rated operating current	Ie	A	160	250	400	400	
Conv. thermal current with fuse links	Ith	A	160	250	400	400	
Conv. thermal current with solid links	Ith	A	210	325	520	520	
Rated frequency	–	Hz	40-60	40-60	40-60	40-60	
Fuse links							
Size in according to DIN 43620	–	–	00	1	2	2	
Max. rated current (gl/gG)	In	A	160	250	400	400	
Max permissible power dissipation (without fuse)	Pv	W	12	23	45	45	
Busbar spacing (only 3-pole)	–	mm	40/50/60	60	60	60	
Cable connection							
Flat terminal	Bolt diameter	–	M8	M10	M10	M10	
	Cable lug (DIN 46235)	–	mm ² 1 x 10-95 (max. 25mm width)	25-150	25-240	25-240	
	Flat bar	–	mm 20 x 10	30 x 10	30x10	30x10	
	Tightening torque	Ma	Nm 12-15	30-35	30-35	30-35	
Clamp	Clamping range	–	mm ² 500	1,5-70	S1	S2	25-240
	Tightening torque	Ma	Nm 26	26	95	23	23
Clamp	Clamping range	–	mm ² P00-70	10-70	P1	P2	120-240
	Tightening torque	Ma	Nm 26	26	45	11	11
Clamp	Clamping range	–	mm ² F57	1,5-70	P12	P22	1,5-70
	Tightening torque	Ma	Nm 26	26	40	2x120-150	2x120-150
Clamp	Clamping range	–	mm ² –	–	K2G	K2G	35-185
	Tightening torque	Ma	Nm –	–	40	40	40
Degree of protection - Frontside - Operating state				IP00			
Operating conditions							
Ambient temperature 1)	Tu	°C	-25 ... +55				
Delovno stanje	–	–	Uninterrupted duty				
Vgradni položaj	–	–	Vertical, horizontal				
Altitude	–	m	< 2000				
Pollution degree	–	–	3				
Overvoltage categorie	–	–	III				

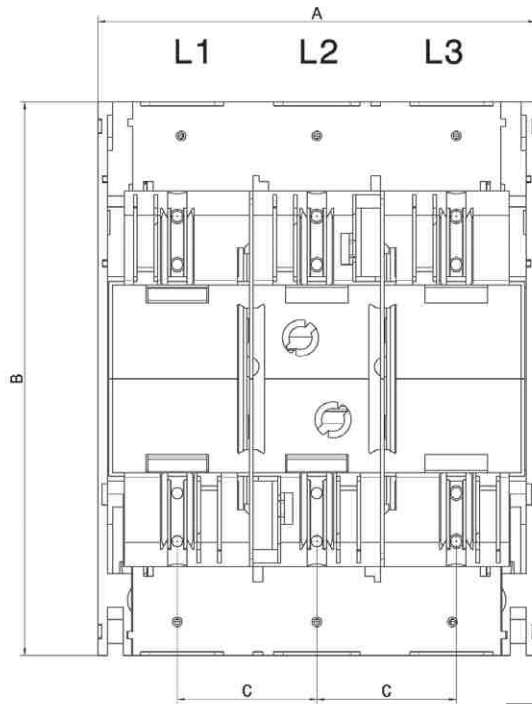
1) 35°C Normal temperature, 55°C with reduced current



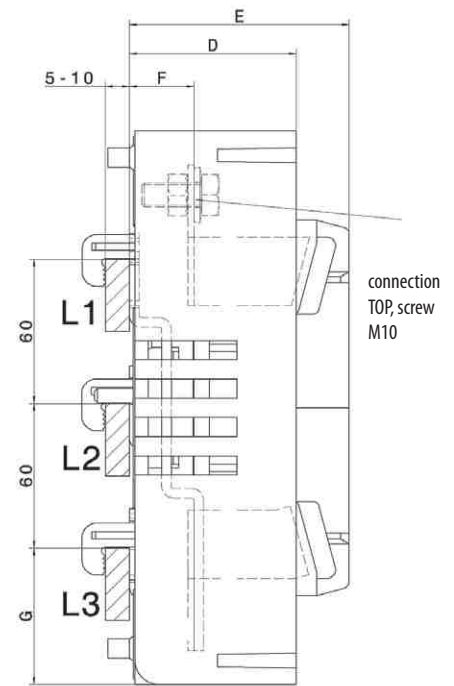
PTV-B 1 3p M10 BOTTOM, PTV-B 2 3p M10 BOTTOM

	A	B	C	D	E	F	G
PTV-B 1 3p M10 BOTTOM	184	230	58	69	92	27	57
PTV-B 2 3p M10 BOTTOM	210	256	66	83	101	27	68

Technical data



PTV-B 1 3p M10 TOP, PTV-B 2 3p M10 TOP



	A	B	C	D	E	F	G
PTV-B 1 3p M10 TOP	184	230	58	69	92	27	57
PTV-B 2 3p M10 TOP	210	256	66	83	101	27	68

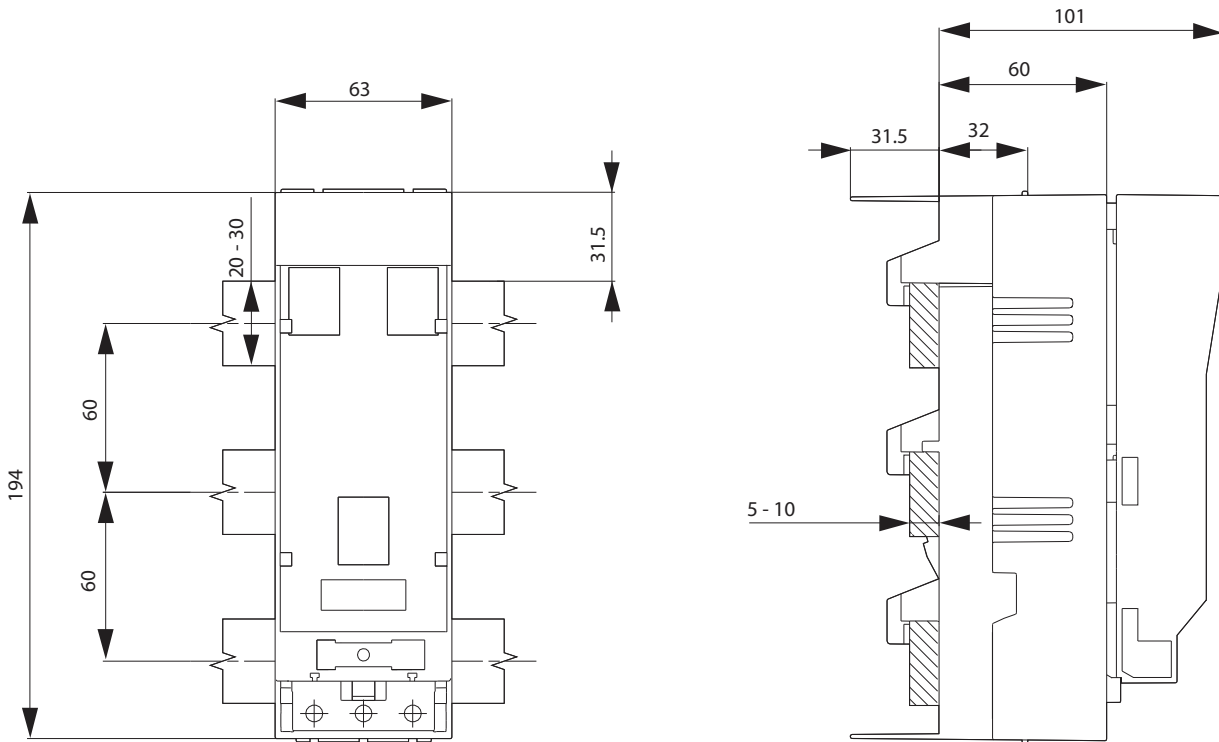
Technical data (in accordance with EN 60269-1, EN 60269-2-2)

Technical Specifications				HVL-B 000 3p F57 Slim	
Electrical characteristics					
For NH fuse-links acc. to DIN VDE 0636-2	Size	6000			
Rated operational voltage	Ue	V	500 AC, 220 DC		
Rated operational current 1)	Ie	A	125		
Conv. free air thermal current with fuse-links 1)	Ith	A	125		
Conv. free air thermal current with solid-links 1)	Ith	A	160		
Rated frequency	–	Hz	40-60		
Rated insulation voltage	Ui	V	500 AC		
Total power loss at Ith (without fuse-links)	Pv	W	18		
Rated impulse withstand voltage	Uimp	kV	8		
Utilization category	–	–	AC-22B (500V/125A) DC-22B (220V/100A)		
Rated conditional short-circuit current 2)	–	kA	50		
Rated short-time withstand current	Icw	kA	–		
Max. permis. power loss per fuse-link	Pa	W	8		
Cable terminal					
Clamp	Clamping cross-section	–	mm ²	F50	○: 1,5-50 Cu / □: 6 x 9 x 0,8
	Tightening torque	–	Nm		26
Degree of protection Front side	Operating condition				IP20
	Switching element open				IP10
Operating conditions					
Ambient temperature 3)	T	°C	-25 ... +55		
Delovno stanje	–	–	Uninterrupted duty		
Actuation	–	–	Dependent manual operation		
Vgradni položaj	–	–	Vertical, horizontal		
Altitude	–	m	< 2000		
Verschmutzungsgrad/Pollution degree	–	–	3		
Überspannungskategorie/Overvoltage category	–	–	III		


1) In case of mounting of several units in low voltage switchgear-combinations, please consider rated diversity factors acc. to EN 61439-1

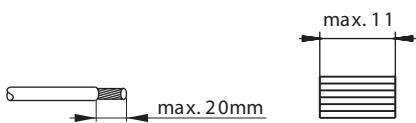
2) Type tested with NH-fuse-links characteristic gG

3) 35°C Normal temperature, at 55°C with reduced operating current



HVL-B 000 3p F57-5

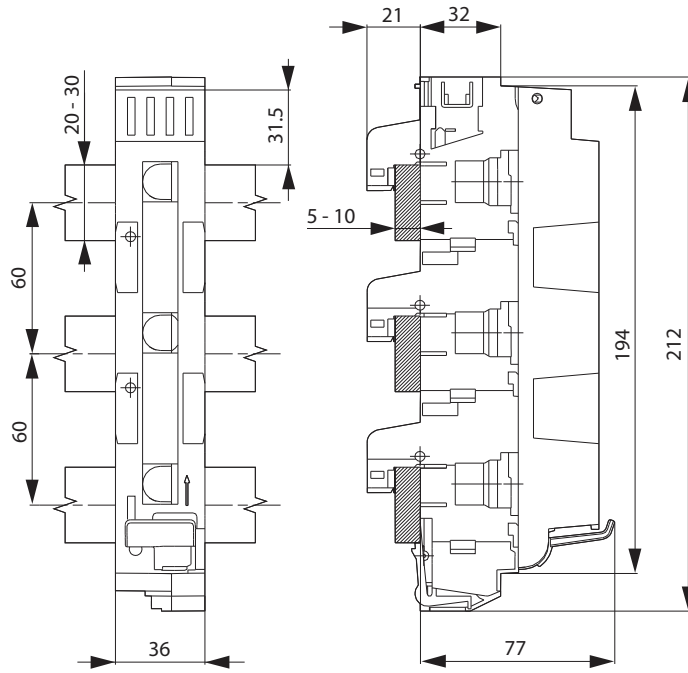
Terminal type	Type	Tightening torque	Clamping range	Size flat strip
 Screw terminal M8	F-M8x16	12 - 15 Nm	Cable lugs acc. to DIN 46234 and 46235	
 Clip terminal	S00	2,6 Nm	1,5 - 70 mm ² Cu	Busbars max. 9x8 flexible flat strip max. 6x9x0,8
 Prism clamp	P0070	2,6 Nm	10 - 70 mm ² Al/Cu	
 Elevator terminal	F57	2,6 Nm	1,5 - 70 mm ² Cu	



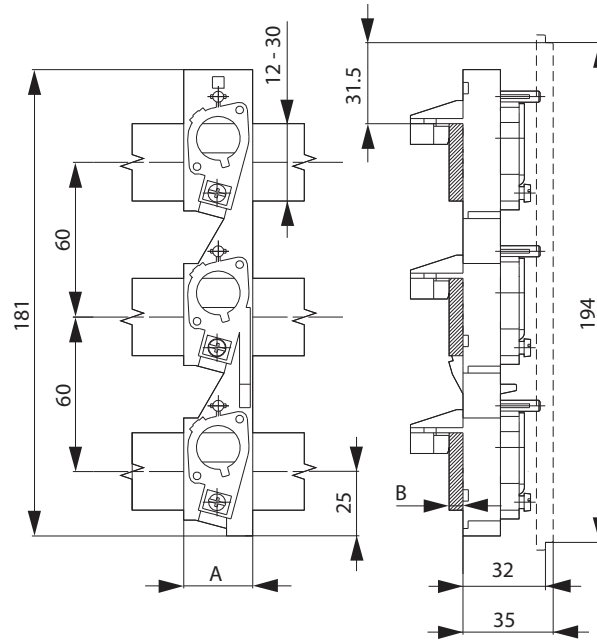
Technical data

Technical data (in accordance with IEC/EN 60947-3, VDE 0636 part 301)			
Technical Specifications			DVL-60/183
Electrical characteristics			
Rated operating voltage	U_e	V	400 AC
Rated operating current	I_e	A	63
Conv. Thermal current with fuse links	I_{th}	A	63
Rated frequency	–	Hz	40-60
Rated insulating voltage	U_i	V	400 AC
Rated conditional short-circuit current	–	kA _{eff}	50
Utilisation category	–	–	AC-23B
Rated making capacity	–	A	630
Rated breaking capacity	–	A	630
Rated impulse voltage	U_{imp}	kV	8
Electrical lifetime (switching cycles)	–	–	300
Total power dissipation (without fuse)	P_v	W	8
Fuselinks			
Size in according to DIN 49522, 49515	–	–	D01, D02
Max. rated current (gl/gG)	I_n	A	63
Max. permissible power dissipation (without fuse)	P_v	W	55
Mechanical parameters			
Mechanical lifetime (switching cycles)	–	–	1700
Busbar spacing (only 3-pole)	–	mm	60
Busbar thickness	–	mm	5 & 10
Busbar width	–	mm	20 & 30
Cable terminal			
Terminal, clamping range"	–	mm ²	0,75-25
Degree of protection			
Frontside, operating state	–	–	IP20
Front cover open	–	–	IP10
Operating conditions			
Ambient temperature ¹⁾	T_u	°C	-25 ... 55
Bemessungsbetriebsart	–	–	Uninterrupted duty
Einbaulage	–	–	Vertical, horizontal
Altitude	–	m	< 2000
Pollution degree	–	–	3
Overvoltage categorie	–	–	III

1) 35°C Normal temperature, 55°C with reduced current



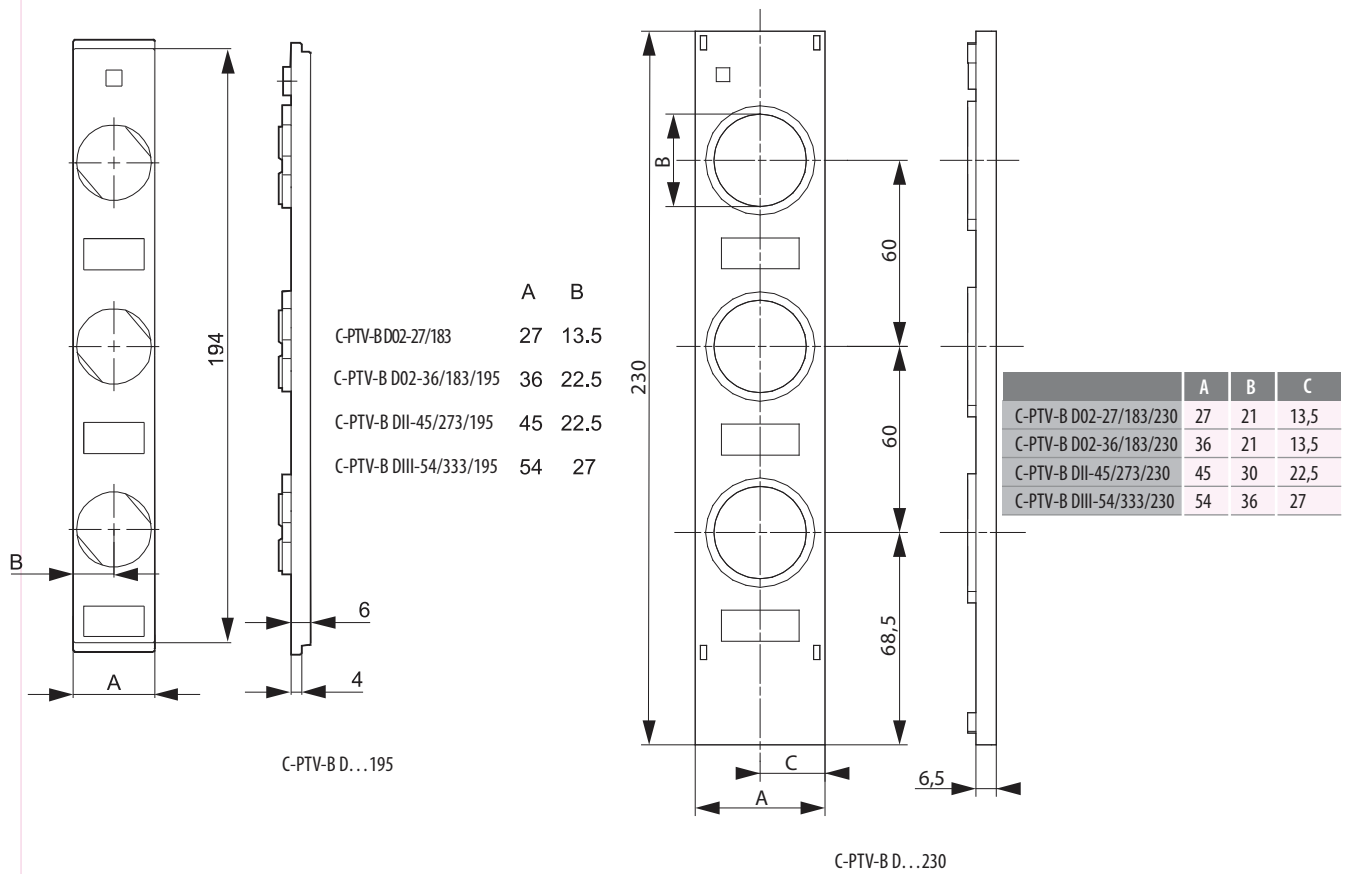
DVL-60/183



	A	B
PTV-B D02-27/183-5	27	5
PTV-B DII-45/273-5	45	5
PTV-B DIII-54/333-5	54	5

PTV-BD

Technical data

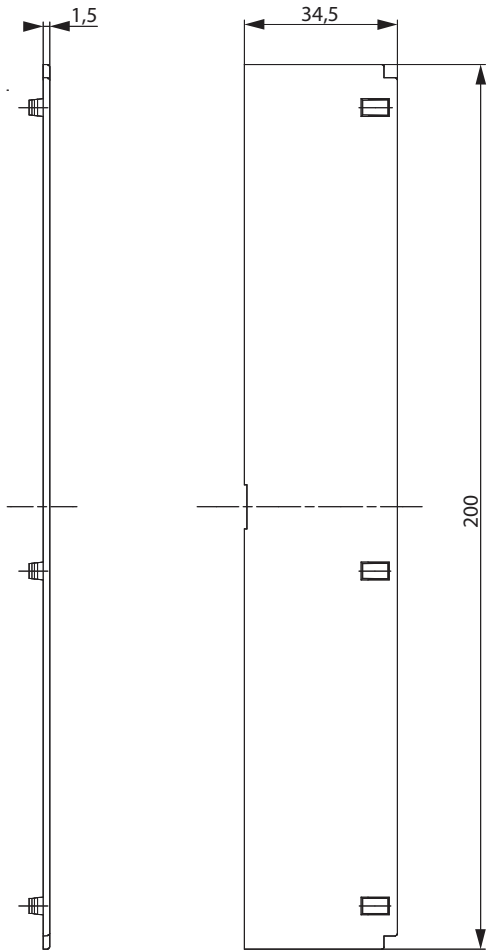
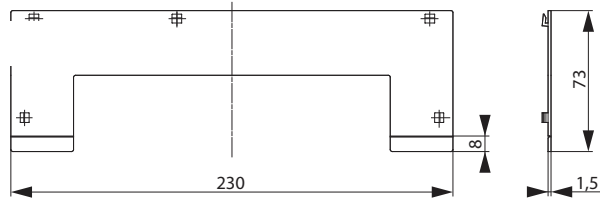


Technical data of strip-type D-fuse bases (in according to IEC/EN 60269-1, VDE 0636 part 301)

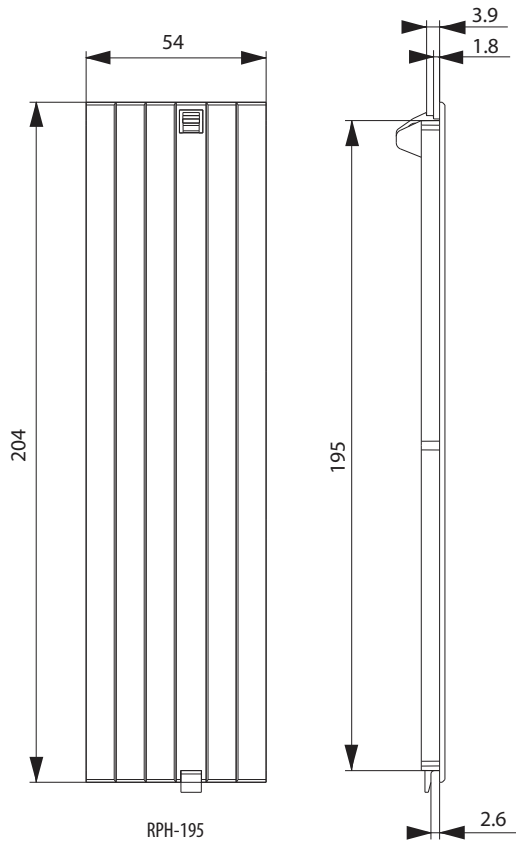
Technical Specifications			PTV-B D02	PTV-B DII	PTV-B DIII
Electrical characteristics					
Rated operating voltage	U_e	V	AC400	AC500	AC690
Rated operating current	I_e	A	63	25	63
Thermal current with fuse links	I_{th}	A	63	25	63
Rated frequency	–	Hz	40-60	40-60	40-60
Rated insulating voltage	U_i	V	AC400	AC500	AC690
Rated conditional short-circuit current	–	kAe	50	50	50
Fuselinks					
Size in according to DIN 49522, 49515	–	–	D02	DII	DIII
Max. rated current (gl/gG)	I_n	A	63	25	63
Max. permissible power dissipation (without fuse)	P_y	W	5,5	4	7
Mechanical parameters					
Busbar spacing (only 3-pole)	–	mm	60	60	60
Busbar thickness	–	mm	5 & 10	5 & 10	5 & 10
Busbar width	–	mm	12, 20, 30	12, 20, 30	12, 20, 30
Cable terminal					
Terminal, clamping range"	–	mm ²	0,75-25	0,75-25	0,75-25
Degree of protection					
Frontside, operating state	–	–	IP20	IP20	IP20
Operating conditions					
Umgebungstemperatur 1)/Ambient temperature 1)	T_u	°C	-25 ... +55		
Bemessungsbetriebsart/Delovno stanje	–	–	Uninterrupted duty		
Einbaulage/Vgradni položaj	–	–	Vertical, horizontal		
Höhenlage/Altitude	–	m	< 2000		
Verschmutzungsgrad/Pollution degree	–	–	3		
Überspannungskategorie/Overvoltage categorie	–	–	III		

1) 35°C Normal temperature, 55°C with reduced current

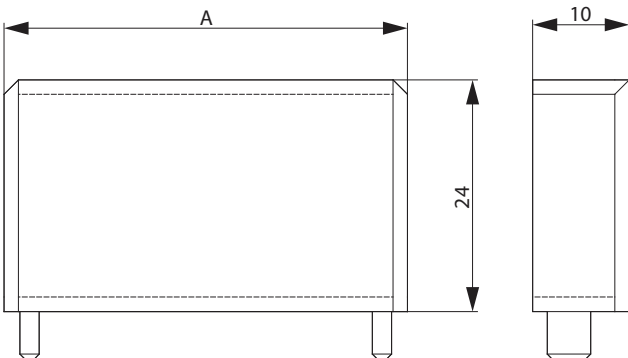
CL-PTV-B D/230



CL-PTV-B D/195

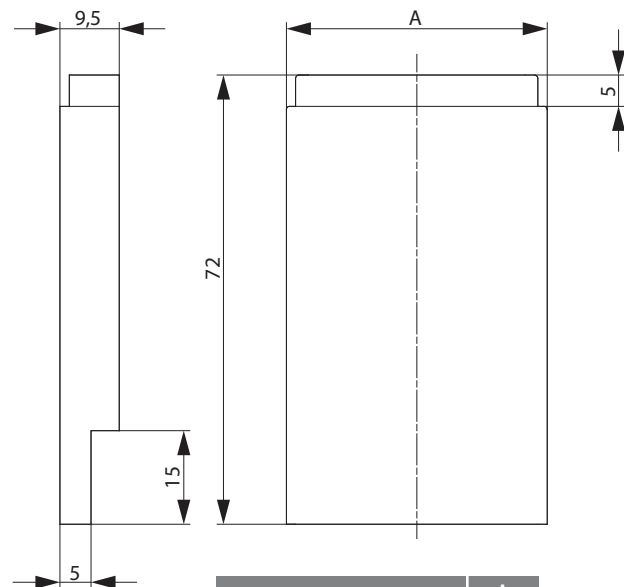


RPH-195



	A
RTP-D02-27/183	27
RTP-D02-36/183	36
RTP-D11-45/273	45
RTP-D11-54/333	54

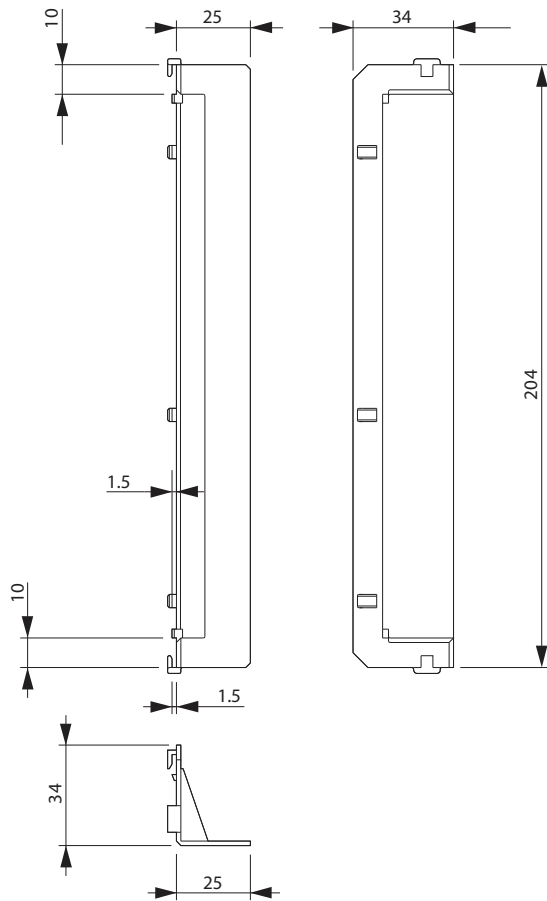
RTP-RL/



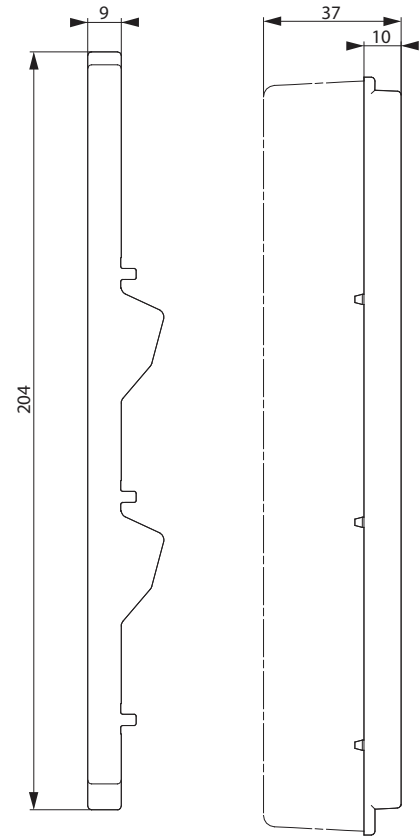
	A
RTP-D02-27/183	27
RTP-D02-36/183	36
RTP-D11-45/273	45
RTP-D11-54/333	54

PRS-D ... /183

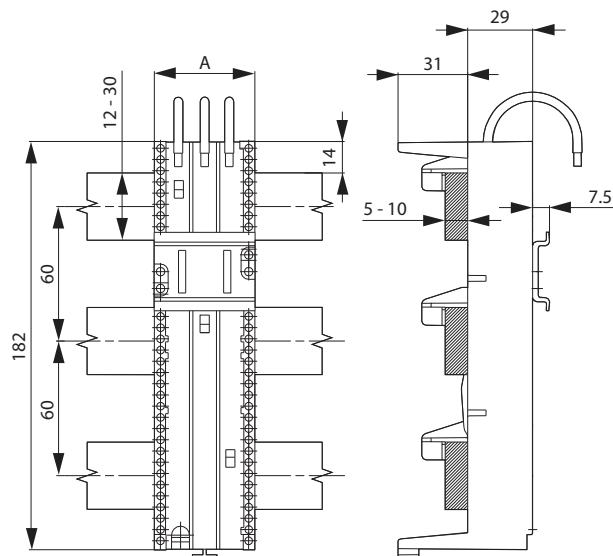
Technical data



RTP-RL/230



PRS-DVL



	A
GA-60/25/45	45
GA-60/32/108	108
GA-60/32/54	54
GA-60/32/63	63
GA-60/32/72	72
GA-60/32/81	81

	A
GA-60/63/108	108
GA-60/63/54	54
GA-60/63/63	63
GA-60/63/72	72
GA-60/63/81	81

DA-60/25/..., DA-60/32/..., DA-60/63/...

