

PK Fuse Bases with Ceramic Insulation

Features and Advantages

PK fuse bases with ceramic insulation for NH fuses are suitable for surface mounting on mounting plates and can be used in combination with NH fuse-links according to DIN VDE 0636-2/IEC 60269-2 as well as solid links.

They offer a compact and simple solution for application of fuses as protective elements in low voltage distribution boards and are characterized by silver plated contacts, in-house developed technical ceramic materials with high thermal resistance and a broad range of connections.

PK fuse bases are available in sizes 00 to 3, in 1-pole and 3-pole version. The range comes with accessories including protection barriers, IP20 finger safe protection kits and neutral links, which, along with the possibility of attaching additional poles, provides an optimal solution for every application.

Rated for fuse-links with breaking capacity up to 200 kA.

Ratings:
Rated voltage: 690 V a.c.
Rated currents: 160 A - 630 A

Standards:
IEC 60269-2
DIN VDE 0636-2
DIN 43620

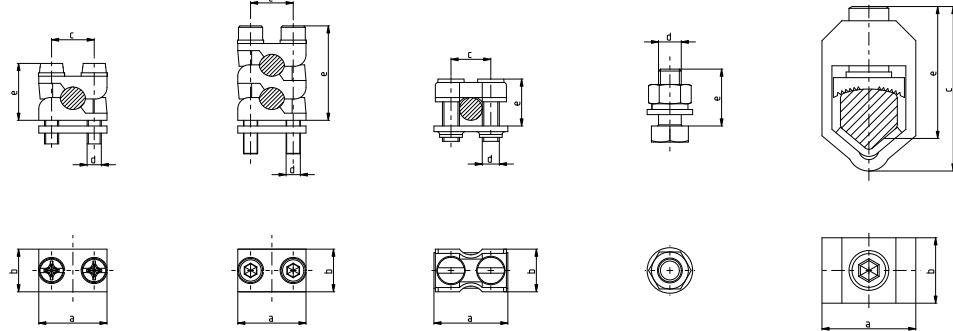
As one of the leading producers of technical ceramics for fuse applications we have developed a range of extremely reliable thermosetting materials with high thermal resistance, dimensional stability and superior resistance to tracking.

Sturdy and compact IP 20 protection kits.

Galvanically silver plated contacts, providing ideal contact characteristics.

We offer one- and two-cable terminals with a broad range of available connections:

- flat terminals
- clip terminals
- prism clamps
- V shaped clamps



*Terminal covers and fuse covers sold separately

1-pole fuse base size 00

Type	I _n [A]	Code No.	Weight [g]	Packaging [pcs]
PK 00 M8-M8 1p S	160	004123000	173	3
PK 00 2M6-2M6 1p S	160	004123001	173	3
PK 00 M8-2M6 1p S	160	004123002	173	3
PK 00 M8-P00 1p S	160	004123003	190	3
PK 00 M8-2P00 1p S	160	004123004	205	3
PK 00 P00-P00 1p S	160	004123005	205	3
PK 00 P00-2P00 1p S	160	004123006	219	3
PK 00 2P00-2P00 1p S	160	004123007	233	3

PKI 00 M8-M8 1p S	160	004123011	213	3
PKI 00 2M6-2M6 1p S	160	004123012	213	3
PKI 00 M8-2M6 1p S	160	004123013	213	3
PKI 00 M8-P00 1p S	160	004123014	230	3
PKI 00 M8-2P00 1p S	160	004123015	245	3
PKI 00 P00-P00 1p S	160	004123016	245	3
PKI 00 P00-2P00 1p S	160	004123017	259	3
PKI 00 2P00-2P00 1p S	160	004123018	273	3

PKIP 00 M8-M8 1p S	160	004123021	223	3
PKIP 00 2M6-2M6 1p S	160	004123022	223	3
PKIP 00 M8-2M6 1p S	160	004123023	223	3
PKIP 00 M8-P00 1p S	160	004123024	240	3
PKIP 00 M8-2P00 1p S	160	004123025	255	3
PKIP 00 P00-P00 1p S	160	004123026	255	3
PKIP 00 P00-2P00 1p S	160	004123027	269	3
PKIP 00 2P00-2P00 1p S	160	004123028	283	3

PK basic version
PKI fuse base with terminal covers
PKIP fuse base with terminal covers and fuse cover

1-pole fuse base size 1, 2, 3

Type	I _n [A]	Code No.	Weight [g]	Packaging [pcs]
PK 1 M10-M10 1p S	250	004123100	603	3
PK 1 M10-S12 1p S	250	004123101	595	3
PK 1 S12-S12 1p S	250	004123102	587	3
PK 1 M10-P1 1p S	250	004123103	665	3
PK 1 M10-2P1 1p S	250	004123104	715	3
PK 1 P1-P1 1p S	250	004123105	727	3
PK 1 P1-2P1 1p S	250	004123106	777	3
PK 1 2P1-2P1 1p S	250	004123107	827	3

PK 2 M10-M10 1p S	400	004123200	840	3
PK 2 M10-S12 1p S	400	004123201	833	3
PK 2 S12-S12 1p S	400	004123202	825	3
PK 2 M10-P2 1p S	400	004123203	963	3
PK 2 M10-2P2 1p S	400	004123204	1029	3
PK 2 P2-P2 1p S	400	004123205	1085	3
PK 2 P2-2P2 1p S	400	004123206	1151	3
PK 2 2P2-2P2 1p S	400	004123207	1217	3

PK 3 M12-M12 1p S	630	004123300	1106	3
PK 3 M12-P3 1p S	630	004123301	1265	3
PK 3 M12-2P3 1p S	630	004123302	1360	3
PK 3 P3-P3 1p S	630	004123303	1424	3
PK 3 P3-2P3 1p S	630	004123304	1519	3
PK 3 2P3-2P3 1p S	630	004123305	1614	3

3-pole fuse base size 00

Type	I _n [A]	Code No.	Weight [g]	Packaging [pcs]
PK 00 M8-M8 3p S	160	004132100	558	1
PK 00 2M6-2M6 3p S	160	004132101	563	1
PK 00 M8-2M6 3p S	160	004132102	560	1
PK 00 M8-P00 3p S	160	004132103	608	1
PK 00 M8-2P00 3p S	160	004132104	651	1
PK 00 P00-P00 3p S	160	004132105	658	1
PK 00 P00-2P00 3p S	160	004132106	700	1
PK 00 2P00-2P00 3p S	160	004132107	743	1

PKI 00 M8-M8 3p S	160	004132111	675	1
PKI 00 2M6-2M6 3p S	160	004132112	680	1
PKI 00 M8-2M6 3p S	160	004132113	677	1
PKI 00 M8-P00 3p S	160	004132114	725	1
PKI 00 M8-2P00 3p S	160	004132115	768	1
PKI 00 P00-P00 3p S	160	004132116	775	1
PKI 00 P00-2P00 3p S	160	004132117	817	1
PKI 00 2P00-2P00 3p S	160	004132118	860	1

PKIP 00 M8-M8 3p S	160	004132121	704	1
PKIP 00 2M6-2M6 3p S	160	004132122	709	1
PKIP 00 M8-2M6 3p S	160	004132123	706	1
PKIP 00 M8-P00 3p S	160	004132124	754	1
PKIP 00 M8-2P00 3p S	160	004132125	797	1
PKIP 00 P00-P00 3p S	160	004132126	804	1
PKIP 00 P00-2P00 3p S	160	004132127	846	1
PKIP 00 2P00-2P00 3p S	160	004132128	889	1

PK basic version with protective barriers
PKI fuse base with terminal covers
PKIP fuse base with terminal covers and fuse cover

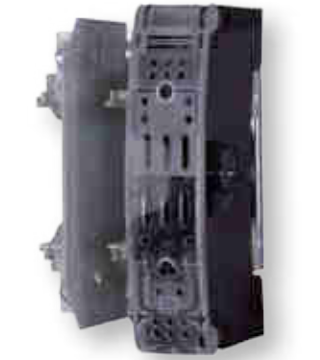
3-pole fuse base size 1, 2, 3

Type	I _n [A]	Code No.	Weight [g]	Packaging [pcs]
PK 1 M10-M10 3p S	250	004132200	1809	1
PK 1 M10-S12 3p S	250	004132201	1785	1
PK 1 S12-S12 3p S	250	004132202	1761	1
PK 1 M10-P1 3p S	250	004132203	1995	1
PK 1 M10-2P1 3p S	250	004132204	2145	1
PK 1 P1-P1 3p S	250	004132205	2181	1
PK 1 P1-2P1 3p S	250	004132206	2331	1
PK 1 2P1-2P1 3p S	250	004132207	2481	1

PK 2 M10-M10 3p S	400	004132300	2520	1
PK 2 M10-S12 3p S	400	004132301	2499	1
PK 2 S12-S12 3p S	400	004132302	2475	1
PK 2 M10-P2 3p S	400	004132303	2889	1
PK 2 M10-2P2 3p S	400	004132304	3087	1
PK 2 P2-P2 3p S	400	004132305	3255	1
PK 2 P2-2P2 3p S	400	004132306	3453	1
PK 2 2P2-2P2 3p S	400	004132307	3651	1

PK 3 M12-M12 3p S	630	004132400	3318	1
PK 3 M12-P3 3p S	630	004132401	3795	1
PK 3 M12-2P3 3p S	630	004132402	4080	1
PK 3 P3-P3 3p S	630	004132403	4272	1
PK 3 P3-2P3 3p S	630	004132404	4557	1
PK 3 2P3-2P3 3p S	630	004132405	4824	1

PK basic version with protective barriers



*Terminal covers and fuse covers sold separately

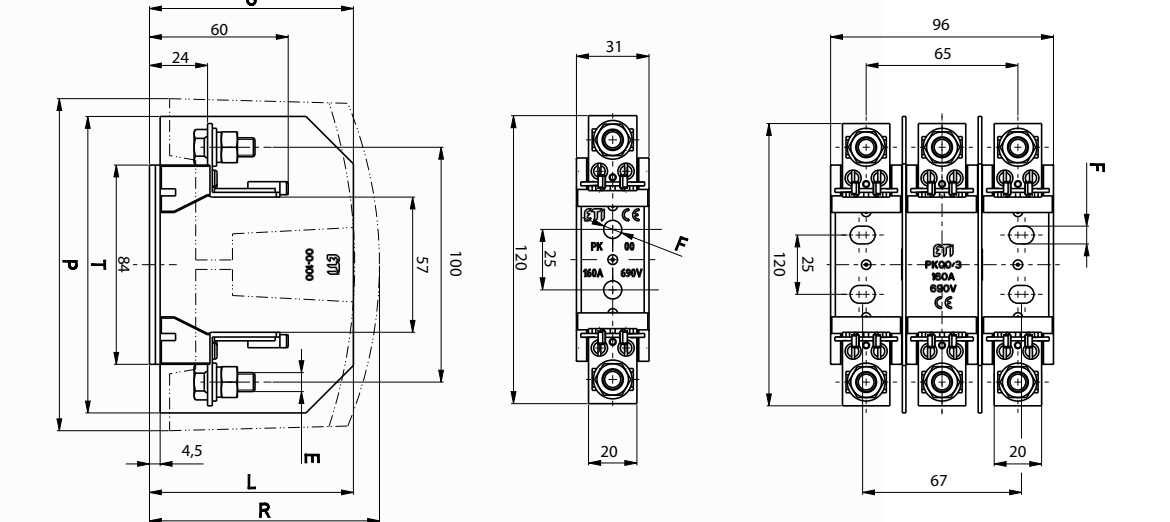
Technical data

Technical data		00	1	2	3	
Electrical characteristics						
Rated voltage	U _n	V a.c.	690			
Rated current	I _n	A	160	250	400	630
Conv. free air thermal current with fuse links	I _{th}	A	160	250	400	630
Conv. free air thermal current with solid links	I _{th}	A	200	320	500	800
Rated frequency		Hz	40-60			
Max. perm. power dissipation per fuse link	P _n	W	12	32	45	60
Max. breaking capacity per fuse link	I _{bn}	kA	200			
Derating temperature factors for max. current	≤ 35	°C	1			
	40	°C	0,95			
	50	°C	0,85			
Mechanical characteristics						
Ambient temperature range	T _{amb}	°C	-25...+55			
Rated operating mode			uninterrupted			
Mounting position			vertical, horizontal			
Pollution degree			3			
Overvoltage category			III			
Degree of protection			IP00 without covers; IP20 with covers fitted			
Standards			IEC 60269-2, DIN VDE 0636, DIN 43620			

Dimensions for size 00

1-pole	3-pole	E	F	L	P	R	S*	T*	
PK 00 M8-M8 1p S	PK 00 M8-M8 3p S	M8-M8	Ø 7,5	\	\	\	\	88	126
PK 00 2M6-2M6 1p S	PK 00 2M6-2M6 3p S	2M6-2M6	Ø 7,5	\	\	\	\	88	126
PK 00 M8-2M6 1p S	PK 00 M8-2M6 3p S	M8-2M6	Ø 7,5	\	\	\	\	88	126
PK 00 M8-P00 1p S	PK 00 M8-P00 3p S	M8-P00	Ø 7,5	\	\	\	\	88	126
PK 00 M8-2P00 1p S	PK 00 M8-2P00 3p S	M8-2P00	Ø 7,5	\	\	\	\	88	126
PK 00 P00-P00 1p S	PK 00 P00-P00 3p S	P00-P00	Ø 7,5	\	\	\	\	88	126
PK 00 P00-2P00 1p S	PK 00 P00-2P00 3p S	P00-2P00	Ø 7,5	\	\	\	\	88	126
PK 00 2P00-2P00 1p S	PK 00 2P00-2P00 3p S	2P00-2P00	Ø 7,5	\	\	\	\	88	126
PKI 00 M8-M8 1p S	PKI 00 M8-M8 3p S	M8-M8	Ø 7,5	87	140	\	\	\	\
PKI 00 2M6-2M6 1p S	PKI 00 2M6-2M6 3p S	2M6-2M6	Ø 7,5	87	140	\	\	\	\
PKI 00 M8-2M6 1p S	PKI 00 M8-2M6 3p S	M8-2M6	Ø 7,5	87	140	\	\	\	\
PKI 00 M8-P00 1p S	PKI 00 M8-P00 3p S	M8-P00	Ø 7,5	87	140	\	\	\	\
PKI 00 M8-2P00 1p S	PKI 00 M8-2P00 3p S	M8-2P00	Ø 7,5	87	140	\	\	\	\
PKI 00 P00-P00 1p S	PKI 00 P00-P00 3p S	P00-P00	Ø 7,5	87	140	\	\	\	\
PKI 00 P00-2P00 1p S	PKI 00 P00-2P00 3p S	P00-2P00	Ø 7,5	87	140	\	\	\	\
PKI 00 2P00-2P00 1p S	PKI 00 2P00-2P00 3p S	2P00-2P00	Ø 7,5	87	140	\	\	\	\
PKIP 00 M8-M8 1p S	PKIP 00 M8-M8 3p S	M8-M8	Ø 7,5	87	140	95	\	\	\
PKIP 00 2M6-2M6 1p S	PKIP 00 2M6-2M6 3p S	2M6-2M6	Ø 7,5	87	140	95	\	\	\
PKIP 00 M8-2M6 1p S	PKIP 00 M8-2M6 3p S	M8-2M6	Ø 7,5	87	140	95	\	\	\
PKIP 00 M8-P00 1p S	PKIP 00 M8-P00 3p S	M8-P00	Ø 7,5	87	140	95	\	\	\
PKIP 00 M8-2P00 1p S	PKIP 00 M8-2P00 3p S	M8-2P00	Ø 7,5	87	140	95	\	\	\
PKIP 00 P00-P00 1p S	PKIP 00 P00-P00 3p S	P00-P00	Ø 7,5	87	140	95	\	\	\
PKIP 00 P00-2P00 1p S	PKIP 00 P00-2P00 3p S	P00-2P00	Ø 7,5	87	140	95	\	\	\
PKIP 00 2P00-2P00 1p S	PKIP 00 2P00-2P00 3p S	2P00-2P00	Ø 7,5	87	140	95	\	\	\

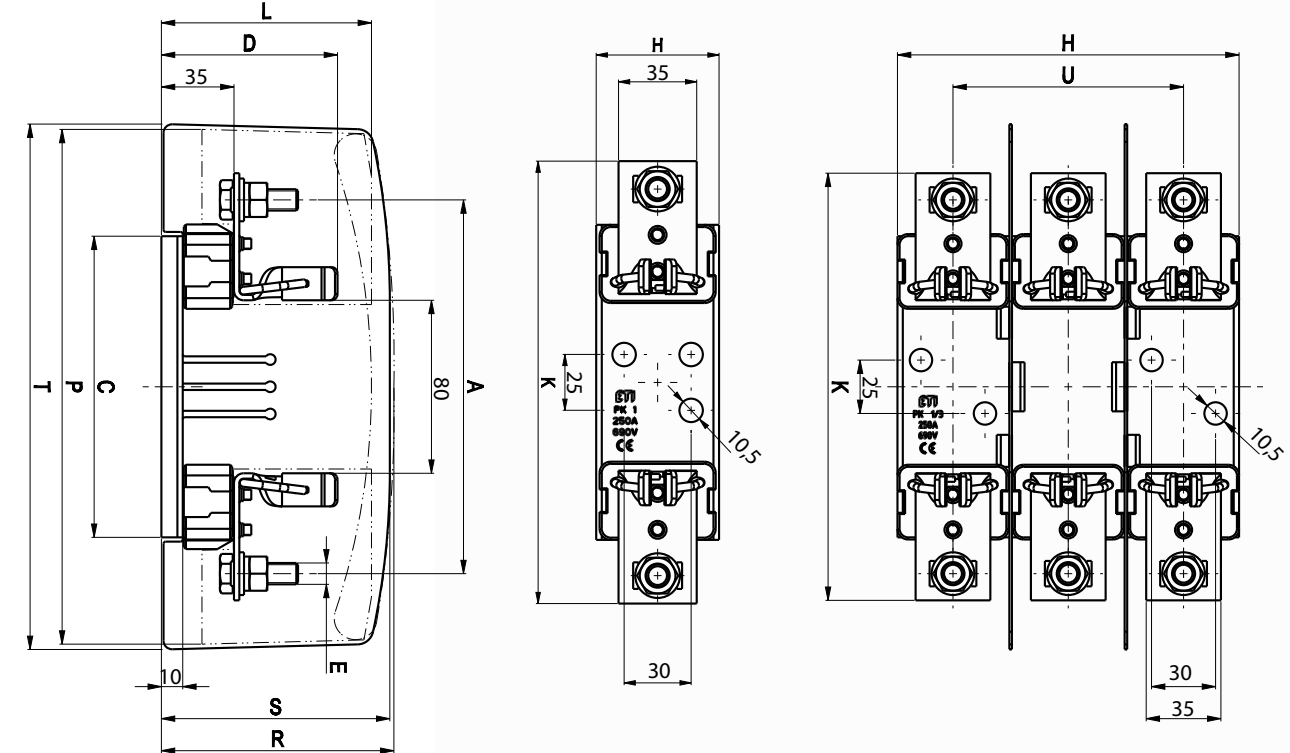
*Protective barriers; included with PK 00 3p fuse bases or sold separately



Dimensions for sizes 1, 2, 3

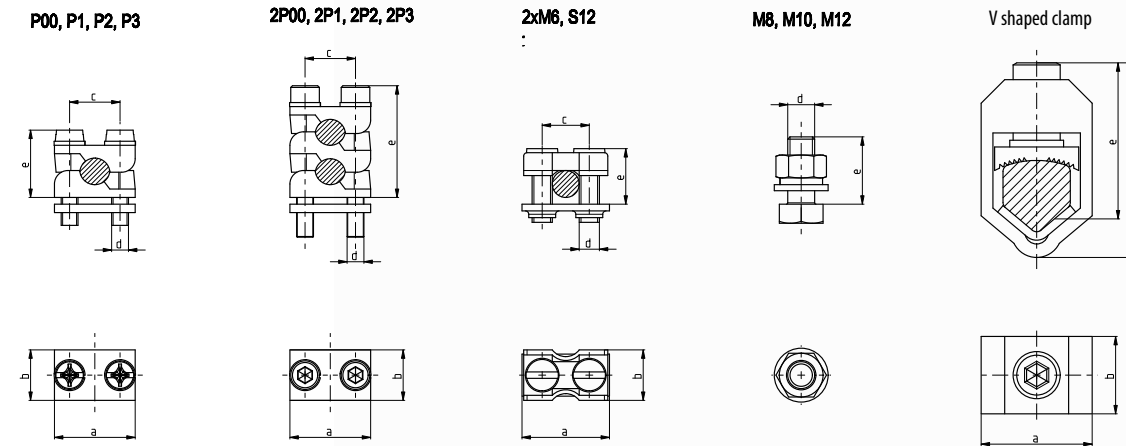
1-pole	3-pole	A	C	D	E	H-1p	H-3p	K	L**	P**	R**	S*	T*	U
PK 1 M10-M10 1p S	PK 1 M10-M10 3p S	175	141	82	M10-M10	55,5	160	200	108	245	113	108	245	106
PK 1 M10-S12 1p S	PK 1 M10-S12 3p S	175	141	82	M10-S12	55,5	160	200	108	245	113	108	245	106
PK 1 S12-S12 1p S	PK 1 S12-S12 3p S	175	141	82	S12-S12	55,5	160	200	108	245	113	108	245	106
PK 1 M10-P1 1p S	PK 1 M10-P1 3p S	175	141	82	M10-P1	55,5	160	200	108	245	113	108	245	106
PK 1 M10-2P1 1p S	PK 1 M10-2P1 3p S	175	141	82	M10-2P1	55,5	160	200	108	245	113	108	245	106
PK 1 P1-P1 1p S	PK 1 P1-P1 3p S	175	141	82	P1-P1	55,5	160	200	108	245	113	108	245	106
PK 1 P1-2P1 1p S	PK 1 P1-2P1 3p S	175	141	82	P1-2P1	55,5	160	200	108	245	113	108	245	106
PK 1 2P1-2P1 1p S	PK 1 2P1-2P1 3p S	175	141	82	2P1-2P1	55,5	160	200	108	245	113	108	245	106
PK 2 M10-M10 1p S	PK 2 M10-M10 3p S	200	166	87	M10-M10	65	185	225	115	266	125	117	266	125
PK 2 M10-S12 1p S	PK 2 M10-S12 3p S	200	166	87	M10-S12	65	185	225	115	266	125	117	266	125
PK 2 S12-S12 1p S	PK 2 S12-S12 3p S	200	166	87	S12-S12	65	185	225	115	266	125	117	266	125
PK 2 M10-P2 1p S	PK 2 M10-P2 3p S	200	166	87	M10-P2	65	185	225	115	266	125	117	266	125
PK 2 M10-2P2 1p S	PK 2 M10-2P2 3p S	200	166	87	M10-2P2	65	185	225	115	266	125	117	266	125
PK 2 P2-P2 1p S	PK 2 P2-P2 3p S	200	166	87	P2-P2	65	185	225	115	266	125	117	266	125
PK 2 P2-2P2 1p S	PK 2 P2-2P2 3p S	200	166	87	P2-2P2	65	185	225	115	266	125	117	266	125
PK 2 2P2-2P2 1p S	PK 2 2P2-2P2 3p S	200	166	87	2P2-2P2	65	185	225	115	266	125	117	266	125
PK 3 M12-M12 1p S	PK 3 M12-M12 3p S	210	166	99	M12-M12	65	208	240	127	266	135	130	266	148
PK 3 M12-P3 1p S	PK 3 M12-P3 3p S	210	166	99	M12-P3	65	208	240	127	266	135	130	266	148
PK 3 M12-2P3 1p S	PK 3 M12-2P3 3p S	210	166	99	M12-2P3	65	208	240	127	266	135	130	266	148
PK 3 P3-P3 1p S	PK 3 P3-P3 3p S	210	166	99	P3-P3	65	208	240	127	266	135	130	266	148
PK 3 P3-2P3 1p S	PK 3 P3-2P3 3p S	210	166	99	P3-2P3	65	208	240	127	266	135	130	266	148
PK 3 2P3-2P3 1p S	PK 3 2P3-2P3 3p S	210	166	99	2P3-2P3	65	208	240	127	266	135	130	266	148

*Protective barriers; included with 3p fuse bases or sold separately
 **Terminal covers and fuse covers; sold separately



Type of connections

[mm]	a	b	c	d	e _{max}	Tightening torque [Nm]	Connections
P00	24	15	15	M5	25	2,6	10-70 Cu/Al
2P00	24	15	15	M5	35	2,6	2x(10-50) Cu/Al
P1	37	20	25	M6	30	4,5	70-150 Cu/Al
P21	37	20	25	M6	42	4,5	2x(75-95) Cu/Al
P2	42	22	28	M8	40	11	120-240 Cu/Al
2P2	42	22	28	M8	55	11	2x(120-150) Cu/Al
P3	50	25	30	M8	44	11	120-300 Cu/Al
2P3	50	25	30	M8	66	11	2x(120-240) Cu/Al
2xM6	26	15	14	M6	16	4	6-70 Cu
S12	36	16	25	M6	25	9,5	25-150Cu
M8				M8	20	10	
M10				M10	30	32	
M12				M12	30	32	
V shaped clamp	35	23	58		45	22	SM: 50-240 Cu/Al SE: 300 Cu/Al RM: 37-70 Cu/Al RE: 25-50 Cu/Al



Accessories

Type	Code No.	Weight [g]	Packaging [pcs]
Terminal covers			
ZP PT 00-1	004129010	20	6
ZP PT 1-1	004129012	47,5	6
ZP PT 2-1	004129013	62	6
ZP PT 3-1	004129014	73,5	6
Fuse covers			
PZP PT 00-1	004129020	9,5	6
PZP PT 1-1	004129022	25	6
PZP PT 2-1	004129023	36,5	6
PZP PT 3-1	004129024	45	6
Protective barriers			
PR PK00 S	004941320	17	20
PR PK1 S	004941321	47	20
PR PK2 S	004941322	56	20
PR PK3 S	004941323	62	20



Neutral Terminal Base / Earth Clamp

Neutral Terminal Base / Earth Clamp

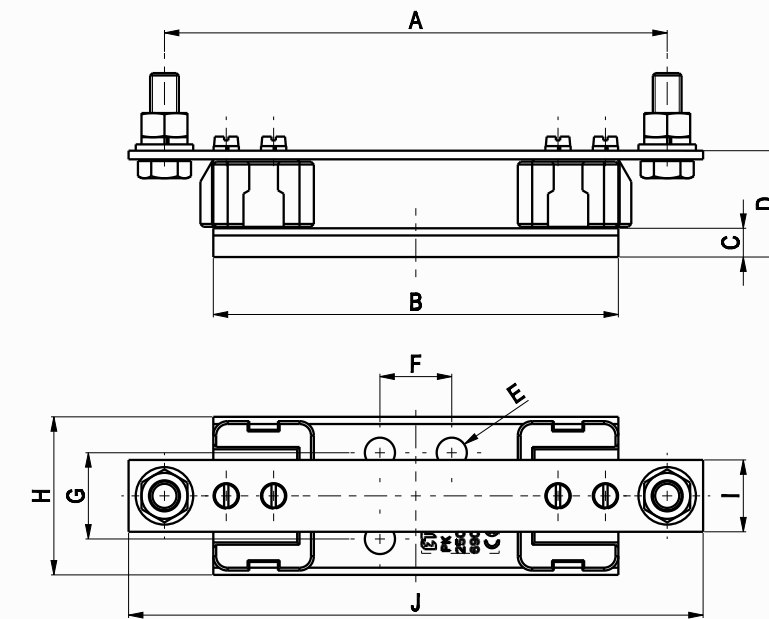
Type	I _n [A]	Code No.	Weight [g]	Packaging [pcs]
PK 00/0 M8-2M5 S	160	004941410	187	3
PK 1 M10-M10 S	250	004941411	635	3
PK 2 M10-M10 S	400	004941412	1016	3
PK 3 M12-M12 S	630	004941413	1066	3

Technical data

Size	00	1	2	3	
Electrical characteristics					
Rated voltage U _n	V.a.c.		690		
Rated current I _n	A	160	250	400	630
Cable terminal					
Connection	M8-2M5	M10-M10	M12-M12		
Tightening torque	Nm	10-2,6	32		

Dimensions

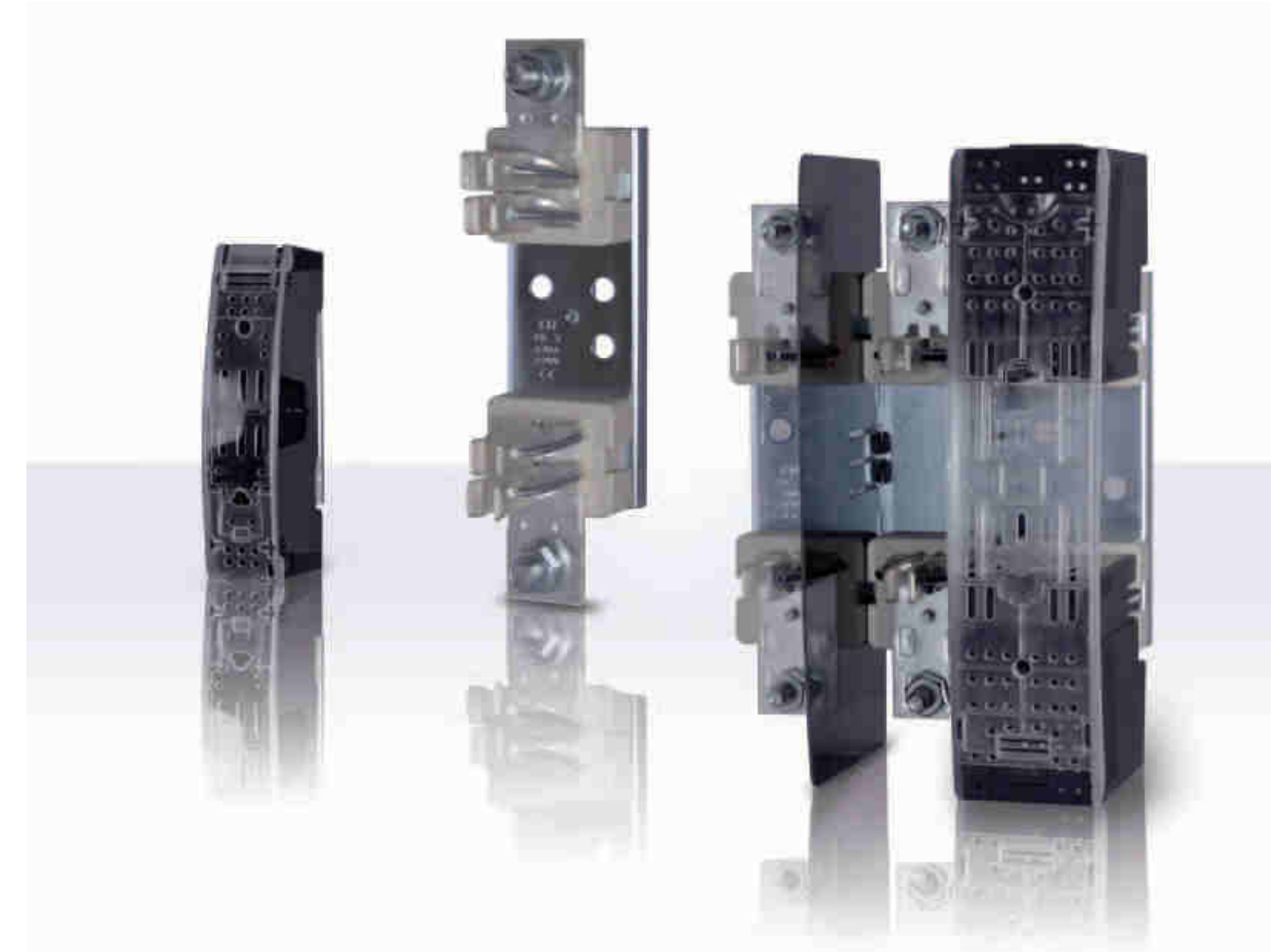
[mm]	A	B	C	D	E	F	G	H	I	J
PK 00/0 M8-2M5 S	100	84	4,5	26,5	Ø7,5	25	1	31	20	115
PK 1 M10-M10 S	175	141	10	38	Ø10,5	25	30	55,5	26	200
PK 2 M10-M10 S	200	166	10	40	Ø10,5	25	30	65	30	225
PK 3 M12-M12 S	210	166	10	40	Ø10,5	25	30	65	30	240



New!



Fuse Bases with Ceramic Insulation for NH Fuses



New!

ETI Elektroelement d.d.
 Obrezija 5, Sl - 1411 Izlake
 Slovenia
 Phone: + 386 03 56 57 570
 Fax: + 386 03 56 74 077
 eti@eti.si
 www.etigroup.eu