

Plastic Fuse Bases

Features and Advantages

Plastic fuse bases PT for NH fuses are suitable for screw mounting / surface mounting on mounting plates or mounting on DIN-rails, and can be used in combination with NH fuse-links according to DIN VDE 0636-2 / IEC 60269-2 as well as solid links.

They offer a compact and simple solution for application of fuses as protective elements in low voltage distribution boards and are characterized by silver plated contacts and a broad range of connections.

PT fuse bases are available in sizes 00 to 3, in 1-pole and 3-pole version. The range comes with accessories including protection barriers, IP20 finger safe protection kits and neutral links, which, along with the possibility of attaching additional poles, provides an optimal solution for every application.

Rated for fuse-links with breaking capacity up to 120 kA.

Ratings:
Rated voltage: 690 V a.c.
Rated current: 160 A - 630 A

Standards:
IEC 60269-2
DIN VDE 0636-21 & 201
DIN 43620

Possibility of linking more than 3 poles together using dividing partitions.

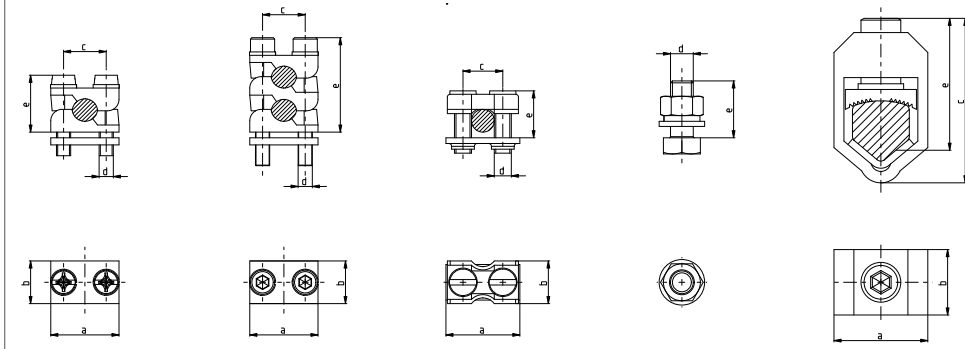
Possibility of screw mounting or mounting on DIN-rail.

Galvanically silver plated contacts, providing ideal contact characteristics.

Sturdy and compact IP 20 protection kits.

We offer one- and two-cable terminals with a broad range of available connections:

- flat terminals
- clip terminals
- prism clamps
- V shaped clamps



*Terminal covers and fuse covers sold separately

1-pole fuse base size 00

Type	I _n [A]	Code No.	Weight [g]	Packaging [pcs]
PT 00 M8-M8 1p	160	004121300	110	3
PT 00 2M6-2M6 1p	160	004121301	114	3
PT 00 M8-2M6 1p	160	004121302	112	3
PT 00 M8-P00 1p	160	004121303	126	3
PT 00 M8-2P00 1p	160	004121304	140	3
PT 00 P00-P00 1p	160	004121305	143	3
PT 00 P00-2P00 1p	160	004121306	157	3
PT 00 2P00-2P00 1p	160	004121307	172	3

PTI 00 M8-M8 1p	160	004121311	150	3
PTI 00 2M6-2M6 1p	160	004121312	154	3
PTI 00 M8-2M6 1p	160	004121313	152	3
PTI 00 M8-P00 1p	160	004121314	166	3
PTI 00 M8-2P00 1p	160	004121315	180	3
PTI 00 P00-P00 1p	160	004121316	183	3
PTI 00 P00-2P00 1p	160	004121317	197	3
PTI 00 2P00-2P00 1p	160	004121318	212	3

PTIP 00 M8-M8 1p	160	004121321	160	3
PTIP 00 2M6-2M6 1p	160	004121322	164	3
PTIP 00 M8-2M6 1p	160	004121323	162	3
PTIP 00 M8-P00 1p	160	004121324	176	3
PTIP 00 M8-2P00 1p	160	004121325	190	3
PTIP 00 P00-P00 1p	160	004121326	193	3
PTIP 00 P00-2P00 1p	160	004121327	207	3
PTIP 00 2P00-2P00 1p	160	004121328	222	3

PT basic version
PTI fuse base with terminal covers
PTIP fuse base with terminal covers and fuse cover

1-pole fuse base size 1, 2, 3

Type	I _n [A]	Code No.	Weight [g]	Packaging [pcs]
PT 1 M10-M10 1p	250	004121400	364	3
PT 1 M10-S12 1p	250	004121401	357	3
PT 1 S12-S12 1p	250	004121402	349	3
PT 1 M10-P1 1p	250	004121403	427	3
PT 1 M10-2P1 1p	250	004121404	477	3
PT 1 P1-P1 1p	250	004121405	489	3
PT 1 P1-2P1 1p	250	004121406	539	3
PT 1 2P1-2P1 1p	250	004121407	589	3

PT 2 M10-M10 1p	400	004121500	394	3
PT 2 M10-S12 1p	400	004121501	387	3
PT 2 S12-S12 1p	400	004121502	379	3
PT 2 M10-P2 1p	400	004121503	517	3
PT 2 M10-2P2 1p	400	004121504	583	3
PT 2 P2-P2 1p	400	004121505	639	3
PT 2 P2-2P2 1p	400	004121506	705	3
PT 2 2P2-2P2 1p	400	004121507	771	3

PT 3 M12-M12 1p	630	004121600	649	3
PT 3 M12-P3 1p	630	004121601	810	3
PT 3 M12-2P3 1p	630	004121602	905	3
PT 3 P3-P3 1p	630	004121603	966	3
PT 3 P3-2P3 1p	630	004121604	1061	3
PT 3 2P3-2P3 1p	630	004121605	1156	3

3-pole fuse base size 00

Type	I _n [A]	Code No.	Weight [g]	Packaging [pcs]
PT 00 M8-M8 3p	160	004131200	360	1
PT 00 2M6-2M6 3p	160	004131201	374	1
PT 00 M8-2M6 3p	160	004131202	367	1
PT 00 M8-P00 3p	160	004131203	410	1
PT 00 M8-2P00 3p	160	004131204	453	1
PT 00 P00-P00 3p	160	004131205	460	1
PT 00 P00-2P00 3p	160	004131206	502	1
PT 00 2P00-2P00 3p	160	004131207	545	1

PTI 00 M8-M8 3p	160	004131211	425	1
PTI 00 2M6-2M6 3p	160	004131212	438	1
PTI 00 M8-2M6 3p	160	004131213	431	1
PTI 00 M8-P00 3p	160	004131214	475	1
PTI 00 M8-2P00 3p	160	004131215	518	1
PTI 00 P00-P00 3p	160	004131216	525	1
PTI 00 P00-2P00 3p	160	004131217	567	1
PTI 00 2P00-2P00 3p	160	004131218	610	1

PTIP 00 M8-M8 3p	160	004131221	450	1
PTIP 00 2M6-2M6 3p	160	004131222	463	1
PTIP 00 M8-2M6 3p	160	004131223	456	1
PTIP 00 M8-P00 3p	160	004131224	500	1
PTIP 00 M8-2P00 3p	160	004131225	543	1
PTIP 00 P00-P00 3p	160	004131226	550	1
PTIP 00 P00-2P00 3p	160	004131227	592	1
PTIP 00 2P00-2P00 3p	160	004131228	635	1

PT basic version
PTI fuse base with terminal covers
PTIP fuse base with terminal covers and fuse cover

3-pole fuse base size 1, 2, 3

Type	I _n [A]	Code No.	Weight [g]	Packaging [pcs]
PT 1 M10-M10 3p	250	004131300	1204	1
PT 1 M10-S12 3p	250	004131301	1183	1
PT 1 S12-S12 3p	250	004131302	1159	1
PT 1 M10-P1 3p	250	004131303	1393	1
PT 1 M10-2P1 3p	250	004131304	1543	1
PT 1 P1-P1 3p	250	004131305	1579	1
PT 1 P1-2P1 3p	250	004131306	1729	1
PT 1 2P1-2P1 3p	250	004131307	1879	1

PT 2 M10-M10 3p	400	004131400	1312	1
PT 2 M10-S12 3p	400	004131401	1291	1
PT 2 S12-S12 3p	400	004131402	1267	1
PT 2 M10-P2 3p	400	004131403	1681	1
PT 2 M10-2P2 3p	400	004131404	1879	1
PT 2 P2-P2 3p	400	004131405	2047	1
PT 2 P2-2P2 3p	400	004131406	2245	1
PT 2 2P2-2P2 3p	400	004131407	2443	1

PT 3 M12-M12 3p	630	004131500	2105	1
PT 3 M12-P3 3p	630	004131501	2588	1
PT 3 M12-2P3 3p	630	004131502	2873	1
PT 3 P3-P3 3p	630	004131503	3056	1
PT 3 P3-2P3 3p	630	004131504	3341	1
PT 3 2P3-2P3 3p	630	004131505	3626	1

PT basic version with protective barriers



*Terminal covers and fuse covers sold separately

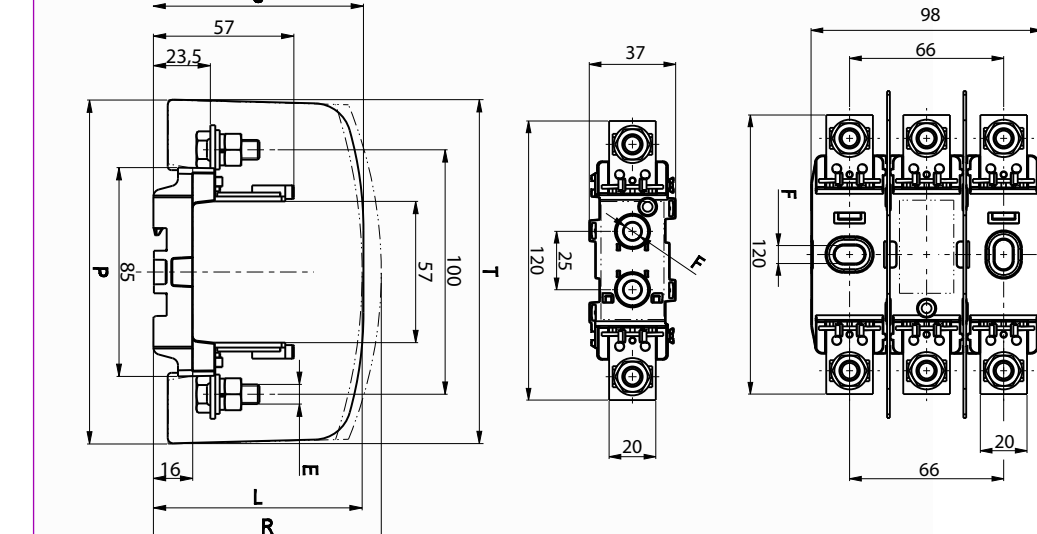
Technical data

Technical data		00	1	2	3
Electrical characteristics					
Rated voltage	U _n	V a.c.	690		
Rated current	I _n	A	160	250	400 630
Conv. free air thermal current with fuse links	I _{th}	A	160	250	400 630
Conv. free air thermal current with solid links	I _{th}	A	200	320	500 800
Rated frequency	Hz	40-60			
Max. permis. power dissipation per fuse link	P _n	W	12	32	45 60
Max. breaking capacity per fuse link	I _b	kA	120		
Derating temperature factors for max. current	≤ 35 °C	1			
	40 °C	0,95			
	50 °C	0,85			
Mechanical characteristics					
Ambient temperature range	T _{amb}	°C	-25...+55		
Rated operating mode	uninterrupted				
Mounting position	vertical, horizontal				
Pollution degree	3				
Overvoltage category	III				
Degree of protection	IP00 without covers; IP20 with covers fitted				
Standards	IEC 60269-2, DIN VDE 0636, DIN 43620				

Dimensions for size 00

1-pole	3-pole	E	F	L	P	R	S*	T*
PT 00 M8-M8 1p	PT 00 M8-M8 3p	M8-M8	Ø 7,5	\	\	\	86	140
PT 00 2M6-2M6 1p	PT 00 2M6-2M6 3p	2M6-2M6	Ø 7,5	\	\	\	86	140
PT 00 M8-2M6 1p	PT 00 M8-2M6 3p	M8-2M6	Ø 7,5	\	\	\	86	140
PT 00 M8-P00 1p	PT 00 M8-P00 3p	M8-P00	Ø 7,5	\	\	\	86	140
PT 00 M8-2P00 1p	PT 00 M8-2P00 3p	M8-2P00	Ø 7,5	\	\	\	86	140
PT 00 P00-P00 1p	PT 00 P00-P00 3p	P00-P00	Ø 7,5	\	\	\	86	140
PT 00 P00-2P00 1p	PT 00 P00-2P00 3p	P00-2P00	Ø 7,5	\	\	\	86	140
PT 00 2P00-2P00 1p	PT 00 2P00-2P00 3p	2P00-2P00	Ø 7,5	\	\	\	86	140
PTI 00 M8-M8 1p	PTI 00 M8-M8 3p	M8-M8	Ø 7,5	87	140	\	\	\
PTI 00 2M6-2M6 1p	PTI 00 2M6-2M6 3p	2M6-2M6	Ø 7,5	87	140	\	\	\
PTI 00 M8-2M6 1p	PTI 00 M8-2M6 3p	M8-2M6	Ø 7,5	87	140	\	\	\
PTI 00 M8-P00 1p	PTI 00 M8-P00 3p	M8-P00	Ø 7,5	87	140	\	\	\
PTI 00 M8-2P00 1p	PTI 00 M8-2P00 3p	M8-2P00	Ø 7,5	87	140	\	\	\
PTI 00 P00-P00 1p	PTI 00 P00-P00 3p	P00-P00	Ø 7,5	87	140	\	\	\
PTI 00 P00-2P00 1p	PTI 00 P00-2P00 3p	P00-2P00	Ø 7,5	87	140	\	\	\
PTI 00 2P00-2P00 1p	PTI 00 2P00-2P00 3p	2P00-2P00	Ø 7,5	87	140	\	\	\
PTIP 00 M8-M8 1p	PTIP 00 M8-M8 3p	M8-M8	Ø 7,5	87	140	95	\	\
PTIP 00 2M6-2M6 1p	PTIP 00 2M6-2M6 3p	2M6-2M6	Ø 7,5	87	140	95	\	\
PTIP 00 M8-2M6 1p	PTIP 00 M8-2M6 3p	M8-2M6	Ø 7,5	87	140	95	\	\
PTIP 00 M8-P00 1p	PTIP 00 M8-P00 3p	M8-P00	Ø 7,5	87	140	95	\	\
PTIP 00 M8-2P00 1p	PTIP 00 M8-2P00 3p	M8-2P00	Ø 7,5	87	140	95	\	\
PTIP 00 P00-P00 1p	PTIP 00 P00-P00 3p	P00-P00	Ø 7,5	87	140	95	\	\
PTIP 00 P00-2P00 1p	PTIP 00 P00-2P00 3p	P00-2P00	Ø 7,5	87	140	95	\	\
PTIP 00 2P00-2P00 1p	PTIP 00 2P00-2P00 3p	2P00-2P00	Ø 7,5	87	140	95	\	\

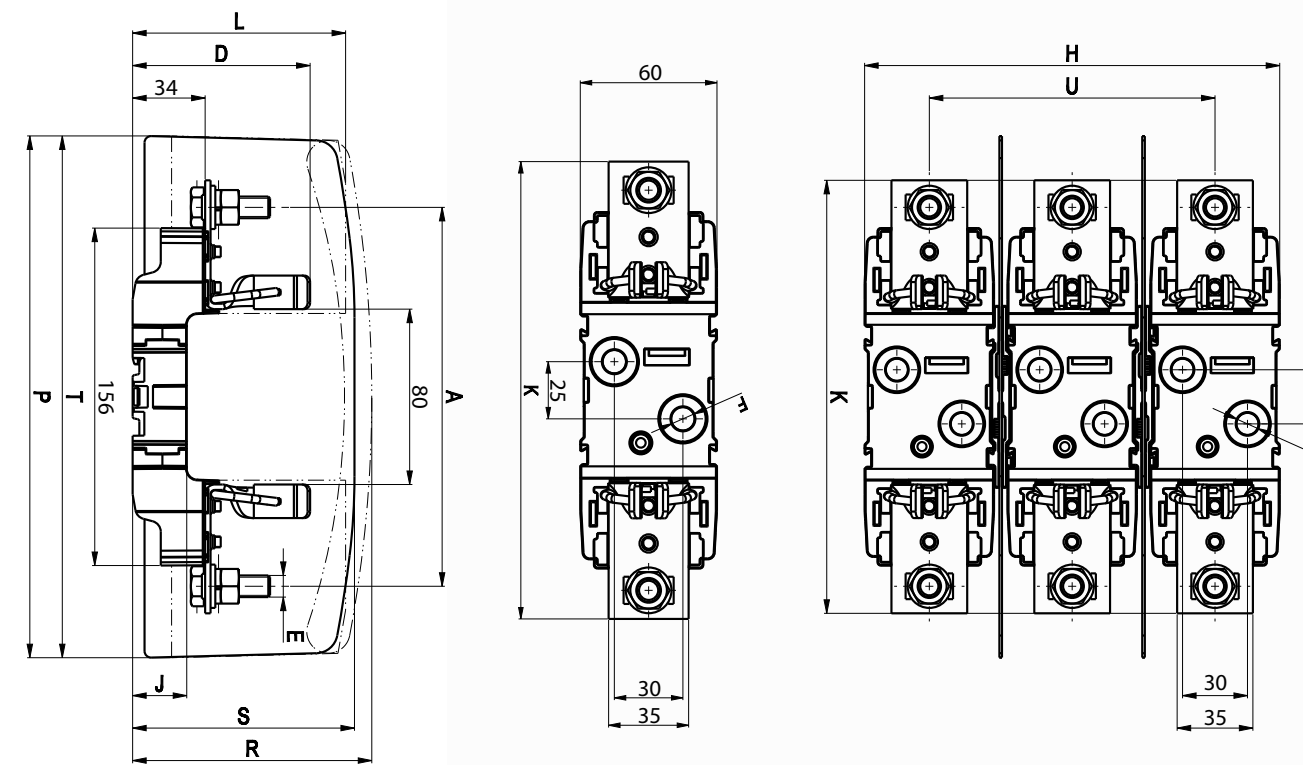
*Protective barriers



Dimensions for sizes 1, 2, 3

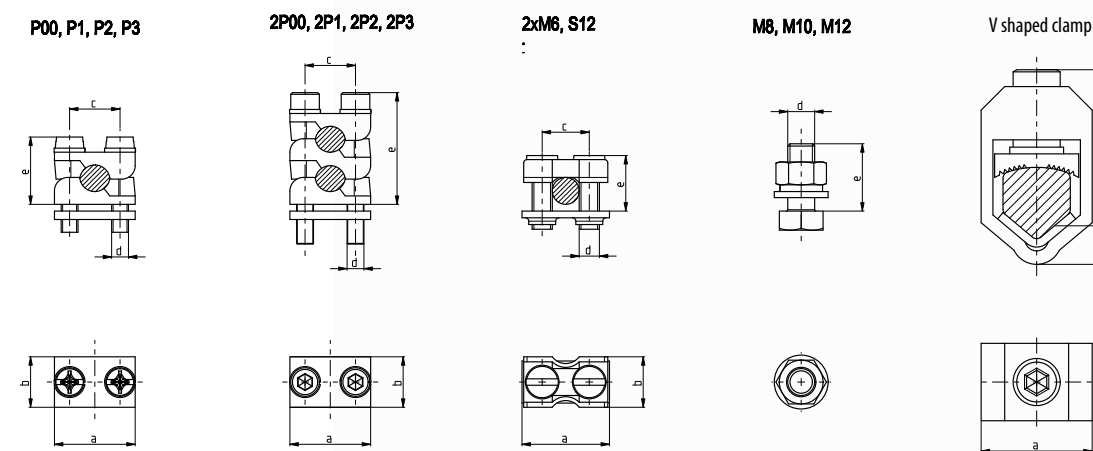
1-pole	3-pole	A	D	E	F	H	J	K	L**	P**	R**	S*	T*	U
PT 1 M10-M10 1p	PT 1 M10-M10 3p	175	81	M10-M10	10,5	190	25	200	103	244	110	108	241	130
PT 1 M10-S12 1p	PT 1 M10-S12 3p	175	81	M10-S12	10,5	190	25	200	103	244	110	108	241	130
PT 1 S12-S12 1p	PT 1 S12-S12 3p	175	81	S12-S12	10,5	190	25	200	103	244	110	108	241	130
PT 1 M10-P1 1p	PT 1 M10-P1 3p	175	81	M10-P1	10,5	190	25	200	103	244	110	108	241	130
PT 1 M10-2P1 1p	PT 1 M10-2P1 3p	175	81	M10-2P1	10,5	190	25	200	103	244	110	108	241	130
PT 1 P1-P1 1p	PT 1 P1-P1 3p	175	81	P1-P1	10,5	190	25	200	103	244	110	108	241	130
PT 1 P1-2P1 1p	PT 1 P1-2P1 3p	175	81	P1-2P1	10,5	190	25	200	103	244	110	108	241	130
PT 1 2P1-2P1 1p	PT 1 2P1-2P1 3p	175	81	2P1-2P1	10,5	190	25	200	103	244	110	108	241	130
PT 2 M10-M10 1p	PT 2 M10-M10 3p	200	87	M10-M10	10,5	190	25	225	112	268	120	115,5	266	130
PT 2 M10-S12 1p	PT 2 M10-S12 3p	200	87	M10-S12	10,5	190	25	225	112	268	120	115,5	266	130
PT 2 S12-S12 1p	PT 2 S12-S12 3p	200	87	S12-S12	10,5	190	25	225	112	268	120	115,5	266	130
PT 2 M10-P2 1p	PT 2 M10-P2 3p	200	87	M10-P2	10,5	190	25	225	112	268	120	115,5	266	130
PT 2 M10-2P2 1p	PT 2 M10-2P2 3p	200	87	M10-2P2	10,5	190	25	225	112	268	120	115,5	266	130
PT 2 P2-P2 1p	PT 2 P2-P2 3p	200	87	P2-P2	10,5	190	25	225	112	268	120	115,5	266	130
PT 2 P2-2P2 1p	PT 2 P2-2P2 3p	200	87	P2-2P2	10,5	190	25	225	112	268	120	115,5	266	130
PT 2 2P2-2P2 1p	PT 2 2P2-2P2 3p	200	87	2P2-2P2	10,5	190	25	225	112	268	120	115,5	266	130
PT 3 M12-M12 1p	PT 3 M12-M12 3p	210	98	M12-M12	10,5	222	10	240	126	268	133	130	267	166
PT 3 M12-P3 1p	PT 3 M12-P3 3p	210	98	M12-P3	10,5	222	10	240	126	268	133	130	267	166
PT 3 M12-2P3 1p	PT 3 M12-2P3 3p	210	98	M12-2P3	10,5	222	10	240	126	268	133	130	267	166
PT 3 P3-P3 1p	PT 3 P3-P3 3p	210	98	P3-P3	10,5	222	10	240	126	268	133	130	267	166
PT 3 P3-2P3 1p	PT 3 P3-2P3 3p	210	98	P3-2P3	10,5	222	10	240	126	268	133	130	267	166
PT 3 2P3-2P3 1p	PT 3 2P3-2P3 3p	210	98	2P3-2P3	10,5	222	10	240	126	268	133	130	267	166

*Protective barriers: included with 3p fuse bases or sold separately
**Terminal covers and fuse covers: sold separately



Type of connections

[mm]	a	b	c	d	e _{max}	Tightening torque [Nm]	Connections
P00	24	15	15	M5	25	2,6	10-70 Cu/Al
2P00	24	15	15	M5	35	2,6	2x(10-50) Cu/Al
P1	37	20	25	M6	30	4,5	70-150 Cu/Al
2P1	37	20	25	M6	42	4,5	2x(70-95) Cu/Al
P2	42	22	28	M8	40	11	120-240 Cu/Al
2P2	42	22	28	M8	55	11	2x(120-150) Cu/Al
P3	50	25	30	M8	44	11	120-300 Cu/Al
2P3	50	25	30	M8	66	11	2x(120-240) Cu/Al
2xM6	26	15	14	M6	16	4	6-70 Cu
S12	36	16	25	M6	25	9,5	25-150Cu
M8				M8	20	10	
M10				M10	30	32	
M12				M12	30	32	
V shaped clamp	35	23	58		45	22	SM: 50-240 Cu/Al SE: 300 Cu/Al RM: 37-70 Cu/Al RE: 25-50 Cu/Al



Accessories

Type	Code No.	Weight [g]	Packaging [pcs]
Terminal covers			
ZP PT 00-1	004129010	20	6
ZP PT 00-3	004129011	56,7	1
ZP PT 1-1	004129012	47,5	6
ZP PT 2-1	004129013	62	6
ZP PT 3-1	004129014	73,5	6
Fuse covers			
PZP PT 00-1	004129020	9,5	6
PZP PT 00-3	004129021	14,7	6
PZP PT 1-1	004129022	25	6
PZP PT 2-1	004129023	36,5	6
PZP PT 3-1	004129024	45	6
Protective barriers			
PR PT00-1	004941330	18,1	20
PR PT00-3	004941331	17,5	20
PR PT1	004941332	38	20
PR PT2	004941333	45,7	20
PR PT3	004941334	52,4	20

Neutral Terminal Base / Earth Clamp

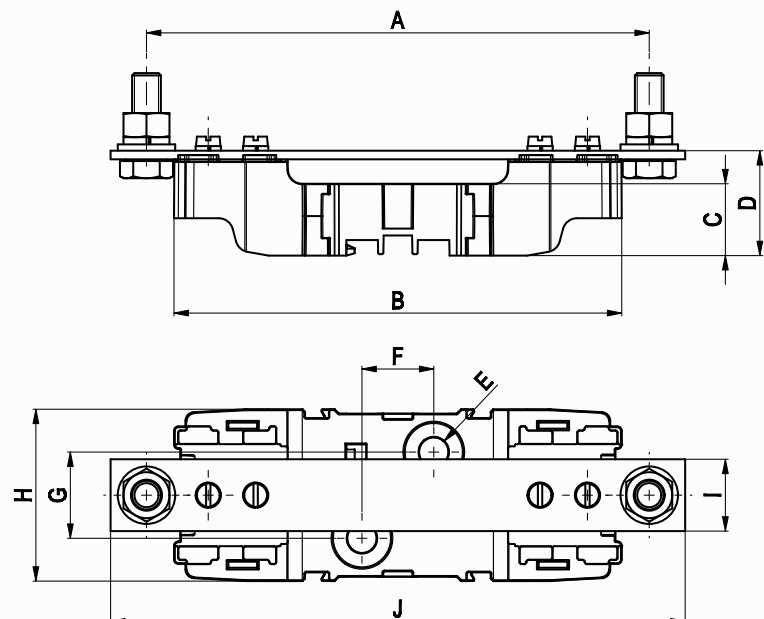
Type	I _n [A]	Code No.	Weight [g]	Packaging [pcs]
PT 00/0 M8-2M5	160	004941502	124	3
PT 1/0 M10-M10	250	004941503	396	3
PT 2/0 M10-M10	400	004941504	570	3
PT 3/0 M10-M10	630	004941505	609	3

Technical data

Size	00	1	2	3
Electrical characteristics				
Rated voltage U _n V a.c./d.c.			690	
Rated current I _n A	160	250	400	630
Cable terminal				
Connection	M8-2M5	M10-M10	M12-M12	
Tightening torque Nm	10-2,6		32	

Dimensions

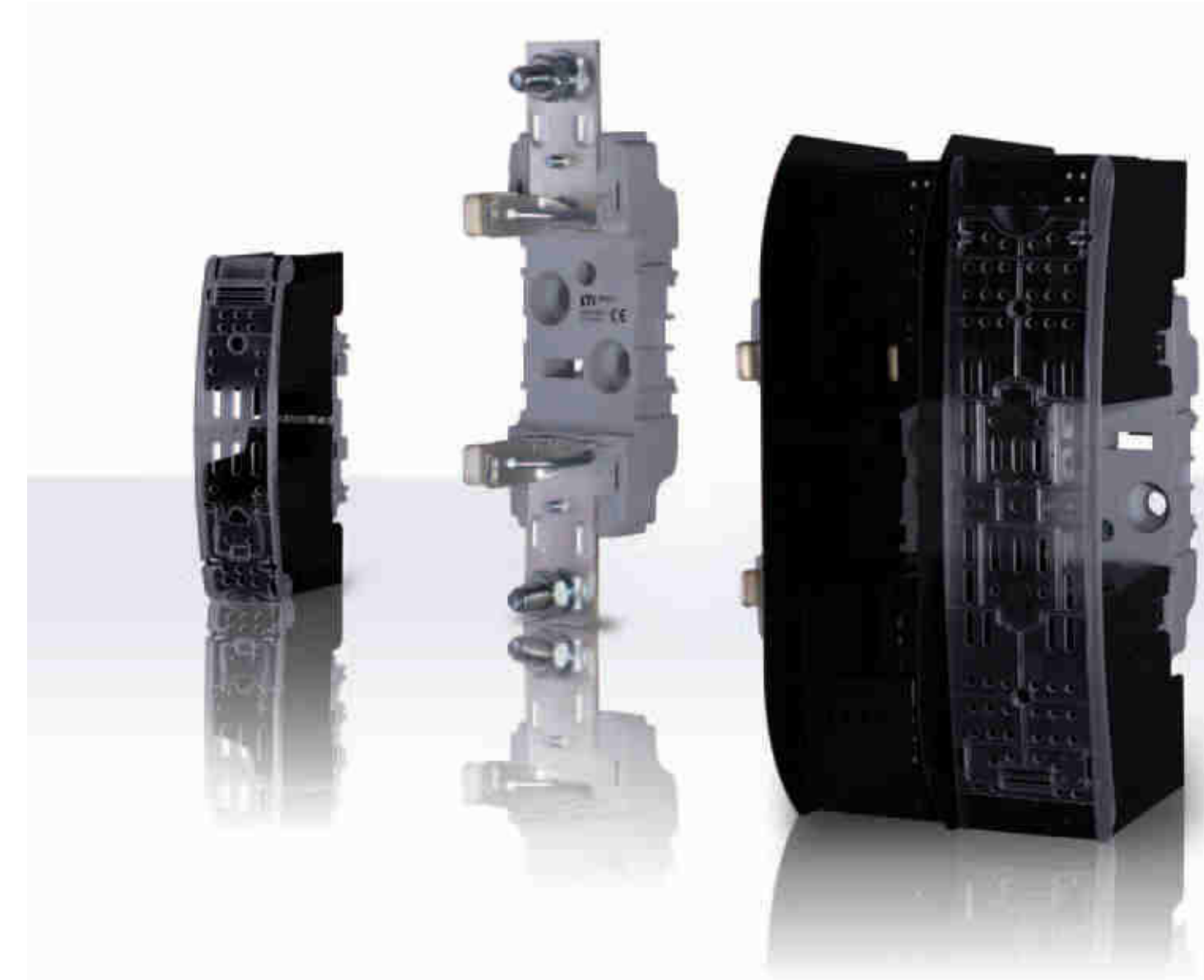
[mm]	A	B	C	D	E	F	G	H	I	J
PT 00/0 M8-2M5 S	100	85	4,5	26,5	Ø7,5	25	1	37	20	115
PT 1 M10-M10 S	175	156	10	38	Ø10,5	25	30	60	26	200
PT 2 M10-M10 S	200	156	10	40	Ø10,5	25	30	60	30	225
PT 3 M12-M12 S	210	156	10	400	Ø10,5	25	30	60	30	240



New!



Plastic Fuse Bases PT for NH Fuses



New!

ETI Elektroelement d.d.
Obrezija 5, SI - 1411 Izlake
Slovenia
Phone: + 386 03 56 57 570
Fax: + 386 03 56 74 077
eti@eti.si
www.etigroup.eu