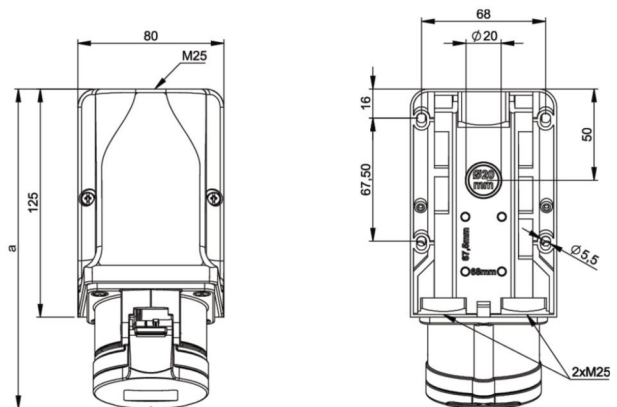


PCE data sheet

article#	913-6
article description	CEE-wall mounted socket wiring through 16A 3p 6h IP44
description long	CEE-wall mounted socket wiring through 16A3p 6h IP44 housing material: PA6 rated current: 16A number of poles: 3 (2P+PE) clock-position: 6h rated voltage/frequency: 200-250V~/ 50+60Hz contacts: brass connection technology: screw terminals cable entry: top, 2x bottom, rear inc. threaded cable grommet housing for wiring through IP protection class: IP44
GTIN (EAN)	9003399088261
country of origin	AT
customs number	85366990
net weight	0.291 kg
packaging quantity	5

ETIM 7.0	EC001321
Model	Surface mounted (plaster)
IEC-amperage	16 A
Number of poles	3
Voltage acc. EN 60309-2	230 V (50+60 Hz) blue
Clock hour position	6 h
Identification colour	Blue
RAL-number	
Degree of protection (IP)	IP44
Connection system	Screwed terminal
Cable entry	Swivel
Material	Plastic
Contact material	CuZn
Surface finish contacts	Untreated
Type of fastening	Inner lying mounting

wire flexible	1-2,5 mm ²
wire solid	1-4 mm ²
contact screws	100 Ncm
dismantling length	50 mm
stripping length	10-12 mm


www.manufacturer-safety.info