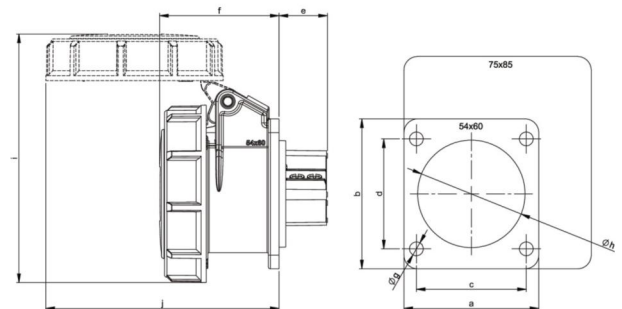


PCE data sheet

| | |
|------------------------|---|
| article# | 3822-10f9v |
| article description | CEE-flanged socket straight 54x60mm 16A 2p 24/42VDC IP66/IP67 TWIST |
| description long | CEE-flanged socket straight 54x60mm 16A 2p 24/42VDC IP66/IP67 TWIST housing material: PA6 rated current: 16A number of poles: 2 (2P) clock-position: 10h rated voltage/frequency: 24/42V DC contacts: brass nickel plated connection technology: screw terminals dimensions (flange/fixing center): 54x60 mm / 44x44 mm IP protection class: IP66/IP67 |
| GTIN (EAN) | 9003399308376 |
| country of origin | AT |
| customs number | 85366990 |
| net weight | 0.137 kg |
| packaging quantity | 10 |
| minimum order quantity | 10 |

| | |
|--------------------------------|---------------|
| ETIM 7.0 | EC001317 |
| IEC-amperage | 16 A |
| Voltage acc. EN 60309-2 | <50 V DC grey |
| Number of poles | 2 |
| Clock hour position | 10 h |
| Identification colour | White |
| Degree of protection (IP) | IP67 |
| Connection system | Schraubklemme |
| Angle of plug | Straight |
| Material | Plastic |
| Flange size vertical | 60 mm |
| Drill hole distance vertical | 44 mm |
| Flange size horizontal | 54 mm |
| Drill hole distance horizontal | 44 mm |

| | |
|--------------------|------------------------|
| wire flexible | 1-10 mm ² |
| wire solid | 1,5-10 mm ² |
| contact screws | 160 Ncm |
| dismantling length | 70 mm |
| stripping length | 14-16 mm |



www.manufacturer-safety.info