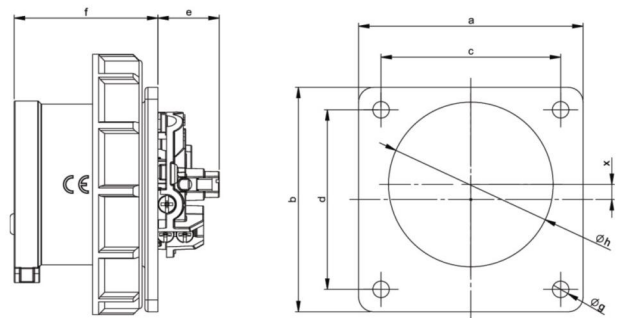


# PCE data sheet

article#	<b>6272-6v</b>
article description	<b>CEE-flanged plug straight (75x75mm) 32A 7p 6h IP66/IP67</b>
description long	CEE-flanged plug straight (75x75mm) 32A 7p 6h IP66/IP67 housing material: PA6 rated current: 32A number of poles: 7 (6P+PE) clock-position: 6h rated voltage/frequency: 380-415V~ / 50+60Hz contacts: brass nickel plated connection technology: screw terminals dimensions (flange/fixing center): 75x75 mm / 60x60 mm IP protection class: IP66/IP67
GTIN (EAN)	9003399315091
country of origin	AT
customs number	85366990
net weight	0.265 kg
packaging quantity	10

ETIM 7.0	EC001319
IEC-amperage	32 A
Voltage acc. EN 60309-2	400 V (50+60 Hz) red
Number of poles	7
Clock hour position	6 h
Identification colour	Red
Degree of protection (IP)	IP67
Connection system	Schraubklemme
Construction type	Built-up device plug
Angle of plug	Straight
Material	Plastic



[www.manufacturer-safety.info](http://www.manufacturer-safety.info)