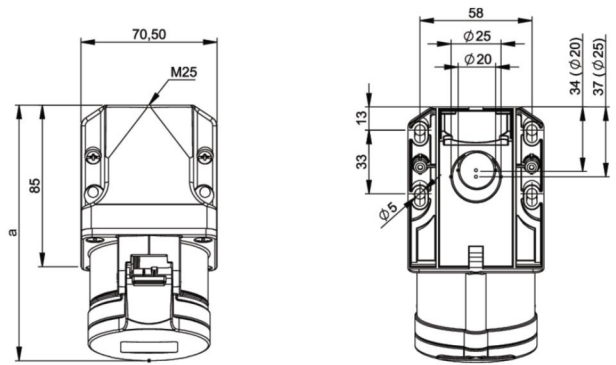


# PCE data sheet

article#	<b>114-2k</b>
article description	<b>CEE wall mounted socket (compact) 16A 4p 2h IP44</b>
description long	CEE wall mounted socket (compact) 16A 4p 2h IP44 housing material: PA6 rated current: 16A number of poles: 4 (3P+PE) clock-position: 2h rated voltage/frequency: >50V~ / 300-500Hz contacts: brass connection technology: screw terminals cable entry: top and rear inc. threaded cable grommet IP protection class: IP44
GTIN (EAN)	9003399155086
country of origin	AT
customs number	85366990
net weight	0.214 kg
packaging quantity	10

ETIM 7.0	EC001321
Model	Surface mounted (plaster)
IEC-amperage	16 A
Number of poles	4
Voltage acc. EN 60309-2	50-500 V (>300-500 Hz) green
Clock hour position	2 h
Identification colour	Green
RAL-number	
Degree of protection (IP)	IP44
Connection system	Screwed terminal
Cable entry	Swivel
Material	Plastic
Contact material	CuZn
Surface finish contacts	Untreated
Type of fastening	Inner lying mounting

wire flexible	1-2,5 mm <sup>2</sup>
wire solid	1-4 mm <sup>2</sup>
contact screws	100 Ncm
dismantling length	50 mm
stripping length	10-12 mm



[www.manufacturer-safety.info](http://www.manufacturer-safety.info)