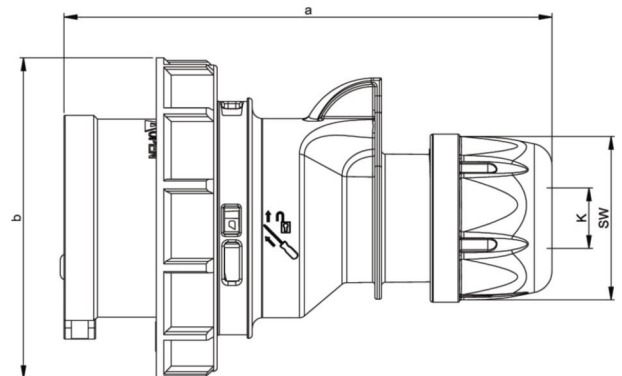


PCE data sheet

| | |
|---------------------|--|
| article# | 0272-6v |
| article description | CEE-plug 32A 7p 6h IP66/IP67 SHARK |
| description long | CEE-plug 32A 7p 6h IP66/IP67 SHARK housing material: PA6 rated current: 32A number of poles: 7 (6P+PE) clock-position: 6h rated voltage/frequency: 380-415V~ / 50+60Hz contacts: brass nickel plated connection technology: screw terminals IP protection class: IP66/IP67 |
| GTIN (EAN) | 9003399008788 |
| country of origin | AT |
| customs number | 85366990 |
| net weight | 0.329 kg |
| packaging quantity | 10 |

| | |
|---------------------------|----------------------|
| ETIM 7.0 | EC000140 |
| IEC-amperage | 32 A |
| Number of poles | 7 |
| Voltage acc. EN 60309-2 | 400 V (50+60 Hz) red |
| Clock hour position | 6 h |
| Identification colour | Red |
| Degree of protection (IP) | IP67 |
| Connection system | Screwed terminal |
| Cable entry | Swivel |
| Angle of plug | Straight |
| Material | Plastic |



www.manufacturer-safety.info