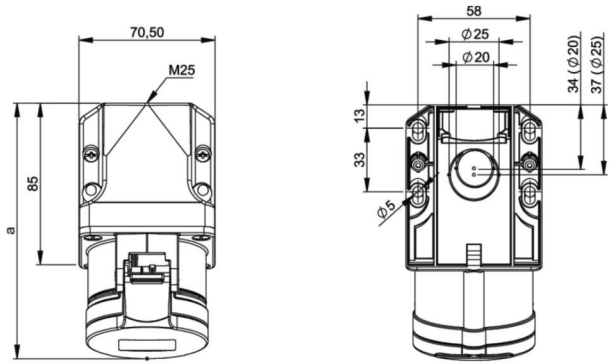


PCE data sheet

|                     |   |
|---------------------|---|
| article#            | <b>117-6v</b>   |
| article description | <b>CEE-wall mounted socket 16A 7p 6h IP44/IP54</b>  |
| description long    | CEE-wall mounted socket 16A 7p 6h IP44/IP54<br>housing material: PA6<br>rated current: 16A<br>number of poles: 7 (6P+PE)<br>clock-position: 6h<br>rated voltage/frequency: 380-415V~ / 50+60Hz<br>contacts: brass nickel plated<br>connection technology: screw terminals<br>IP protection class: IP44/IP54 |
| GTIN (EAN)          | 9003399020568   |
| country of origin   | AT  |
| customs number      | 85366990  |
| net weight          | 0.261 kg  |
| packaging quantity  | 10  |

|                           |                      |
|---------------------------|----------------------|
| ETIM 7.0                  | EC001321             |
| IEC-amperage              | 16 A                 |
| Number of poles           | 7                    |
| Voltage acc. EN 60309-2   | 400 V (50+60 Hz) red |
| Clock hour position       | 6 h                  |
| Identification colour     | Red                  |
| Degree of protection (IP) | IP54                 |
| Connection system         | Schraubklemme        |
| Cable entry               | Verschraubung        |
| Material                  | Plastic              |
| Type of fastening         | External mounting    |
| Insulated mounting        | True                 |



b=Höhe/height  
Neigung/angle=15°



[www.manufacturer-safety.info](http://www.manufacturer-safety.info)